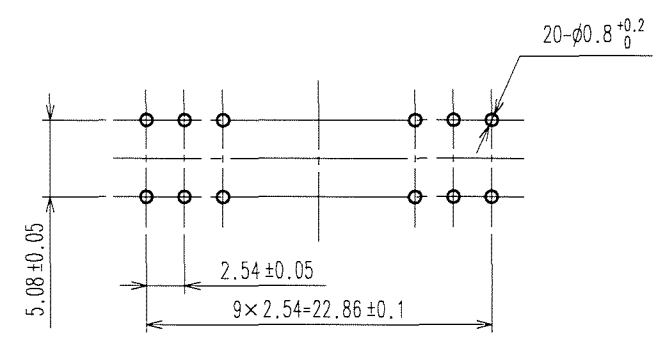
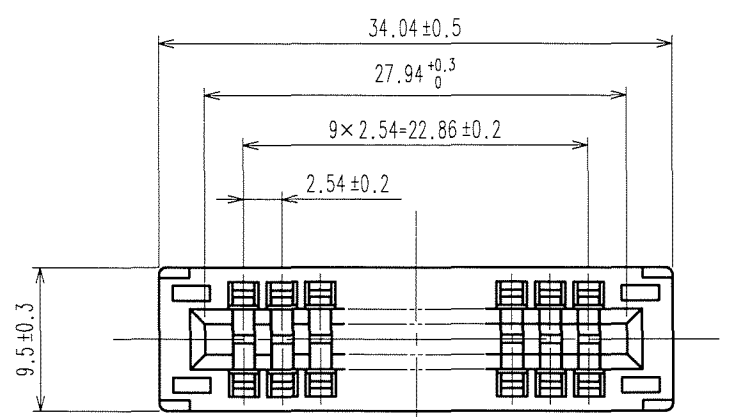
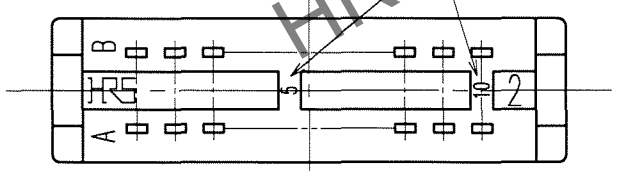
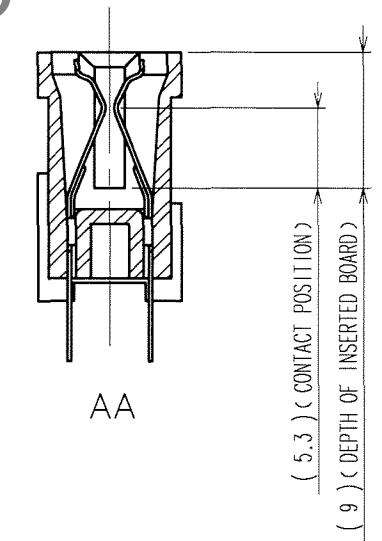
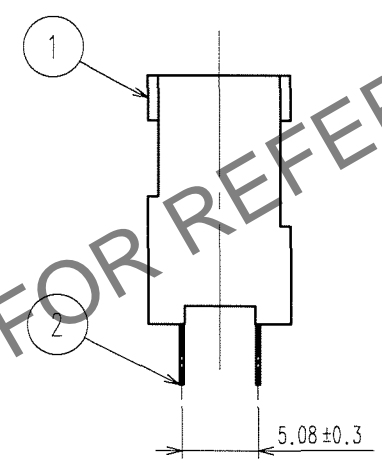
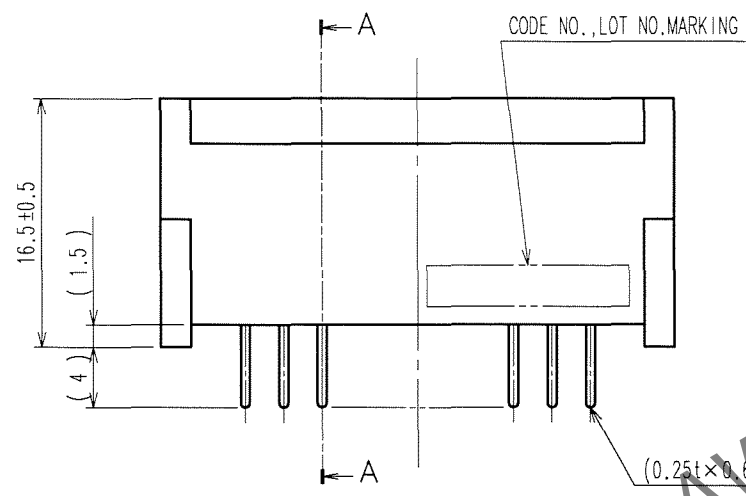


Jan.1.2025 Copyright 2025 HIROSE ELECTRIC CO., LTD. All Rights Reserved.
In case of consideration for using Automotive equipment / device which demand high reliability, kindly contact our sales window correspondents.

COUNT	DESCRIPTION OF REVISIONS	BY	CHKD	DATE	COUNT	DESCRIPTION OF REVISIONS	BY	CHKD	DATE
△				..	△				..
△				..	△				..
△				..	△				..



RECOMMENDED PC BOARD HOLE PATTERN(t=1.6±0.1)



NOTE 1 CONTACT NO. (5, 10)
2 A POLARIZING KEY INSERTED BETWEEN THE FOLLOWING CONTACT POSITIONS. (3~4), (8~9)

2	PHOSPHOR BRONZE	CONTACT AREA: Ni2.5μm+Au0.05μm
		DIP AREA: Ni2.5μm+Sn2μm
1	PBT	BLACK UL94V-0
NO.	MATERIAL	FINISH, REMARKS

CODE NO. (OLD) CL	DRAWN H.Sugimura 07.05.17	DESIGNED H.Sugimura 07.05.17	CHECKED <i>S. Tomikida</i> 07.05.18	APPROVED <i>K. Higashimura</i> 07.05.18	RELEASED ..
DRAWING NO. EDC3-018702-01		PART NO. CR22A-20D-2.54DS(70)			
SCALE 2 : 1		CODE NO. CL522-0064-1-70			1/1
UNITS mm		HRS HIROSE ELECTRIC CO., LTD			

TO
PCK