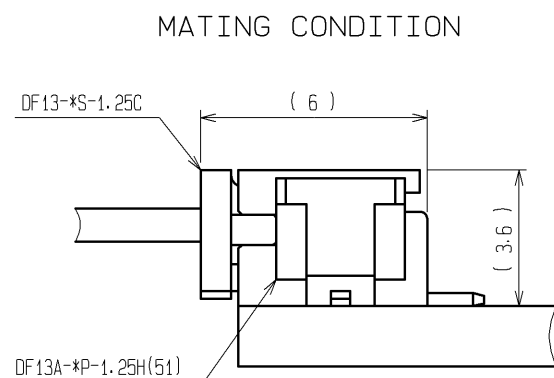
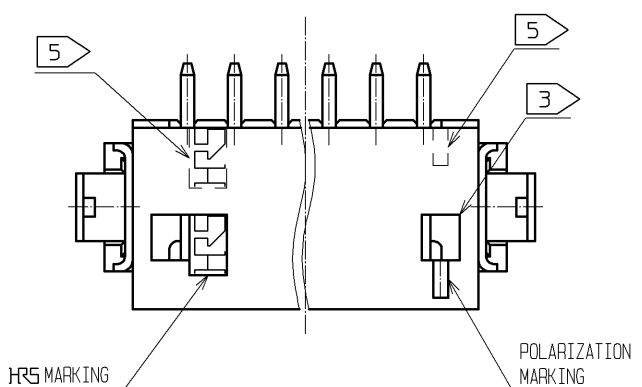
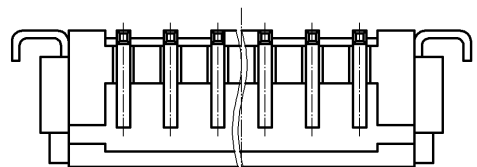
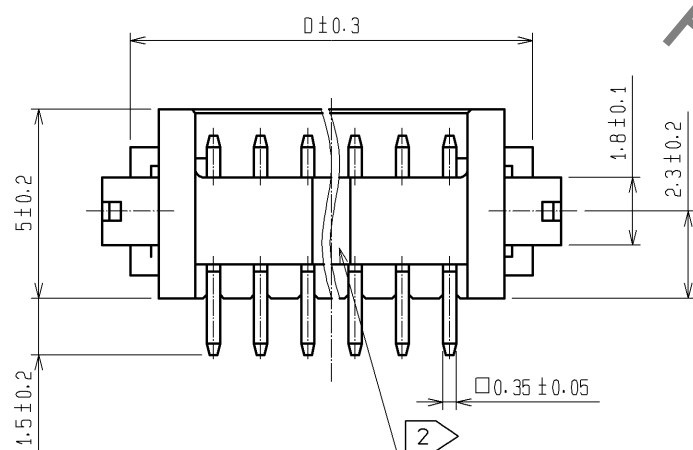
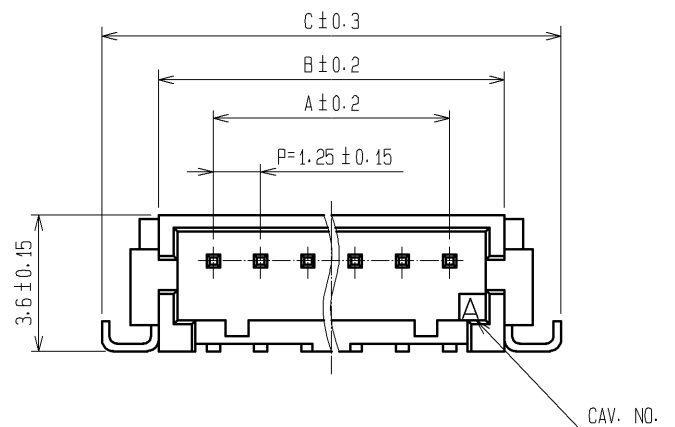


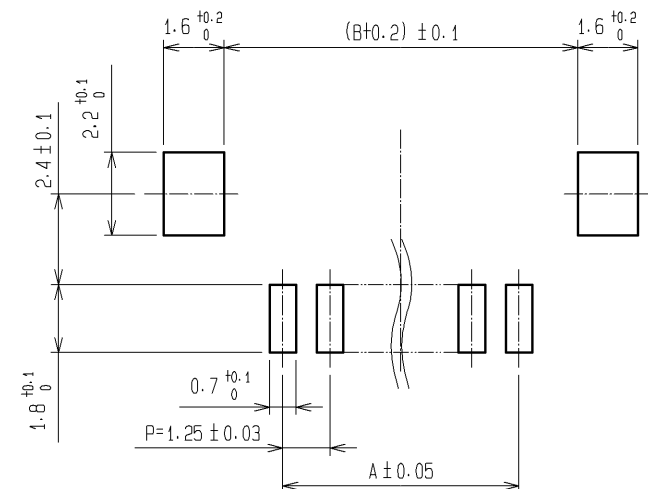
Nov.1.2022 Copyright 2022 HIROSE ELECTRIC CO., LTD. All Rights Reserved.
In case of consideration for using Automotive equipment / device which demand high reliability, kindly contact our sales window correspondents.



HRS DRAWING FOR REFERENCE

CODE No.	PARTS No.	NUMBER OF CONTACT	A	B	C	D
CL536-0301-8-51	DF13A- 2P-1.25H(51)	2	1.25	4.15	7.15	5.65
CL536-0302-0-51	DF13A- 3P-1.25H(51)	3	2.50	5.40	8.40	6.90
CL536-0303-3-51	DF13A- 4P-1.25H(51)	4	3.75	6.65	9.65	8.15
CL536-0304-6-51	DF13A- 5P-1.25H(51)	5	5.00	7.90	10.90	9.40
CL536-0305-9-51	DF13A- 6P-1.25H(51)	6	6.25	9.15	12.15	10.65
CL536-0306-1-51	DF13A- 7P-1.25H(51)	7	7.50	10.40	13.40	11.90
CL536-0307-4-51	DF13A- 8P-1.25H(51)	8	8.75	11.65	14.65	13.15
CL536-0308-7-51	DF13A- 9P-1.25H(51)	9	10.00	12.90	15.90	14.40
CL536-0309-0-51	DF13A-10P-1.25H(51)	10	11.25	14.15	17.15	15.65
CL536-0310-9-51	DF13A-11P-1.25H(51)	11	12.50	15.40	18.40	16.90
CL536-0311-1-51	DF13A-12P-1.25H(51)	12	13.75	16.65	19.65	18.15
CL536-0313-7-51	DF13A-14P-1.25H(51)	14	16.25	19.15	22.15	20.65
CL536-0314-0-51	DF13A-15P-1.25H(51)	15	17.50	20.40	23.40	21.90

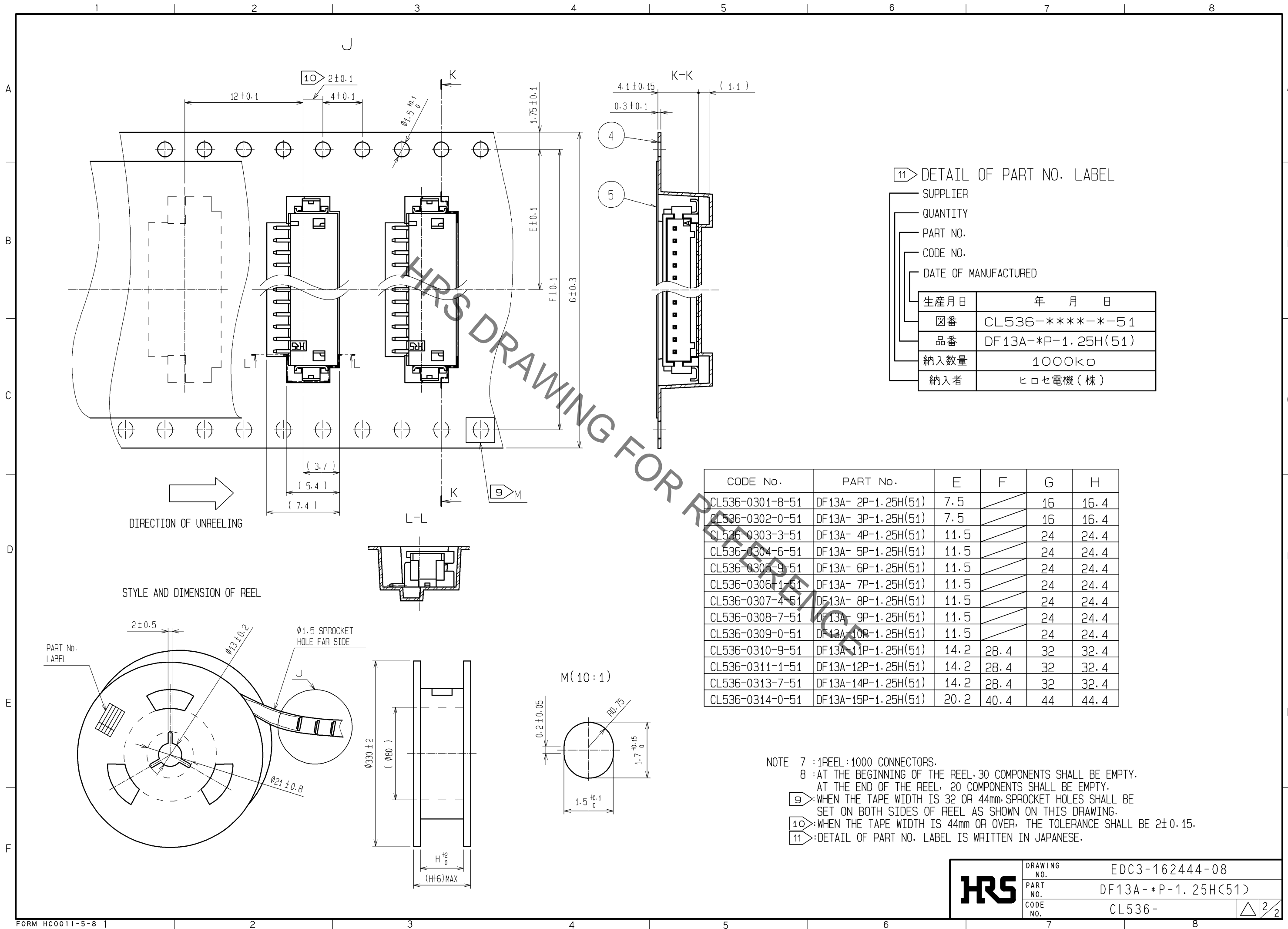
6 RECOMMENDED PATTERN



- NOTE 1 : WHEN THIS CONNECTOR MATES WITH DF13-*S-1.25C THE MATING LENGTH IS 3.6 mm.
- 2 : THERE SHALL BE STANDOFF MORE THAN FIVE CONTACTS.
- 3 : WHEN THIS CONNECTOR HAS TWO OR THREE CONTACTS, THE LOCK SHALL BE SET AT THE CENTER OF HOUSING. IF MORE THAN FOUR, THE TWO LOCKS SHALL BE SET AS SHOWN ON THIS DRAWING.
- 4 : FLATNESS OF LEAD WITH REINFORCED METAL FITTINGS SHALL BE WITHIN 0.1mm.
- 5 : WHEN THIS CONNECTOR HAS MORE THAN SEVEN CONTACTS, HRS MARKING AND POLARIZATION MARKING SHIFT TO THE PLACE INDICATING DOTTED LINES.
- 6 : RECOMMENDED METAL MASK THICKNESS: 0.15-0.2mm
OPEN AREA RATIO: 100%

3	PHOSPHOR BRONZE	SURFACE : TIN PLATED 1μm min.			
2	BRASS	SURFACE : GOLD PLATED 0.2μm min. UNDER : NICKEL PLATED 0.5μm min.	5	POLYESTER	COVER TAPE, CLEAR
1	POLYAMIDE	BEIGE (UL94V-0)	4	PS	EMBOSSED CARRIER TAPE, CLEAR
NO.	MATERIAL	FINISH, REMARKS	NO.	MATERIAL	FINISH, REMARKS
UNITS mm		SCALE 5 : 1	COUNT △	DESCRIPTION OF REVISIONS	
DESIGNED		CHECKED		DATE	
APPROVED : TS. SAKATA			09.08.21	DRAWING NO. EDC3-162444-08	
CHECKED : TS. FUKUSHIMA			09.08.21	PART NO. DF13A-*P-1.25H(51)	
DESIGNED : SN. KOBAYASHI			09.08.20	CODE NO. CL536-	
DRAWN : YK. NAKATSU			09.06.19	△ 1/2	

Nov.1.2022 Copyright 2022 HIROSE ELECTRIC CO., LTD. All Rights Reserved.
 In case of consideration for using Automotive equipment / device which demand high reliability, kindly contact our sales window correspondents.



HRS	DRAWING NO.	EDC3-162444-08
	PART NO.	DF13A-*P-1.25H(51)
	CODE NO.	CL536-

\triangle 2/2