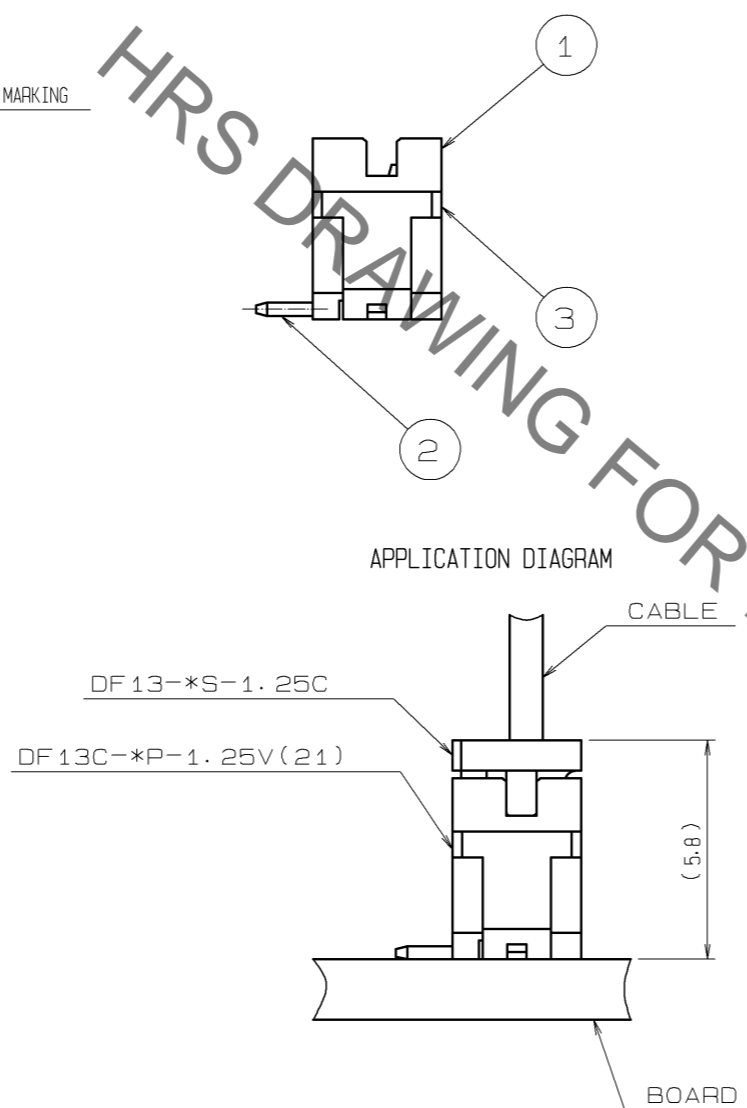
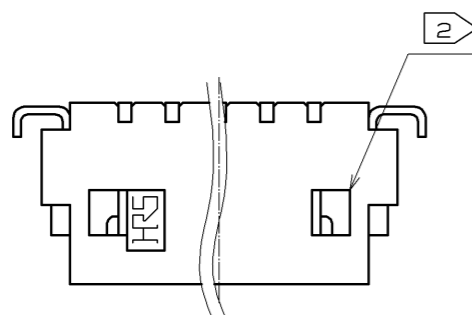
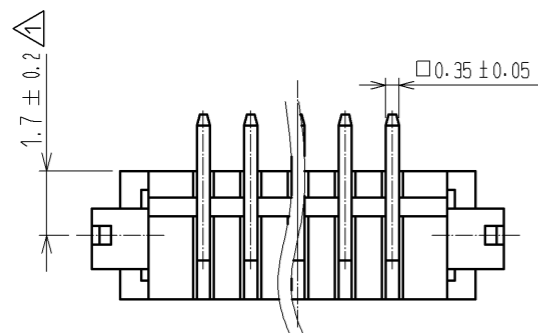
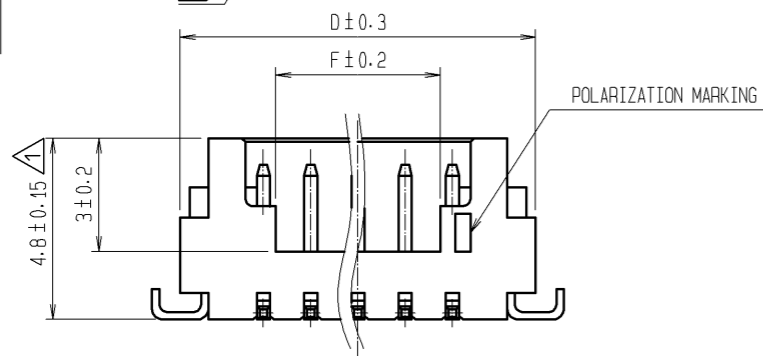
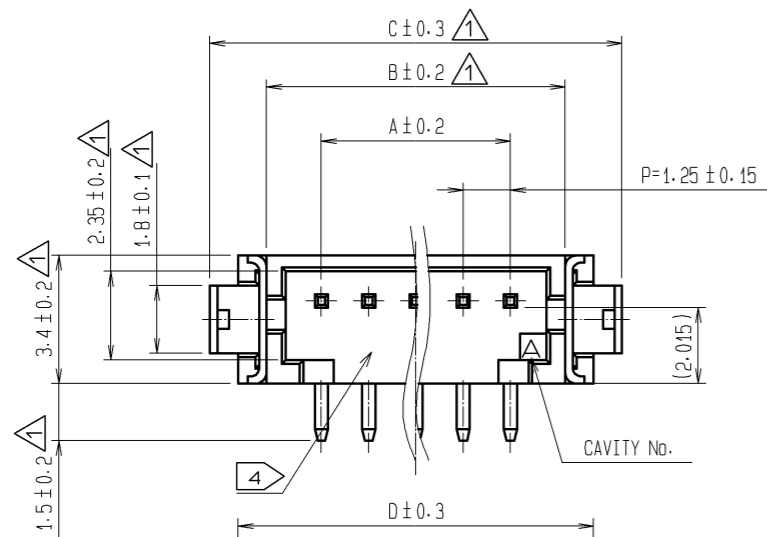
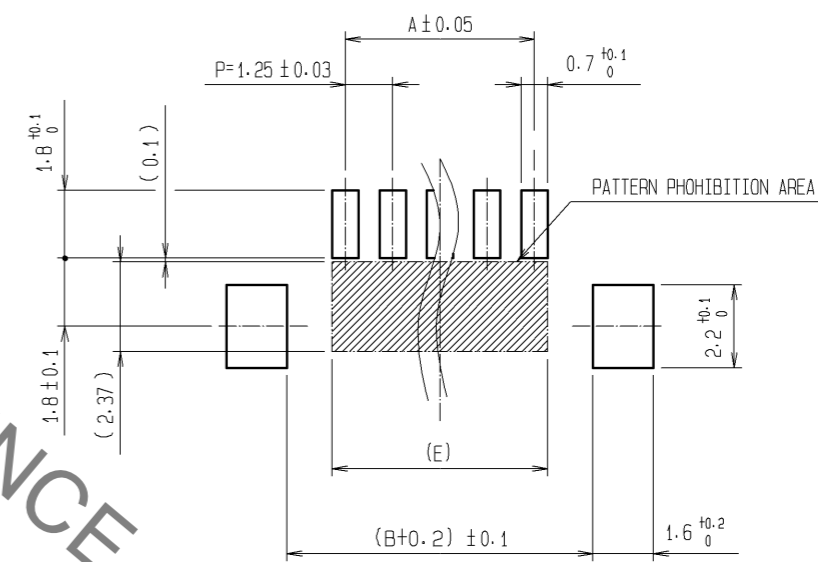


Oct.1.2021 Copyright 2021 HIROSE ELECTRIC CO., LTD. All Rights Reserved.
In case of consideration for using Automotive equipment / device which demand high reliability, kindly contact our sales window correspondents.



CODE No.	CONTACT	A	B	C	D	E	F
CL536-0401-2-21	2	1.25	4.15	7.15	5.65	1.95	2.2
CL536-0402-5-21	3	2.5	5.4	8.4	6.9	3.2	3.45
CL536-0403-8-21	4	3.75	6.65	9.65	8.15	4.45	3.1
CL536-0404-0-21	5	5.0	7.9	10.9	9.4	5.7	4.35
CL536-0405-3-21	6	6.25	9.15	12.15	10.65	6.95	5.6
CL536-0406-6-21	7	7.5	10.4	13.4	11.9	8.2	6.85
CL536-0407-9-21	8	8.75	11.65	14.65	13.15	9.45	8.1
CL536-0408-1-21	9	10.0	12.9	15.9	14.4	10.7	9.35
CL536-0409-4-21	10	11.25	14.15	17.15	15.65	11.95	10.6
CL536-0410-3-21	11	12.5	15.4	18.4	16.9	13.2	11.85
CL536-0411-6-21	12	13.75	16.65	19.65	18.15	14.45	13.1
CL536-0413-1-21	14	16.25	19.15	22.15	20.65	16.95	15.6
CL536-0414-4-21	15	17.5	20.4	23.4	21.9	18.2	16.85

RECOMMENDED PATTERN



- NOTES
- 1 WHEN THIS CONNECTOR MATES WITH DF13-*S-1.25C, THE MATING LENGTH IS 5.8mm.
 - 2 WHEN THIS CONNECTOR HAS TWO OR THREE CONTACTS, THE LOCK SHALL BE SET AT THE CENTER OF HOUSING. IF MORE THAN FOUR, THE TWO LOCKS SHALL BE SET AS SHOWN ON THIS DRAWING.
 - 3 LEAD CO-PLANARITY INCLUDING REINFORCED METAL FITTINGS SHALL BE WITHIN 0.1mm.
 - 4 AREA TO PICK AND PLACE.

NO.	MATERIAL	FINISH	REMARKS	NO.	MATERIAL	FINISH	REMARKS
3	PHOSPHOR BRONZE		SURFACE: TIN PLATED 1μm min.	5	POLYESTER		COVER TAPE: CLEAR
2	BRASS		SURFACE: TIN PLATED 1μm min.	4	PS		EMBOSSED CARRIER TAPE: CLEAR
1	POLYAMIDE		UL94V-0, (BEIGE)				

UNITS	mm	SCALE	5 : 1	COUNT	8	DESCRIPTION OF REVISIONS	DESIGNED	CHECKED	DATE
						DIS-H-005399	TS. KUMAZAWA	HK. UMEHARA	10.12.14
APPROVED		TY. OMA		05.10.31		DRAWING NO.		EDC3-083672-03	
CHECKED		HK. UMEHARA		05.10.31		PART NO.		DF13C-*P-1.25V(21)	
DESIGNED		TS. KUMAZAWA		05.10.31		CODE NO.		CL536-	
DRAWN		AK. MIURA		05.10.27					

