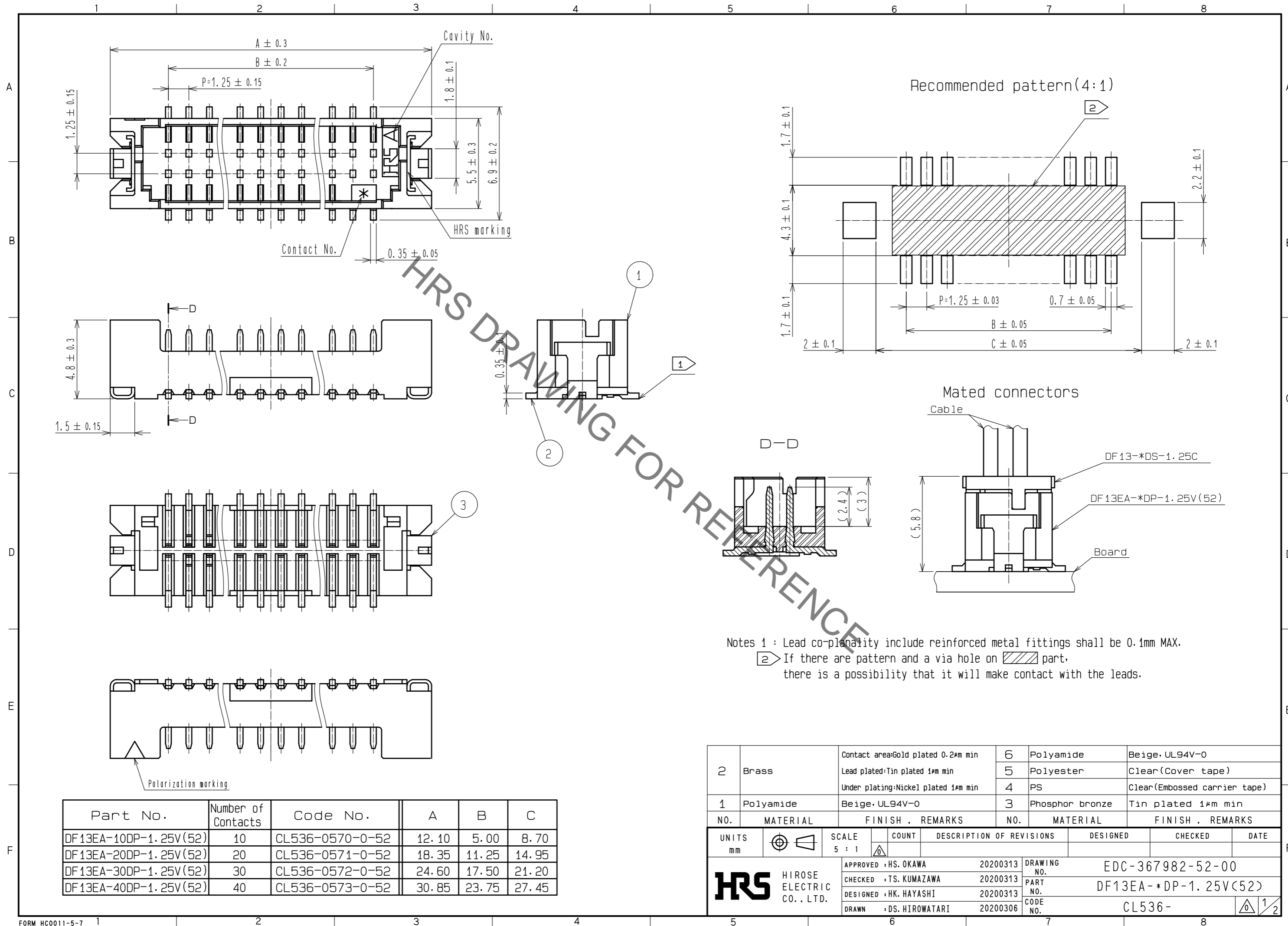
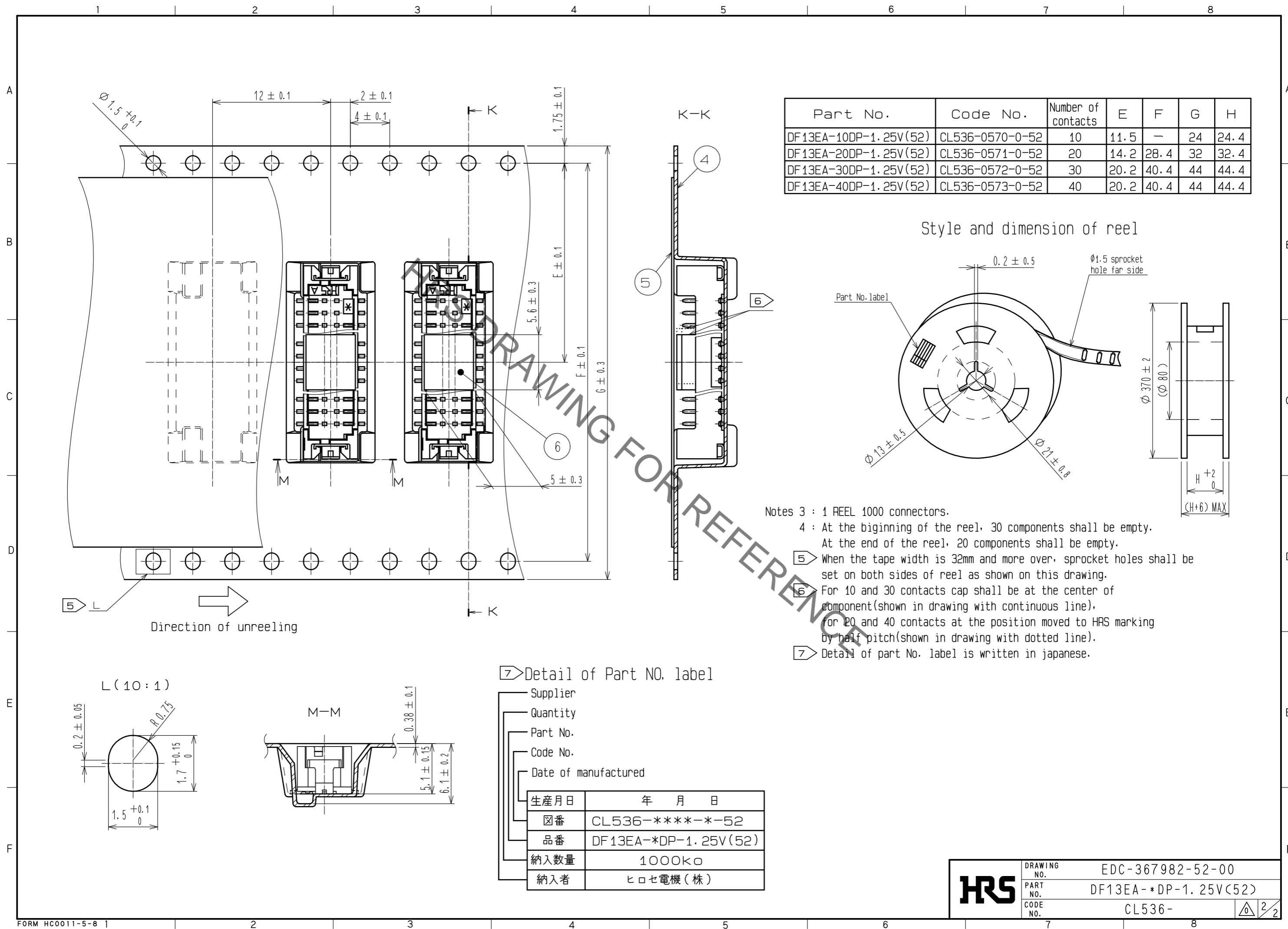


Aug.1.2021 Copyright 2021 HIROSE ELECTRIC CO., LTD. All Rights Reserved.
 In case of consideration for using Automotive equipment / device which demand high reliability, kindly contact our sales window correspondents.

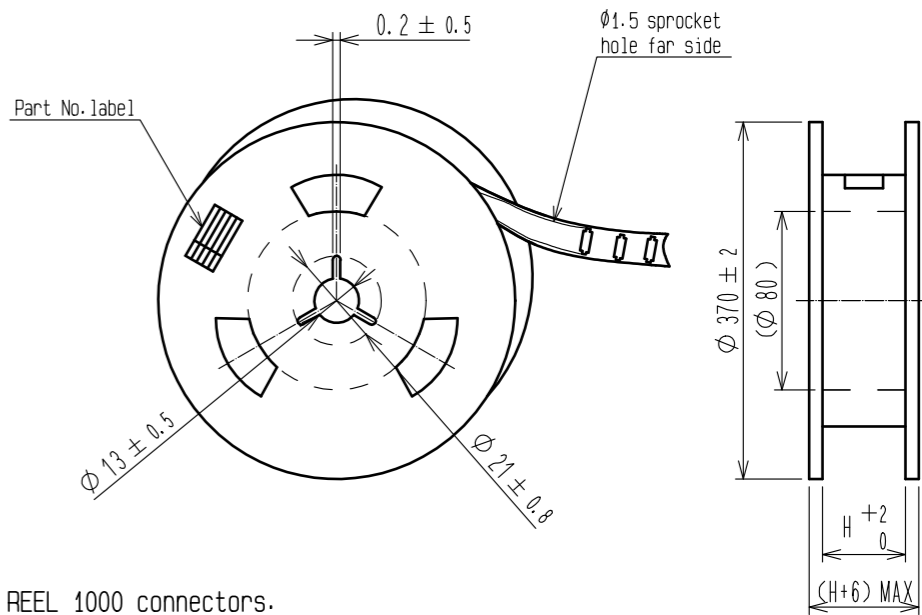


Aug.1.2021 Copyright 2021 HIROSE ELECTRIC CO., LTD. All Rights Reserved.
 In case of consideration for using Automotive equipment / device which demand high reliability, kindly contact our sales window correspondents.



Part No.	Code No.	Number of contacts	E	F	G	H
DF13EA-10DP-1.25V(52)	CL536-0570-0-52	10	11.5	—	24	24.4
DF13EA-20DP-1.25V(52)	CL536-0571-0-52	20	14.2	28.4	32	32.4
DF13EA-30DP-1.25V(52)	CL536-0572-0-52	30	20.2	40.4	44	44.4
DF13EA-40DP-1.25V(52)	CL536-0573-0-52	40	20.2	40.4	44	44.4

Style and dimension of reel



- Notes 3 : 1 REEL 1000 connectors.
 4 : At the beginning of the reel, 30 components shall be empty.
 At the end of the reel, 20 components shall be empty.
 5 : When the tape width is 32mm and more over, sprocket holes shall be set on both sides of reel as shown on this drawing.
 6 : For 10 and 30 contacts cap shall be at the center of component (shown in drawing with continuous line),
 for 20 and 40 contacts at the position moved to HRS marking by half pitch (shown in drawing with dotted line).
 7 : Detail of part No. label is written in Japanese.

7 Detail of Part NO. label

Supplier	
Quantity	
Part No.	
Code No.	
Date of manufactured	
生産月日	年 月 日
図番	CL536-****-*-52
品番	DF13EA-*DP-1.25V(52)
納入数量	1000K \square
納入者	ヒロセ電機(株)

HRS	DRAWING NO.	EDC-367982-52-00
	PART NO.	DF13EA-*DP-1.25V(52)
	CODE NO.	CL536-