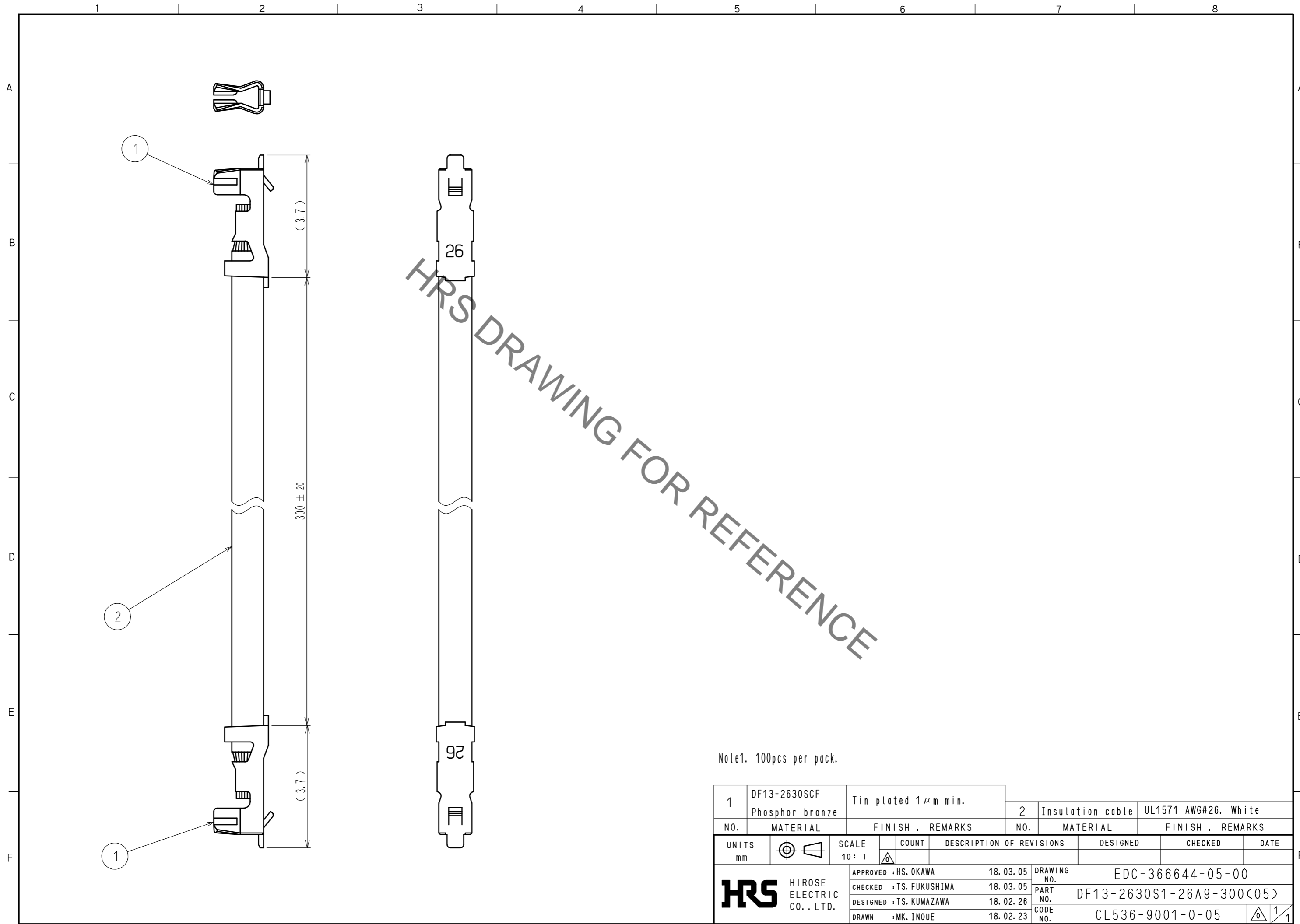


Aug.1.2021 Copyright 2021 HIROSE ELECTRIC CO., LTD. All Rights Reserved.
 In case of consideration for using Automotive equipment / device which demand high reliability, kindly contact our sales window correspondents.



Note1. 100pcs per pack.

1	DF13-2630SCF Phosphor bronze	Tin plated 1μm min.	2	Insulation cable	UL1571 AWG#26. White
NO.	MATERIAL	FINISH . REMARKS	NO.	MATERIAL	FINISH . REMARKS
UNITS mm		SCALE 10:1	COUNT	DESCRIPTION OF REVISIONS	
HRS HIROSE ELECTRIC CO., LTD.	APPROVED : HS. OKAWA	18.03.05	DESIGNED	CHECKED	DATE
	CHECKED : TS. FUKUSHIMA	18.03.05	DRAWING NO. EDC-366644-05-00		
	DESIGNED : TS. KUMAZAWA	18.02.26	PART NO. DF13-2630S1-26A9-300(05)		
	DRAWN : MK. INOUE	18.02.23	CODE NO. CL536-9001-0-05		
					1/1