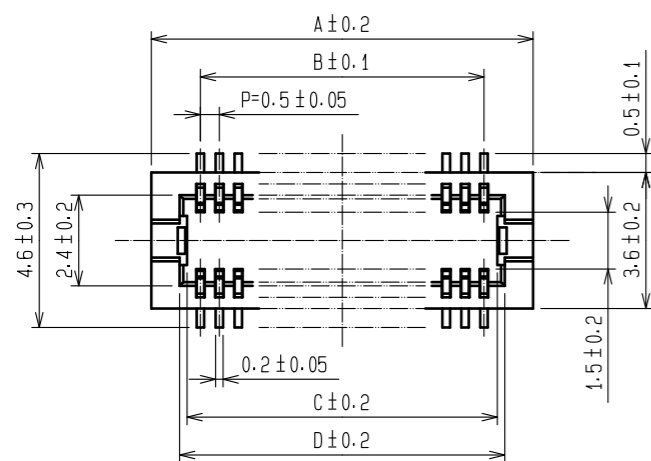
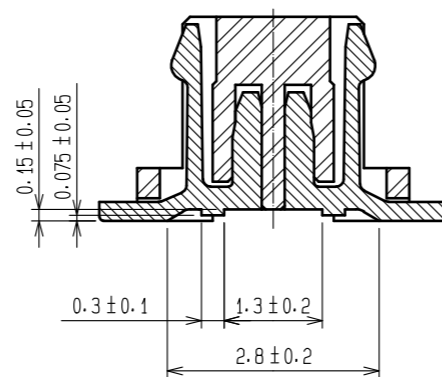


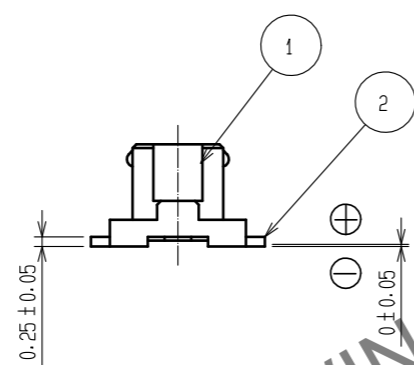
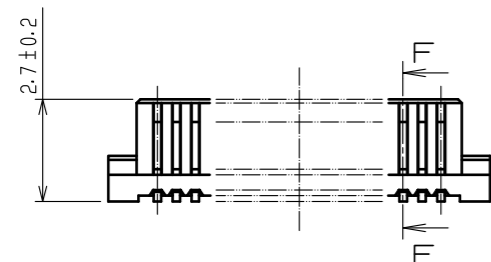
Aug.1.2023 Copyright 2023 HIROSE ELECTRIC CO., LTD. All Rights Reserved.
In case of consideration for using Automotive equipment / device which demand high reliability, kindly contact our sales window correspondents.



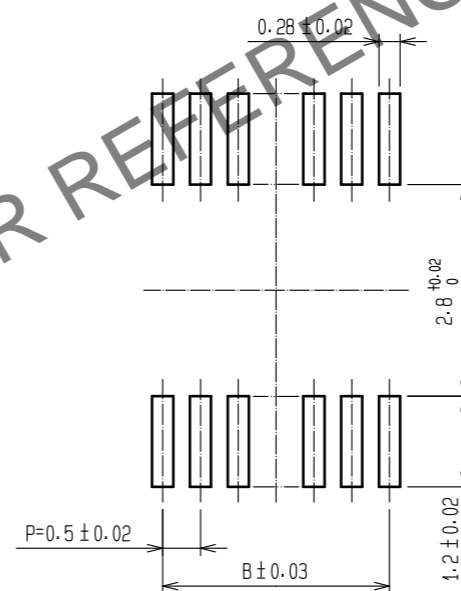
F-F (10:1)



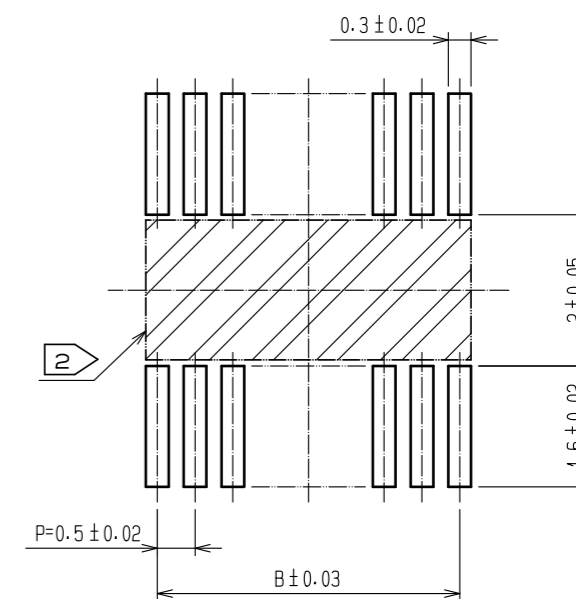
| CODE No. | CONTACT | A | B | C | D | E |
|-----------------|---------|------|------|------|------|------|
| CL537-0292-0-51 | 20 | 7.1 | 4.5 | 5.2 | 5.6 | 5.3 |
| CL537-0293-0-51 | 30 | 9.6 | 7.0 | 7.7 | 8.1 | 7.8 |
| CL537-0294-0-51 | 32 | 10.1 | 7.5 | 8.2 | 8.6 | 8.3 |
| CL537-0295-0-51 | 36 | 11.1 | 8.5 | 9.2 | 9.6 | 9.3 |
| CL537-0296-0-51 | 40 | 12.1 | 9.5 | 10.2 | 10.6 | 10.3 |
| CL537-0297-0-51 | 50 | 14.6 | 12.0 | 12.7 | 13.1 | 12.8 |
| CL537-0298-0-51 | 60 | 17.1 | 14.5 | 15.2 | 15.6 | 15.3 |



RECOMMEND METAL MASK PATTERN (10:1)



RECOMMENDED LAND PATTERN (10:1)

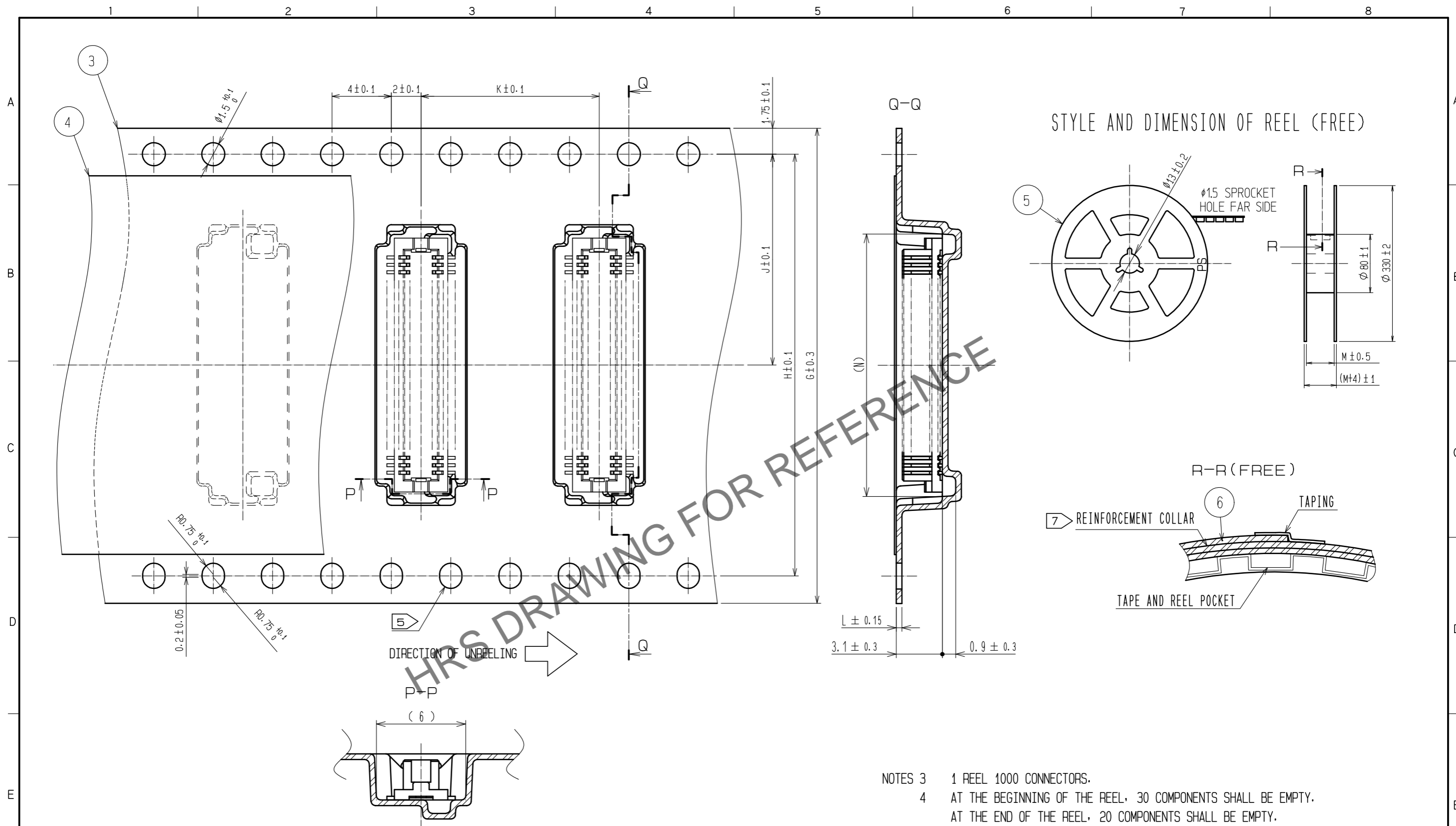


METAL MASK THICKNESS : 120 μm

NOTES 1 LEAD CO-PLANARITY SHALL BE 0.08 mm MAX.
2 IF THERE IS PATTERN ON PART, THERE IS A POSSIBILITY THAT IT WILL MAKE CONTACT WITH THE LEADS.

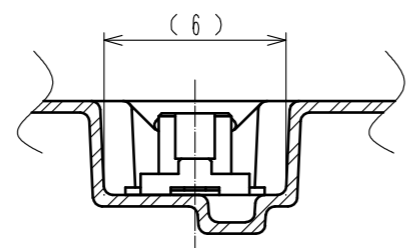
| 2 | PHOSPHOR BRONZE | CONTACT AREA:GOLD PLATED 0.2μm min | 6 | PS | CLEAR (REINFORCEMENT COLLAR) | | | |
|--------------------------------------|-----------------|---|----------|--------------------------|-------------------------------|---------------------|---------|------|
| | | LEAD AREA:GOLD PLATED 0.015μm min | 5 | PS | BLACK (PLASTIC REEL) | | | |
| | | OTHERS(UNDER PLATING):NICKEL PLATED 2μm min | 4 | POLYESTER | CLEAR (COVER TAPE) | | | |
| 1 | POLYAMIDE | UL94V-0, BLACK | 3 | PS | CLEAR (EMBOSSED CARRIER TAPE) | | | |
| NO. | MATERIAL | FINISH . REMARKS | NO. | MATERIAL | FINISH . REMARKS | | | |
| UNITS | | SCALE | COUNT | DESCRIPTION OF REVISIONS | | DESIGNED | CHECKED | DATE |
| mm | | 5 : 1 | 0 | | | | | |
| HRS HIROSE ELECTRIC CO., LTD. | | APPROVED : WR. FUKUCHI | 20200702 | DRAWING NO. | | EDC-390689-51-77 | | |
| | | CHECKED : TS. MIYAZAKI | 20200702 | PART NO. | | DF12NC-*DS-0.5V(51) | | |
| | | DESIGNED : RN. IIDA | 20200702 | CODE NO. | | CL537 | | |
| | | DRAWN : RN. IIDA | 20200702 | | | | | |

Aug.1.2023 Copyright 2023 HIROSE ELECTRIC CO., LTD. All Rights Reserved.
 In case of consideration for using Automotive equipment / device which demand high reliability, kindly contact our sales window correspondents.



HRS DRAWING FOR REFERENCE

5
 DIRECTION OF UNPEELING →



- NOTES
- 3 1 REEL 1000 CONNECTORS.
 - 4 AT THE BEGINNING OF THE REEL, 30 COMPONENTS SHALL BE EMPTY.
 AT THE END OF THE REEL, 20 COMPONENTS SHALL BE EMPTY.
 - 5 WHEN THE TAPE WIDTH IS 32 mm, SPROCKET HOLES SHALL BE SET ON BOTH SIDE OF REEL AS SHOWN ON THIS DRAWING.
 - 6 PEEL FORCE REFERS TO JIS C 0806, AND IEC 60286-3.
 - 7 AFTER PACKING, ROLL 2 METERS OF THE REINFORCEMENT COLLAR TO OUTER CIRCUMFERENCE OF TAPE AND REEL POCKET, AND TAPE DOWN AT THE END THE COLLAR.

| CODE No. | CONTACT | G | H | J | K | L | M | N |
|-----------------|---------|----|------|------|----|------|------|------|
| CL537-0292-0-51 | 20 | 16 | - | 7.5 | 12 | 0.38 | 17.5 | 9 |
| CL537-0293-0-51 | 30 | 24 | - | 11.5 | 12 | 0.38 | 25.5 | 11.5 |
| CL537-0294-0-51 | 32 | 24 | - | 11.5 | 12 | 0.30 | 25.5 | 12 |
| CL537-0295-0-51 | 36 | 24 | - | 11.5 | 8 | 0.30 | 25.5 | 12.6 |
| CL537-0296-0-51 | 40 | 24 | - | 11.5 | 12 | 0.38 | 25.5 | 14 |
| CL537-0297-0-51 | 50 | 24 | - | 11.5 | 8 | 0.30 | 25.5 | 16.1 |
| CL537-0298-0-51 | 60 | 32 | 28.4 | 14.2 | 12 | 0.30 | 33.5 | 18.6 |

| | | |
|------------|-------------|---------------------|
| HRS | DRAWING NO. | EDC-390689-51-77 |
| | PART NO. | DF12NC-*DS-0.5V(51) |
| | CODE NO. | CL537 |
| | | 2/2 |