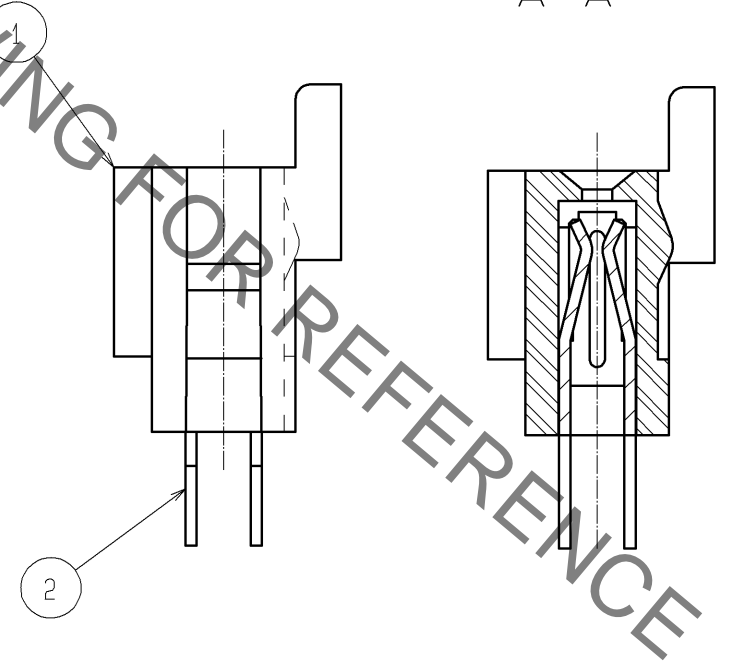
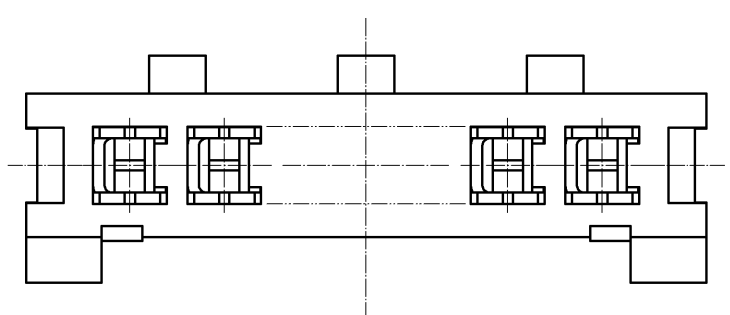
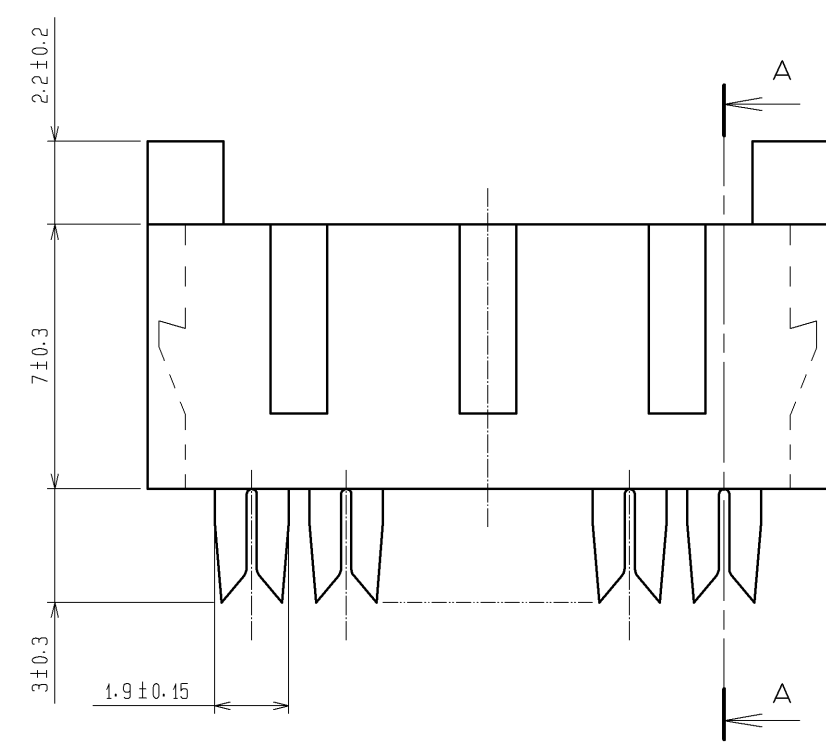
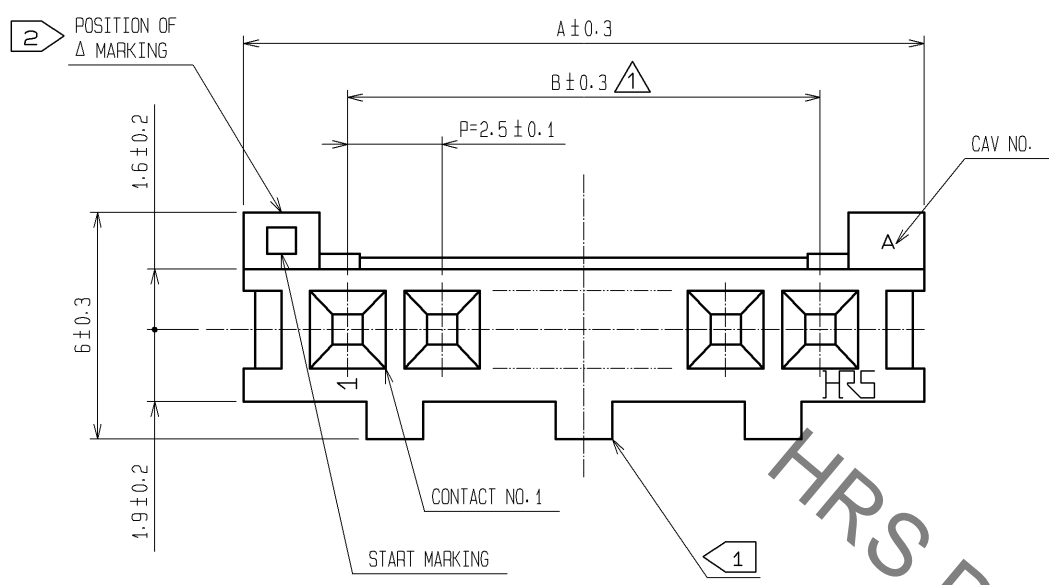


Dec.1.2021 Copyright 2021 HIROSE ELECTRIC CO., LTD. All Rights Reserved.
In case of consideration for using Automotive equipment / device which demand high reliability, kindly contact our sales window correspondents.



CODE No.	PART No.	NUMBER OF CONTACT	A	B
541-0039-2-05	DF1- 2S-2.5R24(05)	2	8.0	2.5
541-0040-1-05	DF1- 3S-2.5R24(05)	3	10.5	5.0
541-0041-4-05	DF1- 4S-2.5R24(05)	4	13.0	7.5
541-0042-7-05	DF1- 5S-2.5R24(05)	5	15.5	10.0
541-0043-0-05	DF1- 6S-2.5R24(05)	6	18.0	12.5
541-0044-2-05	DF1- 7S-2.5R24(05)	7	20.5	15.0
541-0045-5-05	DF1- 8S-2.5R24(05)	8	23.0	17.5
541-0046-8-05	DF1- 9S-2.5R24(05)	9	25.5	20.0
541-0047-0-05	DF1-10S-2.5R24(05)	10	28.0	22.5
541-0048-3-05	DF1-11S-2.5R24(05)	11	30.5	25.0
541-0049-6-05	DF1-12S-2.5R24(05)	12	33.0	27.5
541-0050-5-05	DF1-13S-2.5R24(05)	13	35.5	30.0
541-0051-8-05	DF1-14S-2.5R24(05)	14	38.0	32.5
541-0052-0-05	DF1-15S-2.5R24(05)	15	40.5	35.0
541-0053-3-05	DF1-16S-2.5R24(05)	16	43.0	37.5
541-0057-4-05	DF1-20S-2.5R24(05)	20	53.0	47.5

NOTES
 1 2 POSITION TO BE PROTRUSION AT CENTER FOR ONE LOCATION 3 TO 6 POSITIONS UNLOCATED OTHER POSITION TO BE AS SHOWN IN FIGURE.
 2 COLOR OF Δ MARKING: GREEN.
 3 APPLICABLE CABLE: UL1007 AWG24.

1	POLYAMIDE	PALE BROWN, UL94V-0	2	PHOSPHOR BRONZE	TIN PLATED 2#m min		
NO.	MATERIAL	FINISH, REMARKS	NO.	MATERIAL	FINISH, REMARKS		
UNITS mm		SCALE 5 : 1	COUNT 1	DESCRIPTION OF REVISIONS DIS-H-006064	DESIGNED MI. SAKIMURA	CHECKED HK. UMEHARA	DATE 11. 08. 05
HRS HIROSE ELECTRIC CO., LTD.		APPROVED : TY. OMA 05. 08. 11	DRAWING NO. EDC3-162345-01				
		CHECKED : HK. UMEHARA 05. 08. 11	PART NO. DF1- * S-2. 5R24(05)				
		DESIGNED : IO. DENPOUYA 05. 08. 11	CODE NO. CL541-				
		DRAWN : MK. MATSUO 05. 08. 03					