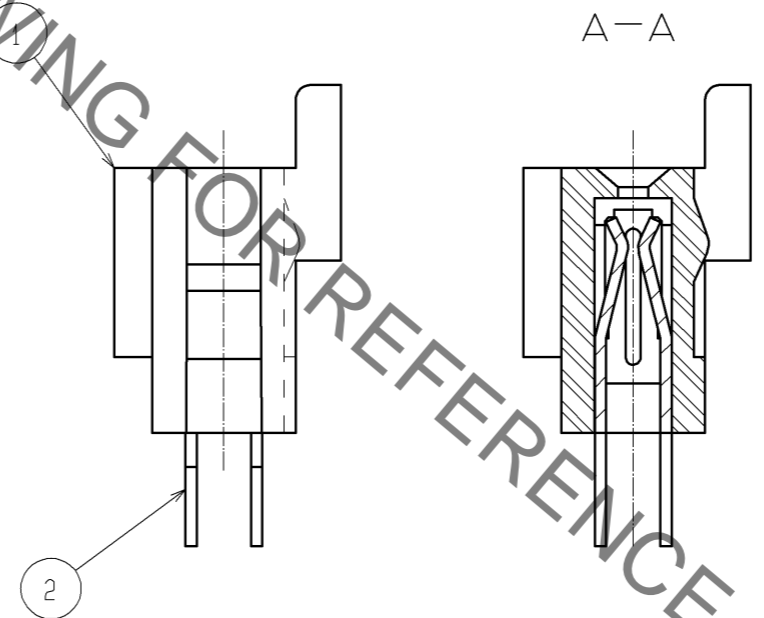
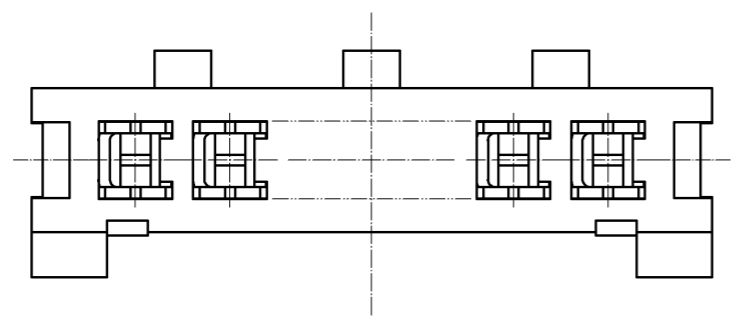
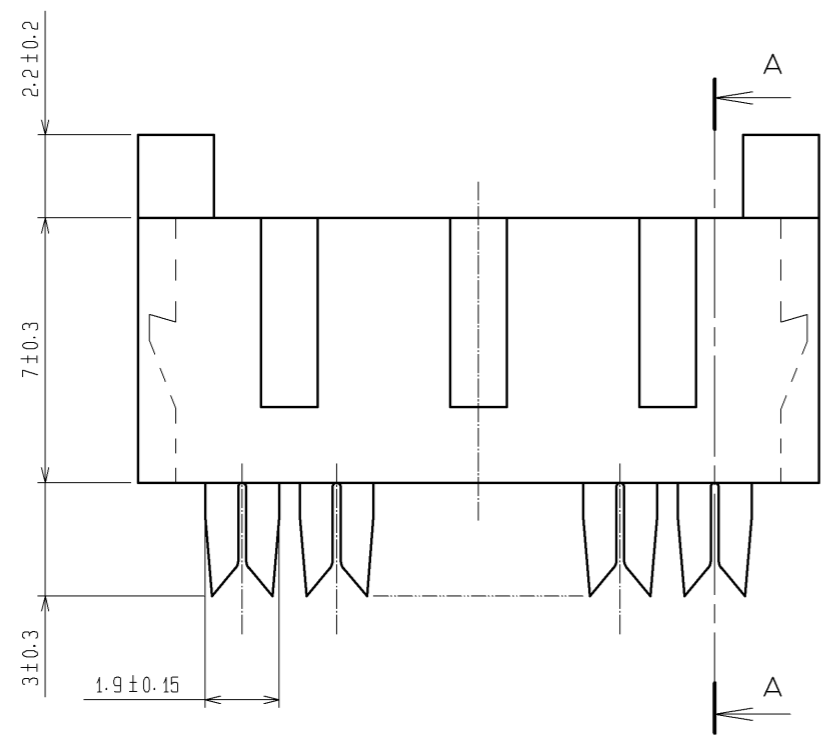
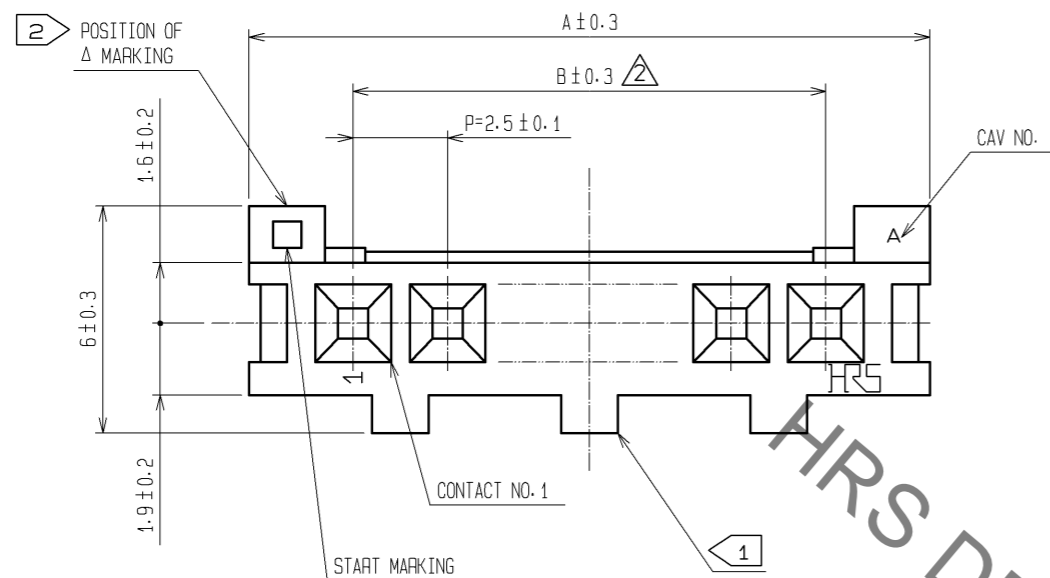


Dec.1.2021 Copyright 2021 HIROSE ELECTRIC CO., LTD. All Rights Reserved.  
In case of consideration for using Automotive equipment / device which demand high reliability, kindly contact our sales window correspondents.



CODE No.	PART No.	NUMBER OF CONTACT	A	B
541-0058-7-05	DF1- 2S-2.5R26(05)	2	8.0	2.5
541-0059-0-05	DF1- 3S-2.5R26(05)	3	10.5	5.0
541-0060-9-05	DF1- 4S-2.5R26(05)	4	13.0	7.5
541-0061-1-05	DF1- 5S-2.5R26(05)	5	15.5	10.0
541-0062-4-05	DF1- 6S-2.5R26(05)	6	18.0	12.5
541-0063-7-05	DF1- 7S-2.5R26(05)	7	20.5	15.0
541-0064-0-05	DF1- 8S-2.5R26(05)	8	23.0	17.5
541-0065-2-05	DF1- 9S-2.5R26(05)	9	25.5	20.0
541-0066-5-05	DF1-10S-2.5R26(05)	10	28.0	22.5
541-0067-8-05	DF1-11S-2.5R26(05)	11	30.5	25.0
541-0068-0-05	DF1-12S-2.5R26(05)	12	33.0	27.5
541-0069-3-05	DF1-13S-2.5R26(05)	13	35.5	30.0
541-0070-2-05	DF1-14S-2.5R26(05)	14	38.0	32.5
541-0071-5-05	DF1-15S-2.5R26(05)	15	40.5	35.0
541-0072-8-05	DF1-16S-2.5R26(05)	16	43.0	37.5
541-0076-9-05	DF1-20S-2.5R26(05)	20	53.0	47.5

NOTES ① 2 POSITION TO BE PROTRUSION AT CENTER FOR ONE LOCATION 3 TO 6 POSITIONS UNLOCATED OTHER POSITION TO BE AS SHOWN IN FIGURE.  
② COLOR OF Δ MARKING: BLUE.  
③ APPLICABLE CABLE: UL 1007 AWG26.

1	POLYAMIDE	PALE BROWN, UL94V-0	2	PHOSPHOR BRONZE	SURFACE PLATING: TIN PRATING 2μm min
NO.	MATERIAL	FINISH, REMARKS	NO.	MATERIAL	FINISH, REMARKS
UNITS mm		SCALE 5 : 1	COUNT 1	DESCRIPTION OF REVISIONS DIS-H-006064	DESIGNED MI. SAKIMURA
<b>HRS</b> HIROSE ELECTRIC CO., LTD.		APPROVED : TY. OMA 05.12.28	DESIGNED	CHECKED	DATE
		CHECKED : HK. UMEHARA 05.12.28	MI. SAKIMURA	HK. UMEHARA	11.08.05
		DESIGNED : NS. HIROSE 05.12.27	DRAWING NO.	EDC3-162344-01	
		DRAWN : AK. MIURA 05.12.27	PART NO.	DF1-*S-2.5R26(05)	
			CODE NO.	CL541-	