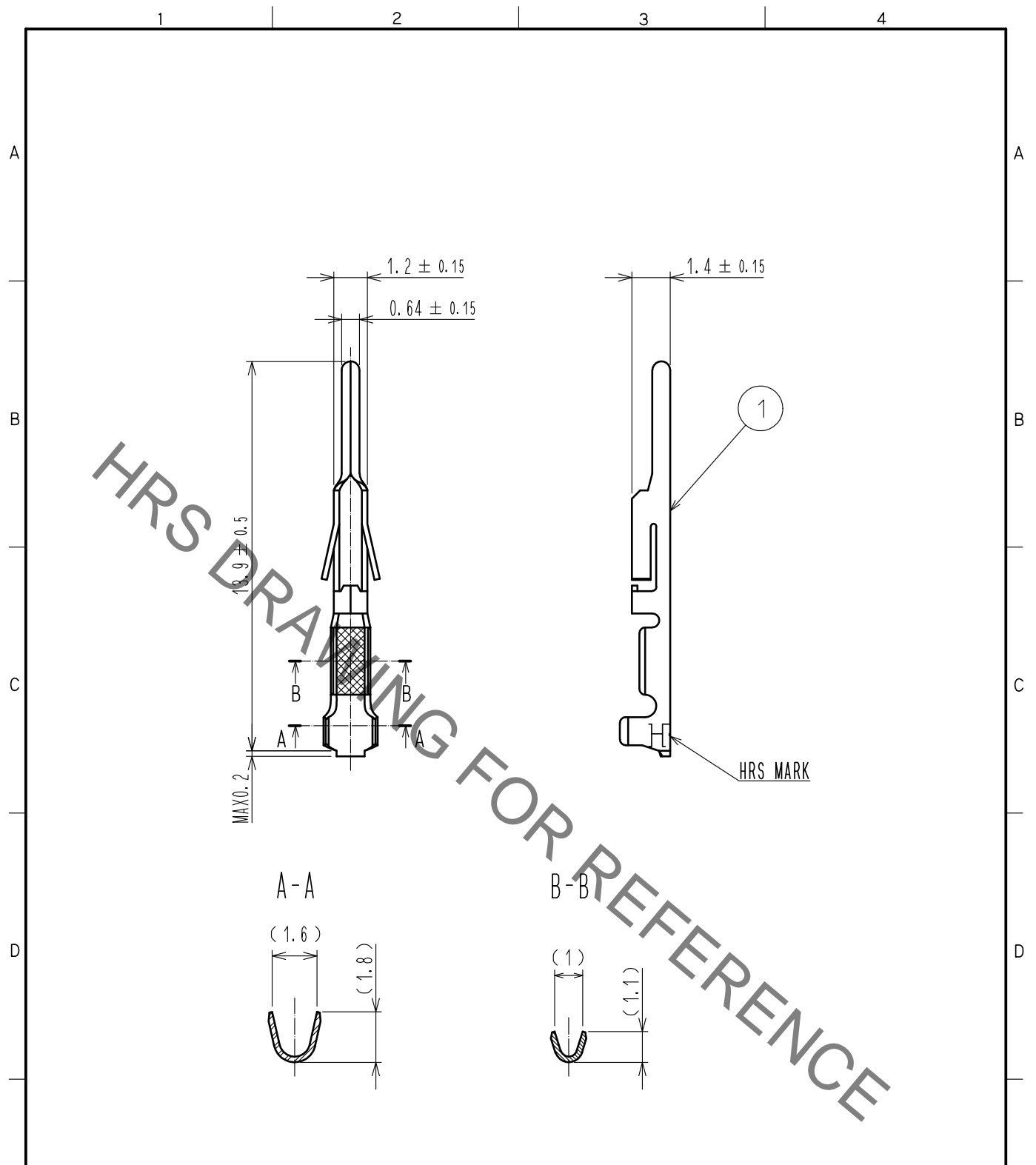


Dec.1.2022 Copyright 2022 HIROSE ELECTRIC CO., LTD. All Rights Reserved.
 In case of consideration for using Automotive equipment / device which demand high reliability, kindly contact our sales window correspondents.



HRS DRAWING FOR REFERENCE

NOTES 1: APPLICABLE CABLE : AWG30
 2: 1 PACK 100 PEICES.

NO.		MATERIAL		FINISH . REMARKS		1		PHOSPHOR BRONZE		TIN PLATED 1μm min	
UNITS mm		SCALE 5 : 1		COUNT		DESCRIPTION OF REVISIONS		DESIGNED		CHECKED	
HIROSE ELECTRIC CO., LTD.		APPROVED : S.J. OKAMURA		20210712		DRAWING NO.		EDC-081077-00-01			
		CHECKED : SZ. ONO		20210712		PART NO.		DF1B-30PC			
		DESIGNED : KT. NUMATA		20210709		CODE NO.		CL0541-0687-2-00			
		DRAWN : YK. MITSUISHI		20210706							