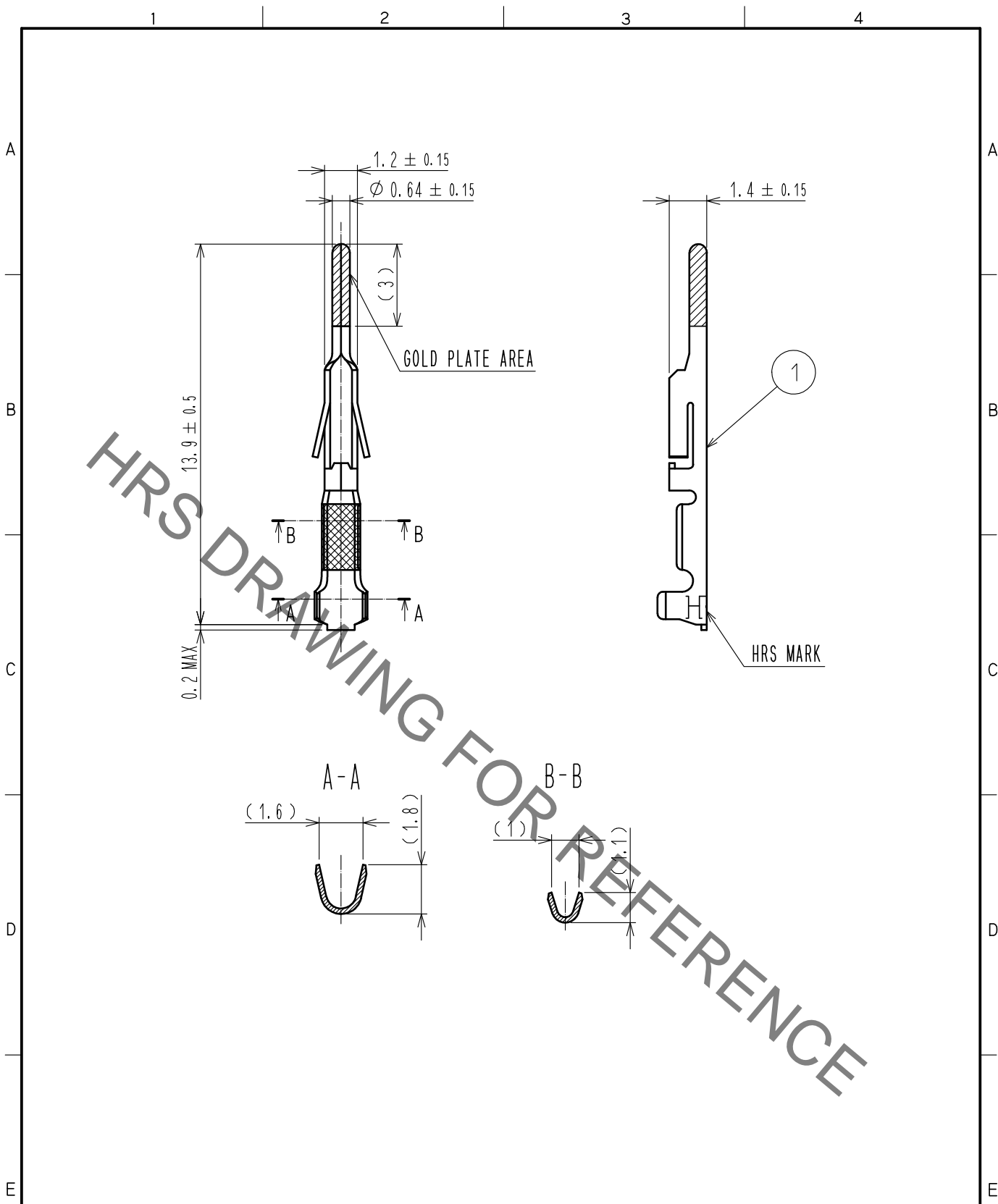


Jun.1.2022 Copyright 2022 HIROSE ELECTRIC CO., LTD. All Rights Reserved.
In case of consideration for using Automotive equipment / device which demand high reliability, kindly contact our sales window correspondents.



NOTE 1. APPLICABLE CABLE : AWG#30

NO.		MATERIAL		FINISH . REMARKS		NO.		MATERIAL		FINISH . REMARKS			
		1		PHOSPHOR BRONZE				Contact Area : Gold Plating 0.2μm min		Other Area : Nickel Plating 1μm min			
UNITS mm		SCALE 5 : 1		COUNT		DESCRIPTION OF REVISIONS		DESIGNED		CHECKED		DATE	
HRS HIROSE ELECTRIC CO., LTD.		APPROVED : S.J. OKAMURA		20210712		DRAWING NO.		EDC-081079-00-01					
		CHECKED : SZ. ONO		20210712		PART NO.		DF1B-30PCB					
		DESIGNED : KT. NUMATA		20210709		CODE NO.		CL0541-0689-8-00					
		DRAWN : YK. MITSUISHI		20210706								1/1	