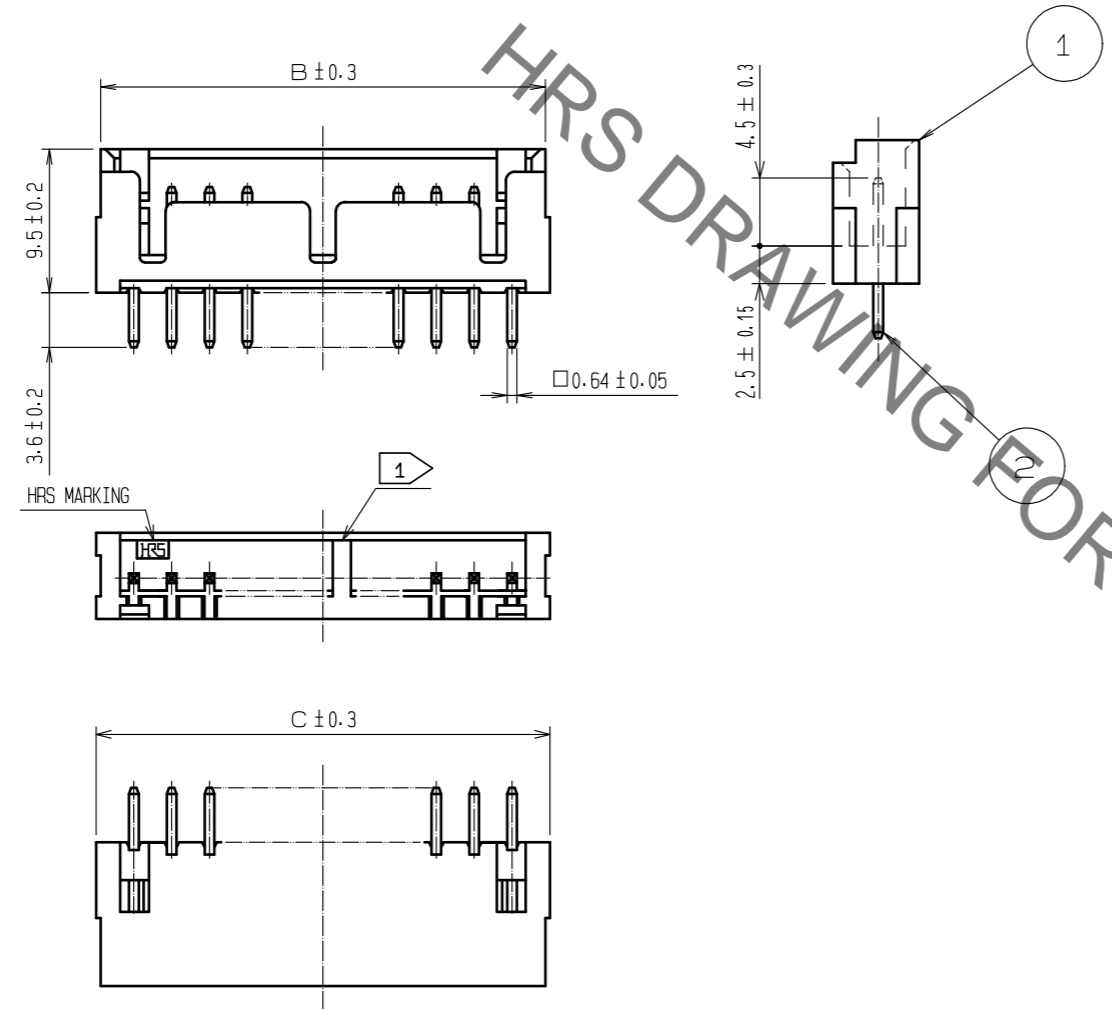
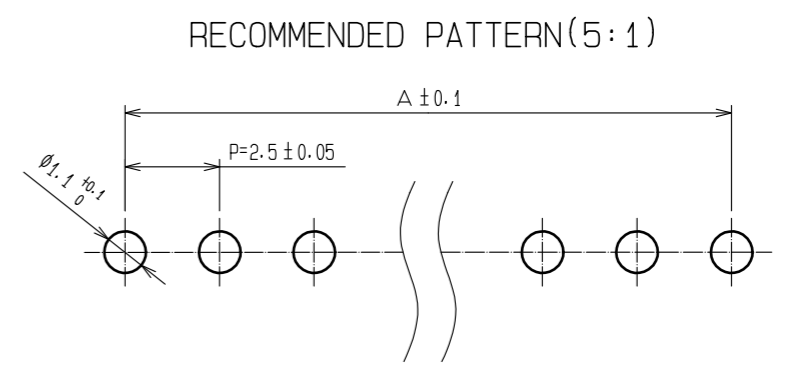
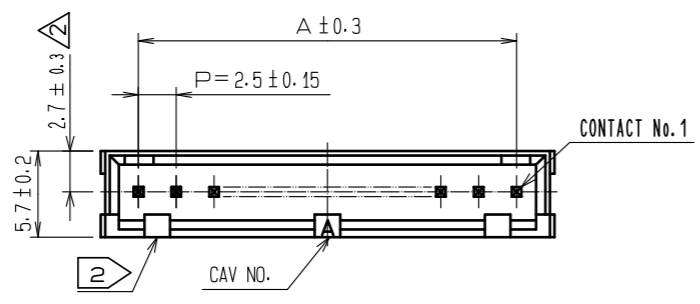


Feb.1.2021 Copyright 2021 HIROSE ELECTRIC CO., LTD. All Rights Reserved.
In case of consideration for using Automotive equipment / device which demand high reliability, kindly contact our sales window correspondents.



HRS DRAWING FOR REFERENCE

| PART NO. | CODE NO. | CONTACT NO. | A | B | C |
|------------------|--------------|-------------|------|------|------|
| DF1BZ- 2P-2.5DSA | CL541-2000-8 | 2 | 2.5 | 6.9 | 7.5 |
| DF1BZ- 3P-2.5DSA | CL541-2001-0 | 3 | 5.0 | 9.4 | 10.0 |
| DF1BZ- 4P-2.5DSA | CL541-2002-3 | 4 | 7.5 | 11.9 | 12.5 |
| DF1BZ- 5P-2.5DSA | CL541-2003-6 | 5 | 10.0 | 14.4 | 15.0 |
| DF1BZ- 6P-2.5DSA | CL541-2004-9 | 6 | 12.5 | 16.9 | 17.5 |
| DF1BZ- 7P-2.5DSA | CL541-2005-1 | 7 | 15.0 | 19.4 | 20.0 |
| DF1BZ- 8P-2.5DSA | CL541-2006-4 | 8 | 17.5 | 21.9 | 22.5 |
| DF1BZ- 9P-2.5DSA | CL541-2007-7 | 9 | 20.0 | 24.4 | 25.0 |
| DF1BZ-10P-2.5DSA | CL541-2008-0 | 10 | 22.5 | 26.9 | 27.5 |
| DF1BZ-11P-2.5DSA | CL541-2009-2 | 11 | 25.0 | 29.4 | 30.0 |
| DF1BZ-12P-2.5DSA | CL541-2010-1 | 12 | 27.5 | 31.9 | 32.5 |
| DF1BZ-13P-2.5DSA | CL541-2011-4 | 13 | 30.0 | 34.4 | 35.0 |
| DF1BZ-14P-2.5DSA | CL541-2012-7 | 14 | 32.5 | 36.9 | 37.5 |
| DF1BZ-15P-2.5DSA | CL541-2013-0 | 15 | 35.0 | 39.4 | 40.0 |
| DF1BZ-16P-2.5DSA | CL541-2014-2 | 16 | 37.5 | 41.9 | 42.5 |
| DF1BZ-18P-2.5DSA | CL541-2015-5 | 18 | 42.5 | 46.9 | 47.5 |
| DF1BZ-20P-2.5DSA | CL541-2016-8 | 20 | 47.5 | 51.9 | 52.5 |

NOTES 1: WHEN THE NUMBERS OF CONTACTS IS ODD.
THE STAND-OFF SHIFTS 1.25 RIGHTWARD.
(STAND-OFF AVAILABLE FROM 4 POSITIONS UP.)
2: 2 POSITIONS AND 3 POSITIONS HEADERS HAVE 1 POLARIZING SLOT AT CENTER.
TO 6 POSITIONS FROM 4 POSITIONS HAVE 2 POLARIZING SLOTS.
OTHER POSITIONS HAVE 3 POLARIZING SLOTS AS PER DRAWING.

| | | | | | | | |
|--------------------------------------|-----------|-------------------------|------------|--|---|--------------------|------------------|
| 1 | POLYAMIDE | UL94V-0, NATURAL(WHITE) | 2 | BRASS | SURFACE:TIN PLATED 1μm min UNDER PLATING:NICKEL PLATED 0.5μm min | | |
| NO. | MATERIAL | FINISH . REMARKS | NO. | MATERIAL | FINISH . REMARKS | | |
| UNITS mm | | SCALE 5 : 1 | COUNT 1 | DESCRIPTION OF REVISIONS DIS-H-00004291 | DESIGNED TS. KUMAZAWA | CHECKED SZ. ONO | DATE 20181003 |
| HRS HIROSE ELECTRIC CO., LTD. | | APPROVED : KJ. KATAYOSE | 20050105 | DRAWING NO. EDC3-303206-01 | | | |
| | | CHECED : TY. OMA | 20050105 | PART NO. DF1BZ-*P-2.5DSA | | | |
| | | DESIGNED : TS. KUMAZAWA | 20050105 | CODE NO. CL541- | | | |
| | | DRAWN : TS. KUMAZAWA | 20050105 | | | | |