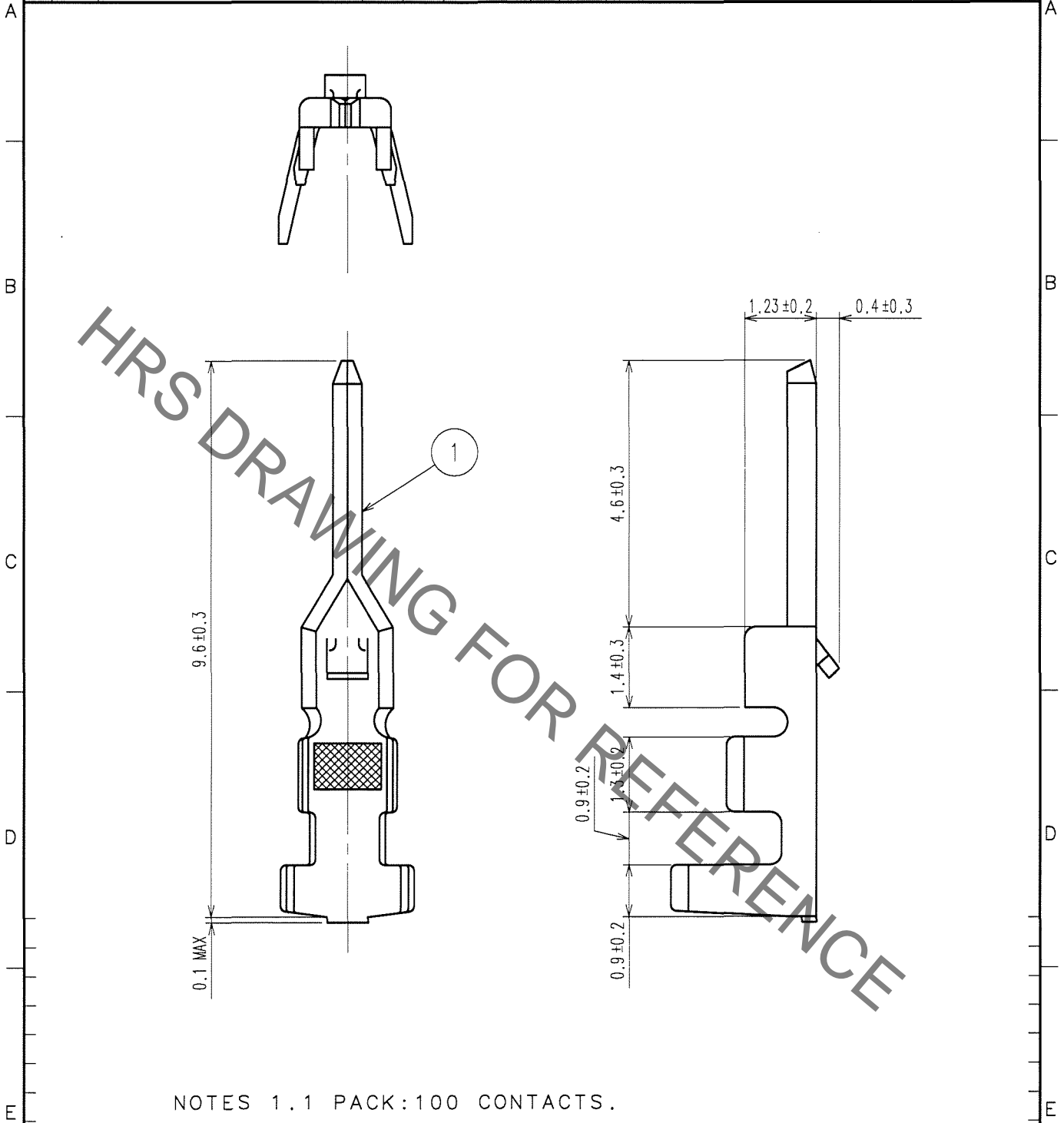


Feb. 1. 2023 Copyright 2023 HIROSE ELECTRIC CO., LTD. All Rights Reserved.
In case of consideration for using Automotive equipment / device which demand high reliability, kindly contact our sales window correspondents.

1			2			3			4					
COUNT	DESCRIPTION OF REVISIONS	BY	CHKD	DATE	COUNT	DESCRIPTION OF REVISIONS	BY	CHKD	DATE	COUNT	DESCRIPTION OF REVISIONS	BY	CHKD	DATE
△					△					△				
△					△					△				
△					△					△				



NOTES 1.1 PACK: 100 CONTACTS.

1			PHOSPHOR BRONZE			TIN PLATED: 1μm min		
NO.	MATERIAL	FINISH, REMARKS	NO.	MATERIAL	FINISH, REMARKS			

CODE NO. (OLD)		DRAWN	DESIGNED	CHECKED	APPROVED	RELEASED
		T.OHSAKO	T.OHSAKO	<i>H. Uehara</i>	<i>J. Oma</i>	
		06.12.08	06.12.08	06.12.11	06.12.11	

 SCALE 10 : 1 UNITS mm	DRAWING NO.	PART NO.
	EDC4-020375-01	DF3-EP2428PC
 HIROSE ELECTRIC CO., LTD.	CODE NO.	
	CL543-0063-0	1/1

TO