

1. Scope

This document specifies the steps from crimping the DF11-series crimped terminals to cables (AWG22 - AWG30) to inserting the terminals to crimping sockets the DF11-series.

2. Connectors

■ Crimping cases

DF11 - * DS - 2 C

- ① ② ③ ④⑤


①	Name: DF11
②	No. of contacts: : 4-32
③	Connector types DS : Double-row socket DEP : Double-row in-line plug
④	Contact pitch: : 2 mm
⑤	Shape of connection/terminal C: Crimping case

■ Crimped terminals

D F 11 - E P 2428 P C F A

- ① ② ③ ④ ⑤

①	Name: DF11
②	Connector types EP: In-line plug
③	Compatible cables 22 : AWG 22 2428 : AWG 24 - 28 30 : AWG 30
④	Shape/packing SCF : Socket terminal, reeled SC : Socket terminal, separate PCF : Plug terminal, reeled PC : Plug terminal, separate
⑤	Plating Blank : Tin plating A : Gold plating

COUNT	DESCRIPTION OF REVISIONS	DESIGNED	CHECKED	DATE	
△					
TITLE		 HIROSE ELECTRIC CO., LTD.			
DF11 Series Cable Assembly Procedure					
APPROVED	HS. OKAWA				20190411
CHECKED	SZ. ONO				20190411
DESIGNED	TS. MIYAKI	20190411			
WRITTEN	TS. MIYAKI	20190411			
TECHICAL SPECIFICATION		ETAD-H0965-00	△	1 / 5	

3. Steps for harnessing

3.1. Cable stripping

Strip cables in accordance with Crimping Quality Standards (ETAD-H0773-00/ETAD-H0935-00). In so doing, make sure there is no scratch on cable cores.

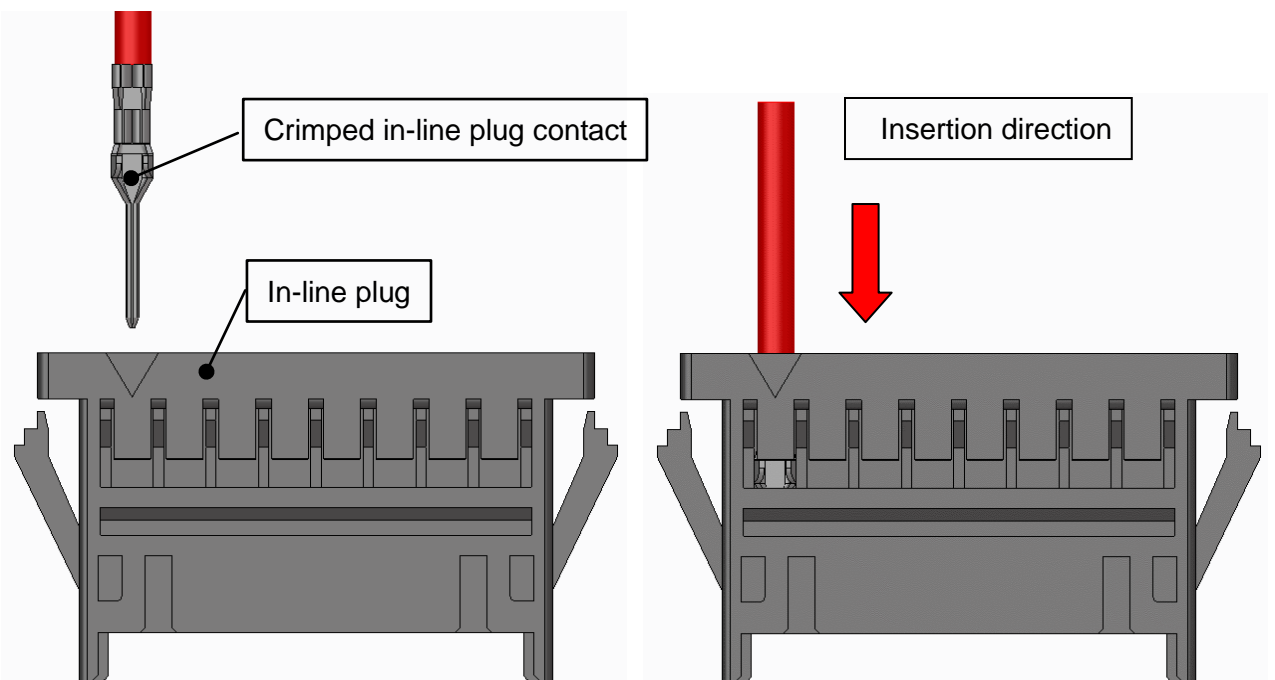
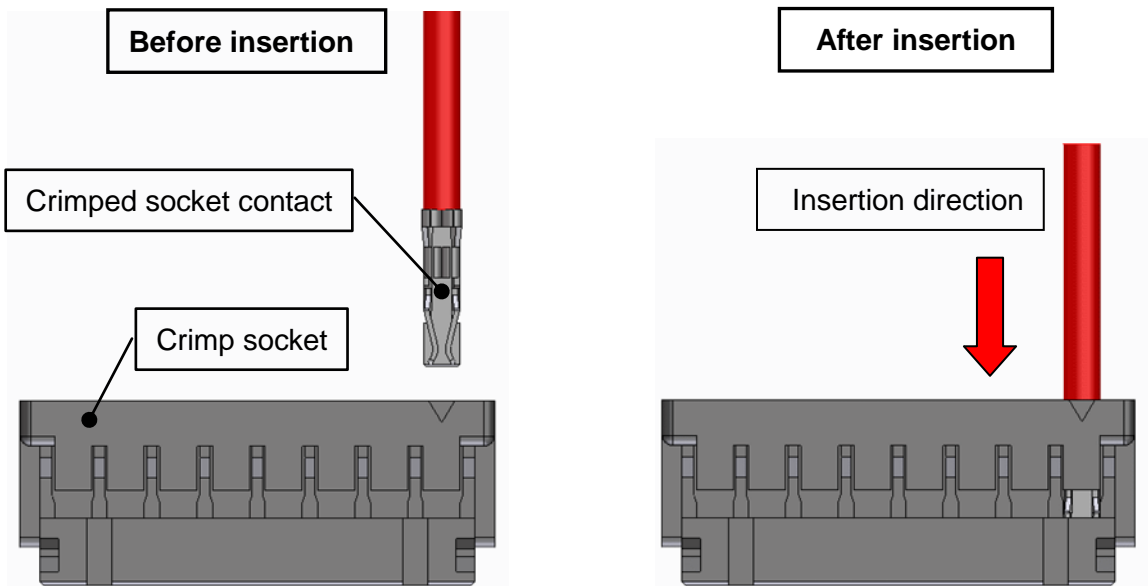
3.2. Crimping

Crimped terminals to cables using an applicator (AP105-DF11-*****), and check the crimping height and shape in accordance with the Table of crimping conditions and Crimping Quality Standards (ETAD-H0773-00/ETAD-H0935-00).

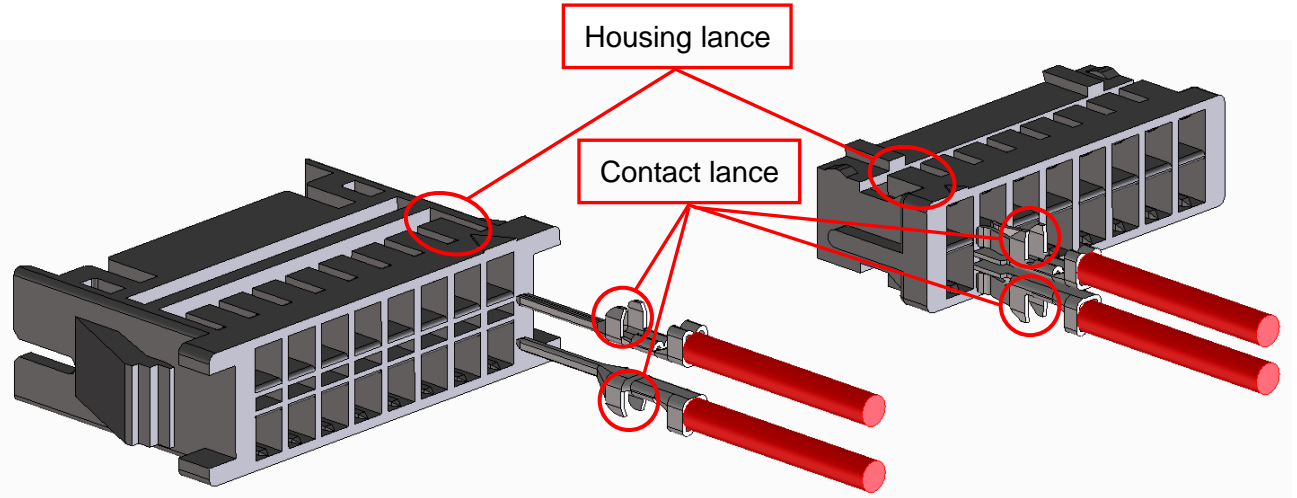
3.3. Insertion to crimping terminal sockets

Hold the cable of a crimped terminal, and insert it to each terminal hole of crimping sockets. (Insert the terminal in the direction of arrows below.)

*The figures show insertion to DF11-16DS-2C and DF11-16DEP-2C.

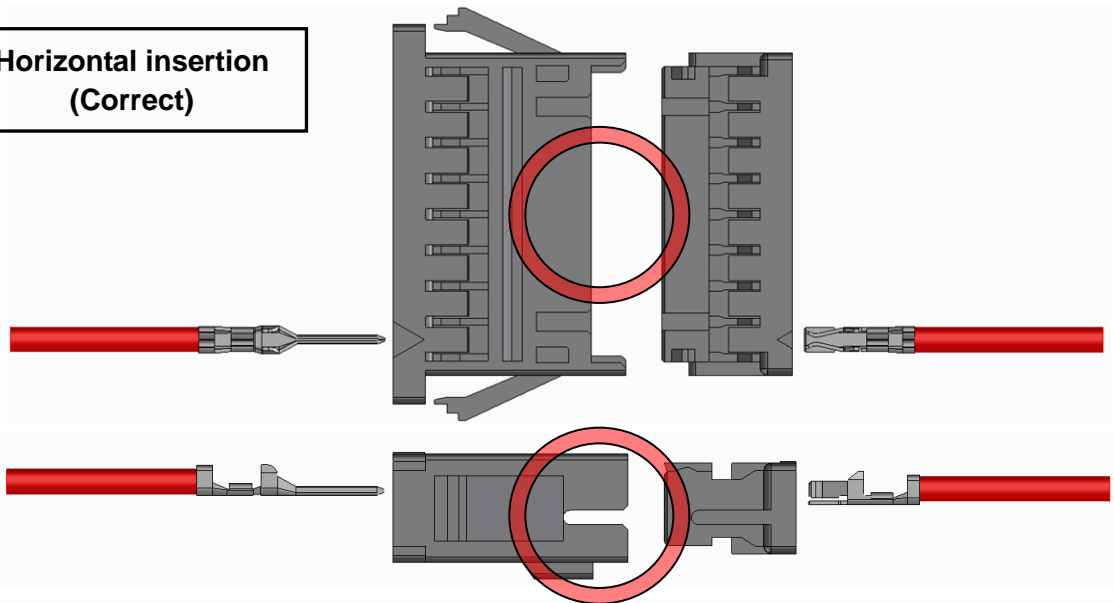


- For insertion, place the crimped terminal and crimping socket lock in the following direction:

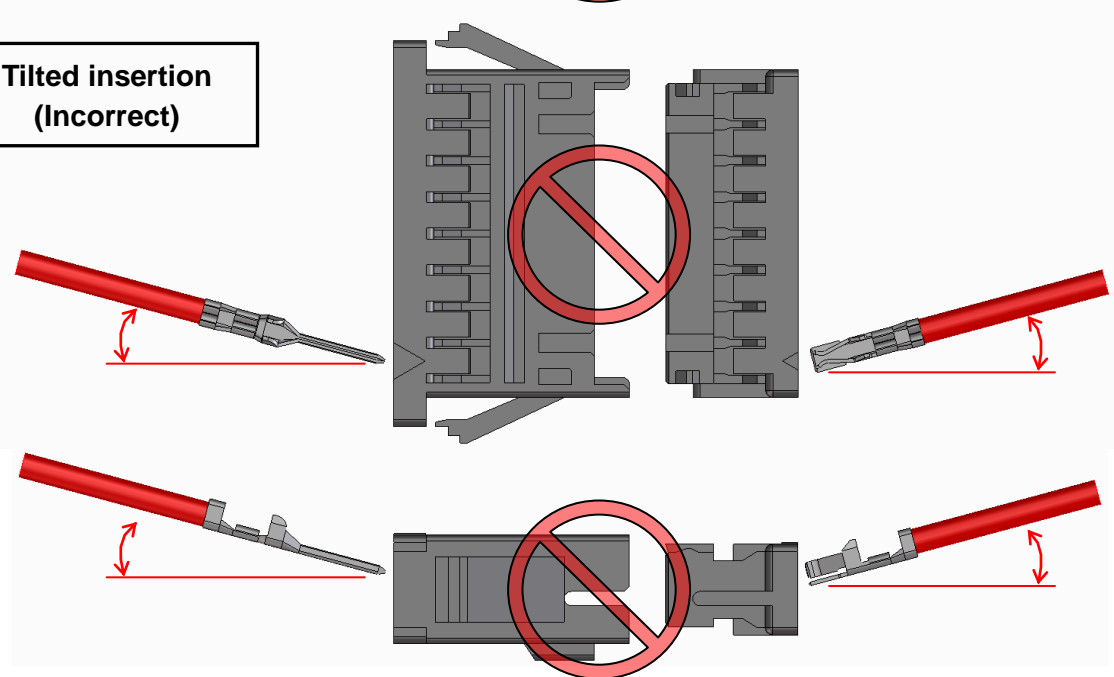


- To maintain performance reliability, do not tilt crimped terminals for insertion.

**Horizontal insertion
(Correct)**

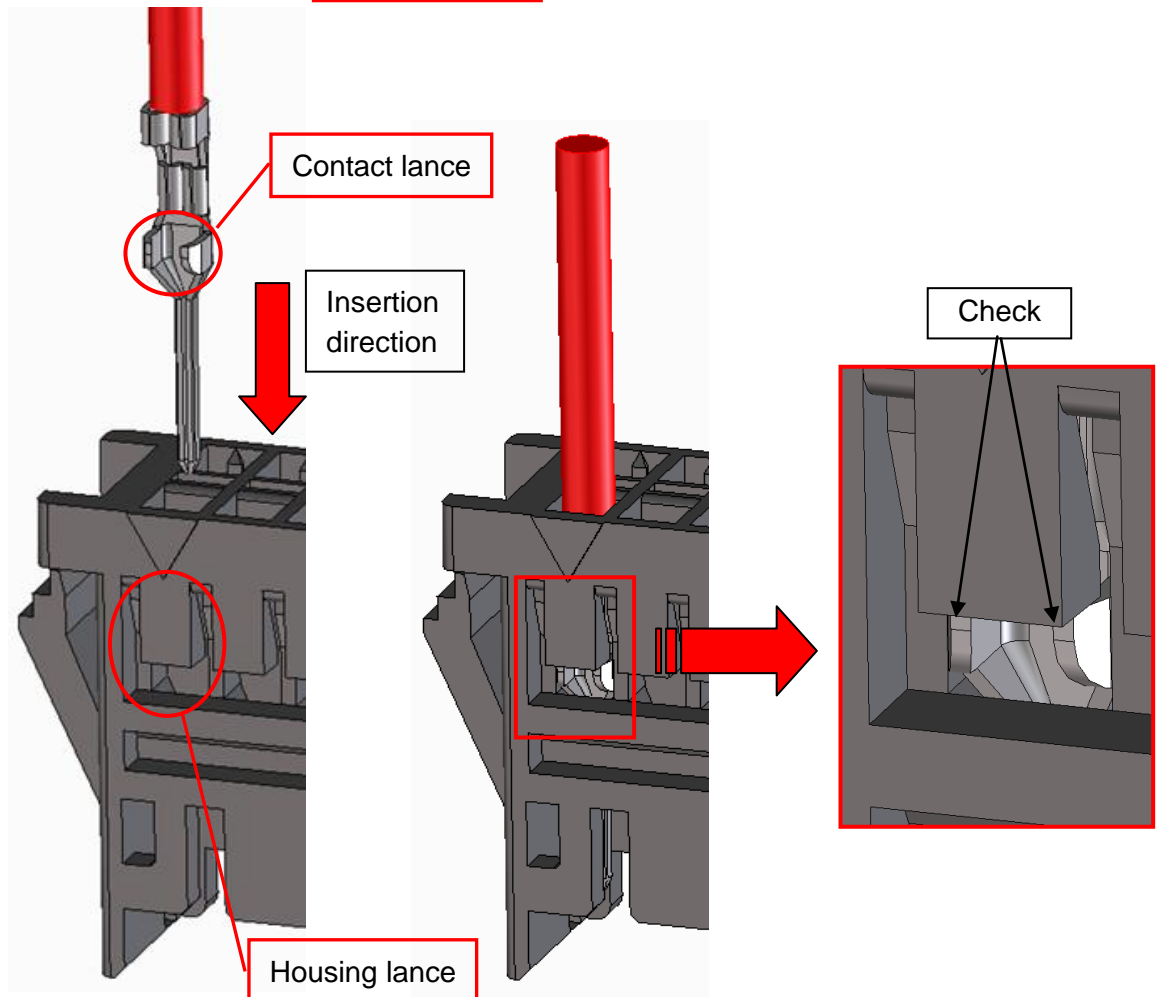
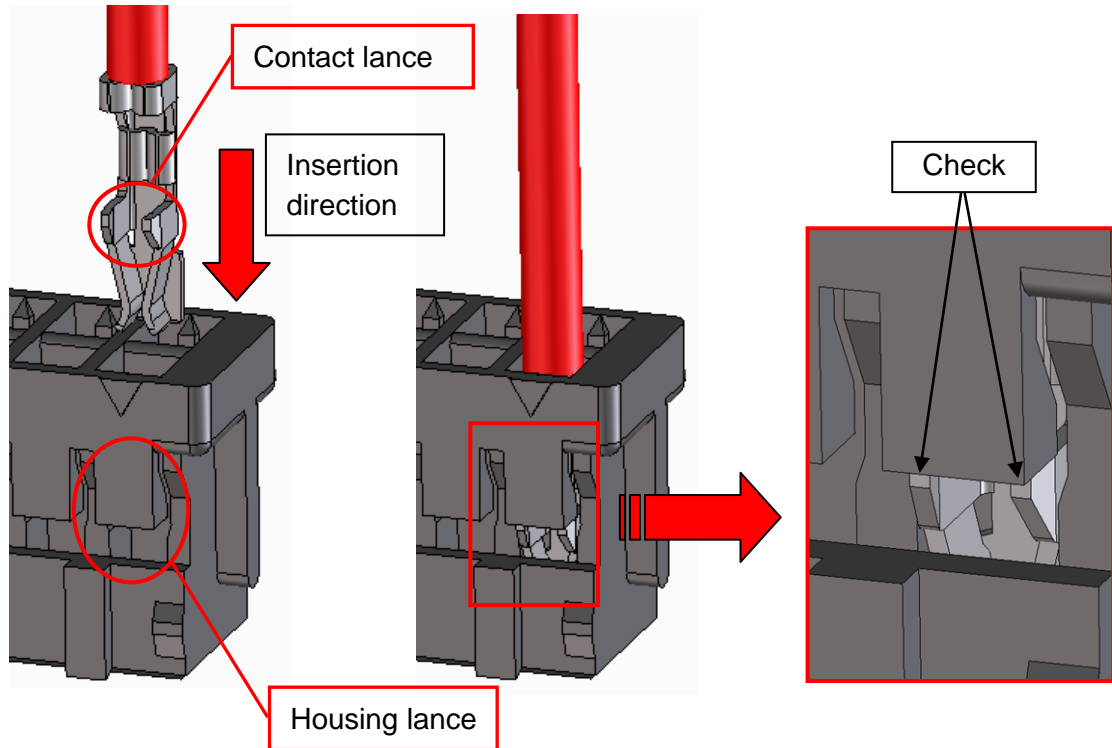


**Tilted insertion
(Incorrect)**



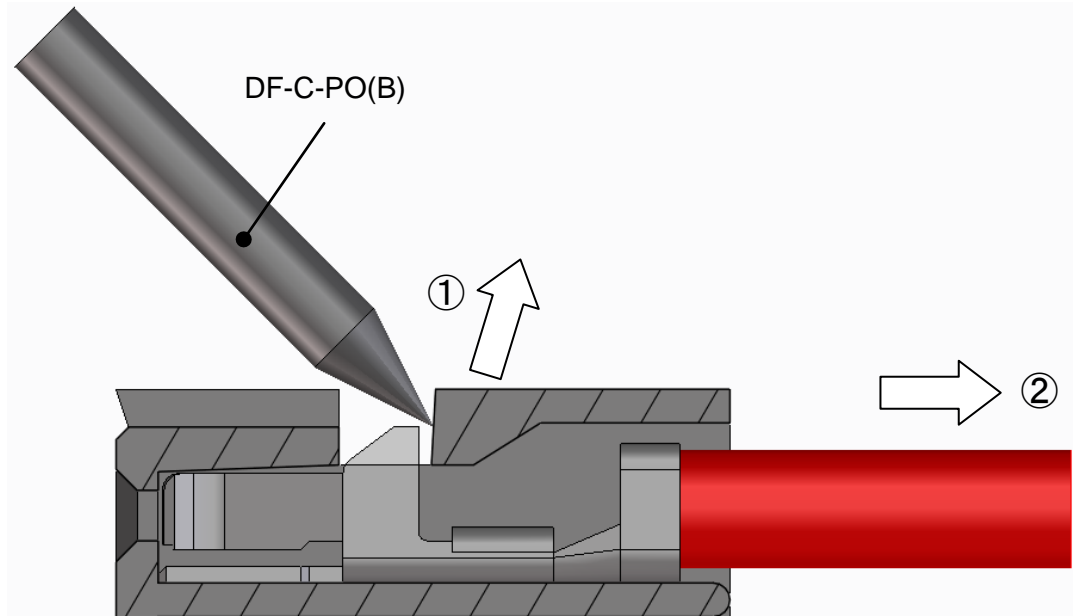
Confirmation of inserted contact conditions

Make sure that the contact lance is caught by the housing lance of the crimp socket.
(Visual check or Slightly pull the terminal to check.)



NOTE: Repairing the crimp contact

For removing the inserted contact from socket, lift up the housing lance by using DF-C-PO(B) or a pointed needle, and pull out the cable simultaneously. The repair operation could make the lance strength lower, therefore, please do not reuse the repaired crimp socket and replace it to a new one.



4. Precautions for handling

4.1. Loading to a connector

To pack or store assemblies, make sure overlapped connectors will not apply extreme load to excessive external force applied to connectors could cause failure or damage. Therefore, avoid forced insertion or removal, dropping impact, cable wiring (pull, twist) and such.

4.2. Wiring cable

During cable wiring inside the machine, keep sufficient cable length for slack to avoid direct stress is applied to the connector.

Forcible wiring such as bending the cable near the connector and straining the cable, could cause contact failure and / or waterproof defect.

