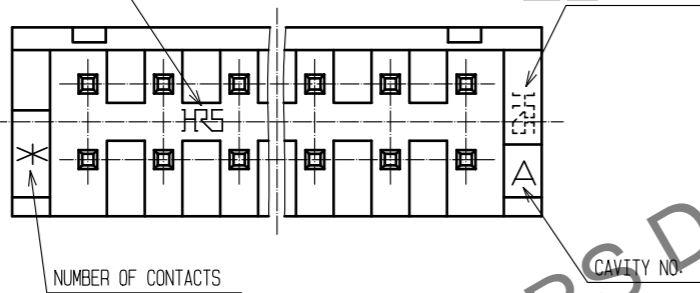
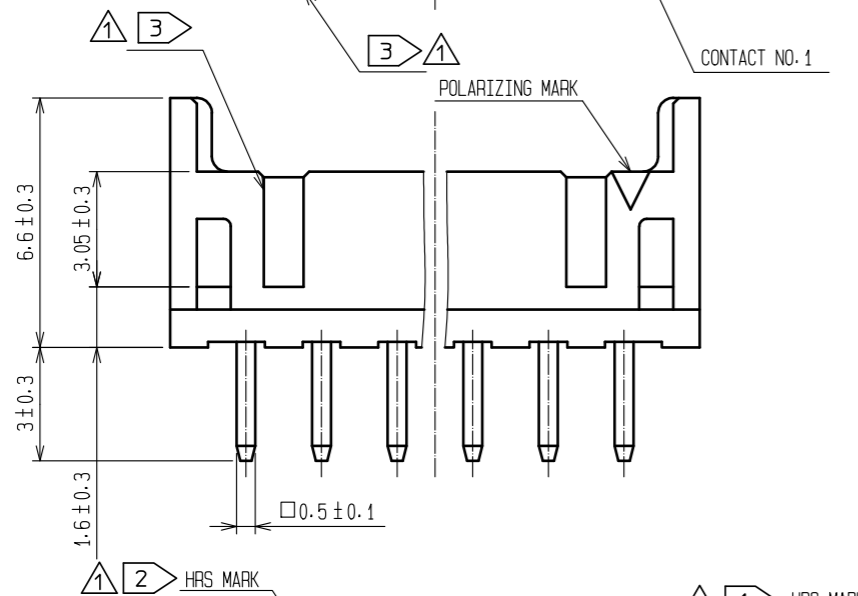
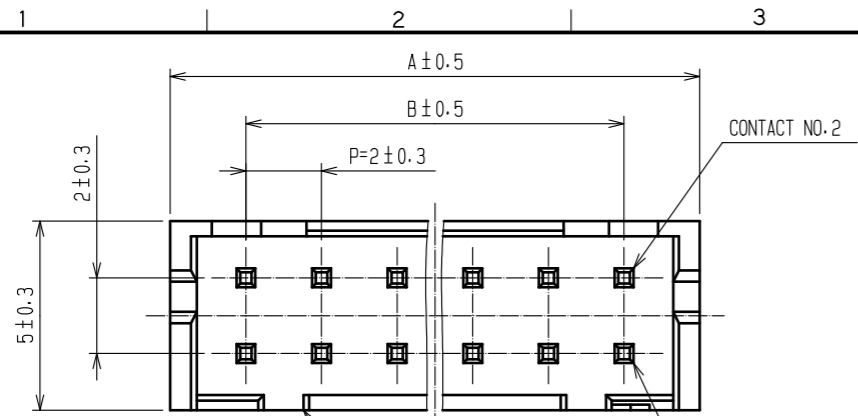
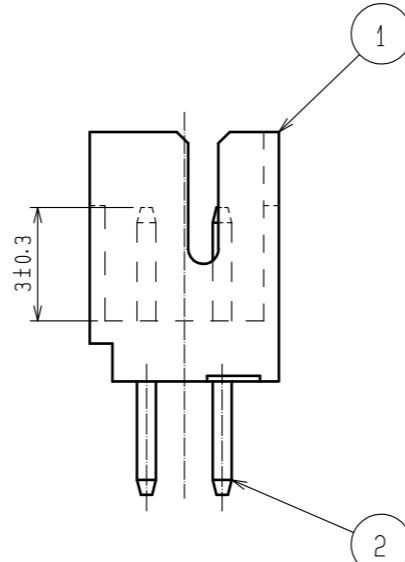
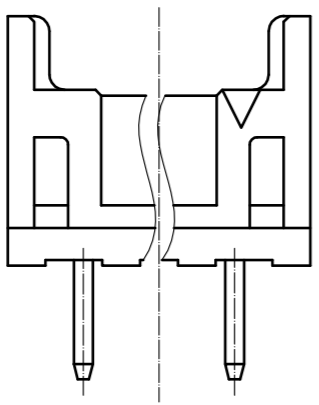


Jun.1.2024 Copyright 2024 HIROSE ELECTRIC CO., LTD. All Rights Reserved.
In case of consideration for using Automotive equipment / device which demand high reliability, kindly contact our sales window correspondents.

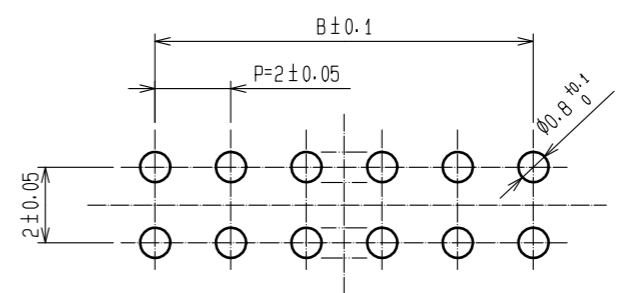


③ CONFIGURATION OF
DF11-4P/6P/8P-2DSA(08)



HRS NO	PART NO	NUMBER OF CONTACT	A	B
CL543-0517-5-24	DF11- 4DP-2DSA(24)	4	6.0	2.0
CL543-0518-8-24	DF11- 6DP-2DSA(24)	6	8.0	4.0
CL543-0519-0-24	DF11- 8DP-2DSA(24)	8	10.0	6.0
CL543-0520-0-24	DF11-10DP-2DSA(24)	10	12.0	8.0
CL543-0521-2-24	DF11-12DP-2DSA(24)	12	14.0	10.0
CL543-0522-5-24	DF11-14DP-2DSA(24)	14	16.0	12.0
CL543-0523-8-24	DF11-16DP-2DSA(24)	16	18.0	14.0
CL543-0524-0-24	DF11-18DP-2DSA(24)	18	20.0	16.0
CL543-0525-3-24	DF11-20DP-2DSA(24)	20	22.0	18.0
CL543-0526-6-24	DF11-22DP-2DSA(24)	22	24.0	20.0
CL543-0527-9-24	DF11-24DP-2DSA(24)	24	26.0	22.0
CL543-0528-1-24	DF11-26DP-2DSA(24)	26	28.0	24.0
CL543-0529-4-24	DF11-28DP-2DSA(24)	28	30.0	26.0
CL543-0530-3-24	DF11-30DP-2DSA(24)	30	32.0	28.0
CL543-0531-6-24	DF11-32DP-2DSA(24)	32	34.0	30.0

RECOMMENDED PATTERN



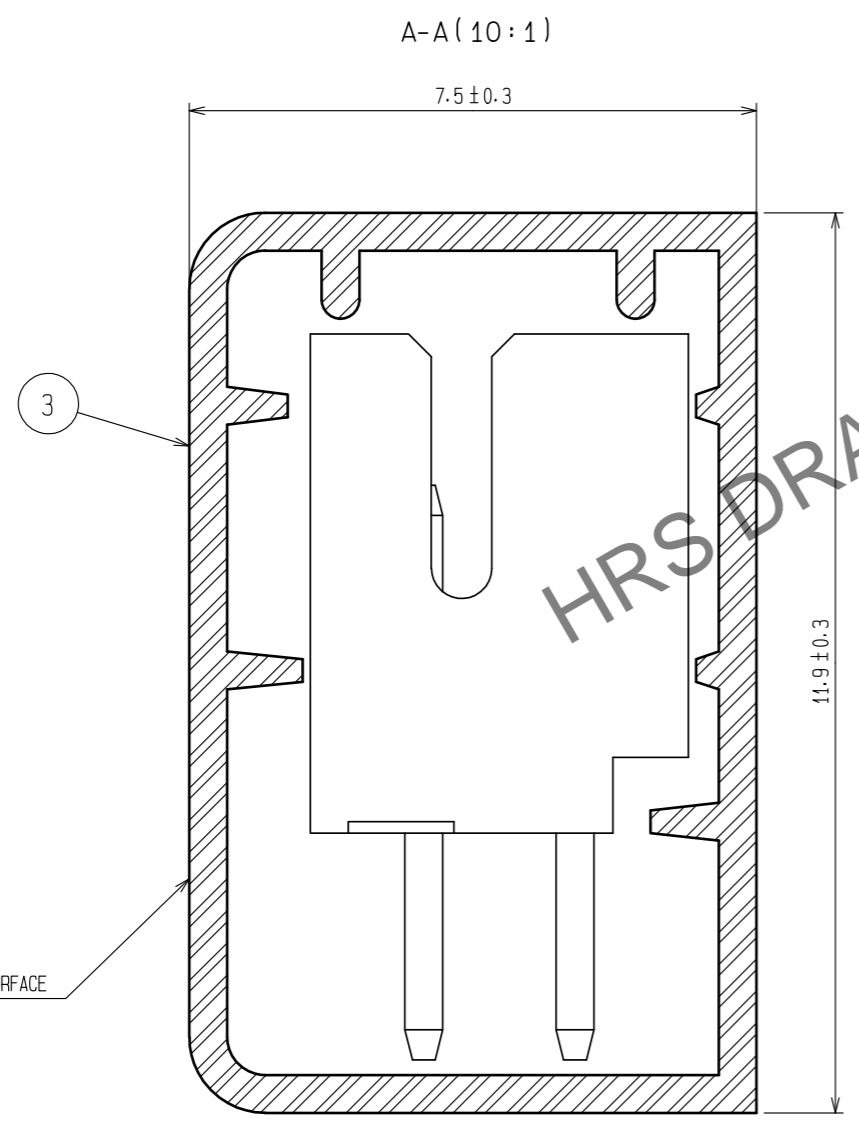
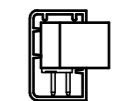
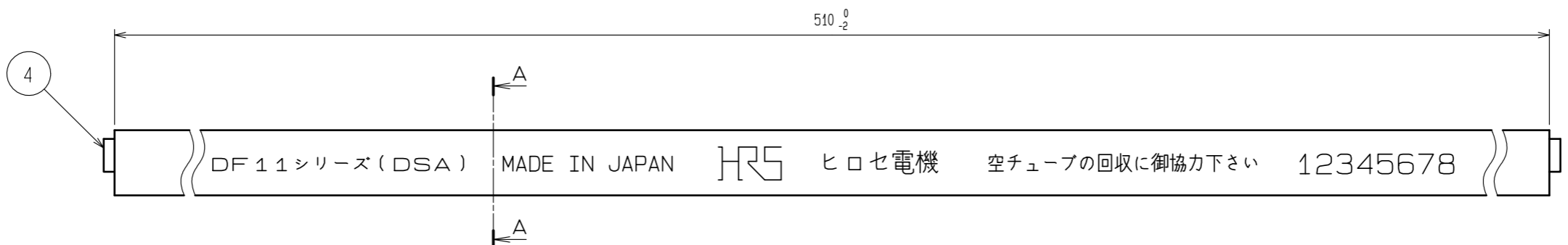
- ① NOTES ① : HRS MARK OF 4 OR 6 CONTACTS ARE INDICATED IN APPROXIMAL POSITION SHOWN.
 ② : IF MORE THAN 8 CONTACTS, HRS MARK ARE INOICATED IN APPROXIMAL POSITION SHOWN.
 ③ : FOR 4, 6 AND 8 CONTACTS, ONE MIS-INSERTION DEPRESSION SHALL BE MADE, FOR OTHERS, 2 MIS-INSERTION DEPRESSION AS PER DRAWING.

NO.	MATERIAL	FINISH . REMARKS	NO.	MATERIAL	FINISH . REMARKS
2	BRASS	SURFACE:TIN PLATED 1#m min UNDER PLATING::NICKEL PLATED 0.5#m min	4	S. PVC	STOPPER. GRAY
1	POLYAMIDE	BLACK. UL94V-0	3	R. PVC	ELECTROSTATIC PROTECTION(CLEAR)

UNITS	SCALE	COUNT	DESCRIPTION OF REVISIONS	DESIGNED	CHECKED	DATE
mm	5 : 1	6	DIS-H-00019607	KI. SUGAWARA	SZ. ONO	20231208

APPROVED : TY. OMA	20050811	DRAWING NO.	EDC-162391-24-03
CHECKED : HK. UMEHARA	20050811	PART NO.	DF11- *DP-2DSA(24)
DESIGNED : IO. DENPOUYA	20050811	CODE NO.	CL543-
DRAWN : MK. MATSUO	20050801		

Jun.1.2024 Copyright 2024 HIROSE ELECTRIC CO., LTD. All Rights Reserved.
 In case of consideration for using Automotive equipment / device which demand high reliability, kindly contact our sales window correspondents.



CODE No.	PART No.	NUMBER OF CONTACTS	QUANTITY OF CONNECTOR
CL543-0517-5-24	DF11- 4DP-2DSA(24)	4	81
CL543-0518-8-24	DF11- 6DP-2DSA(24)	6	61
CL543-0519-0-24	DF11- 8DP-2DSA(24)	8	48
CL543-0520-0-24	DF11-10DP-2DSA(24)	10	40
CL543-0521-2-24	DF11-12DP-2DSA(24)	12	34
CL543-0522-5-24	DF11-14DP-2DSA(24)	14	30
CL543-0523-8-24	DF11-16DP-2DSA(24)	16	27
CL543-0524-0-24	DF11-18DP-2DSA(24)	18	24
CL543-0525-3-24	DF11-20DP-2DSA(24)	20	22
CL543-0526-6-24	DF11-22DP-2DSA(24)	22	20
CL543-0527-9-24	DF11-24DP-2DSA(24)	24	18
CL543-0528-1-24	DF11-26DP-2DSA(24)	26	17
CL543-0529-4-24	DF11-28DP-2DSA(24)	28	16
CL543-0530-3-24	DF11-30DP-2DSA(24)	30	15
CL543-0531-6-24	DF11-32DP-2DSA(24)	32	14

NOTES 4 : THE NUMBER OF CONNECTORS PER MAGAZINE CASE IS SHOWN IN THE TABLE BELOW.
 5 : MINIMUM UNIT OF PURCHASE SHALL BE THE QUANTITY OF CONNECTORS IN TUBE.

HRS	DRAWING NO.	EDC-162391-24-03
	PART NO.	DF11-*DP-2DSA(24)
	CODE NO.	CL543-