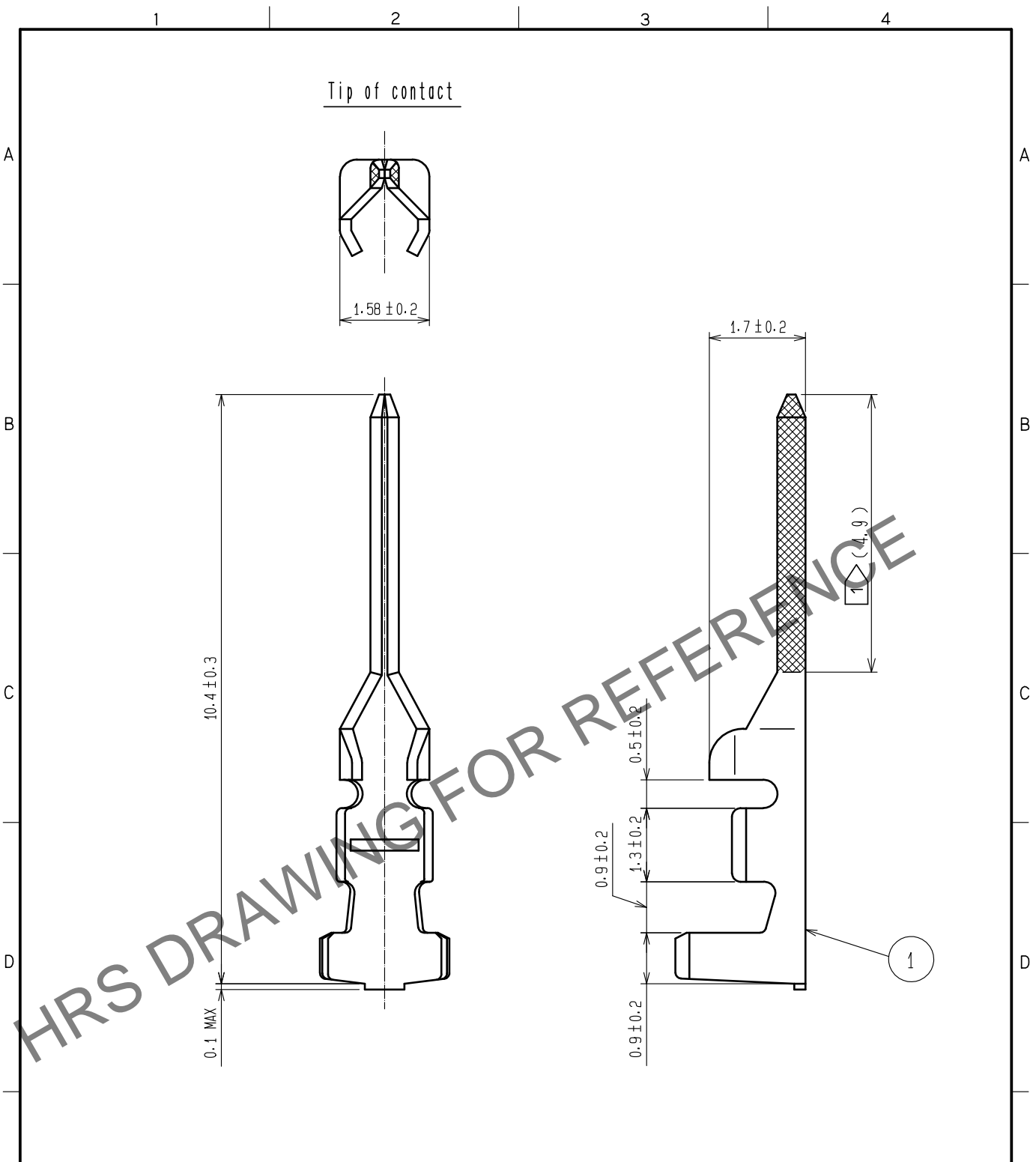


Mar.1.2025 Copyright 2025 HIROSE ELECTRIC CO., LTD. All Rights Reserved.
 In case of consideration for using Automotive equipment / device which demand high reliability, kindly contact our sales window correspondents.



Note 1 Gold plating area
 2. 100 peices per pack

NO.		MATERIAL		FINISH . REMARKS		NO.		MATERIAL		FINISH . REMARKS	
						1		Phosphor bronze		Contact area: Gold plated 0.2 μm min. Crimping area: Nickel plated 0.1 μm min.	
UNITS mm		SCALE 10: 1	COUNT 	DESCRIPTION OF REVISIONS			DESIGNED	CHECKED	DATE		
HRS HIROSE ELECTRIC CO., LTD.		APPROVED : S.J. OKAMURA		20210210		DRAWING NO.		EDC-160993-00-00			
		CHECKED : SZ. ONO		20210210		PART NO.		DF11-EP2428PCA			
		DESIGNED : TS. KUMAZAWA		20210210		CODE NO.		CL0543-0618-2-00			
		DRAWN : TS. KUMAZAWA		20210210							