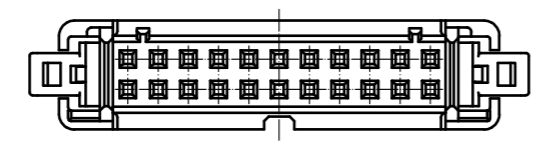
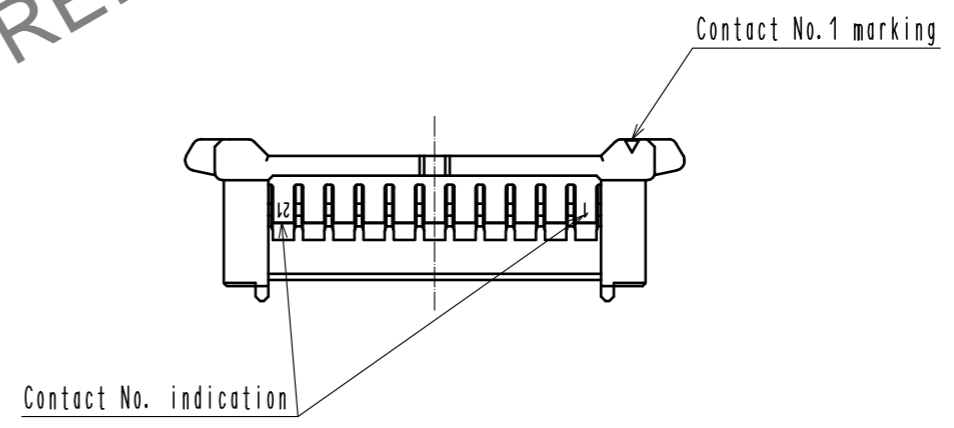
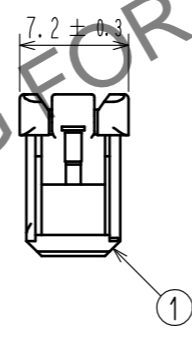
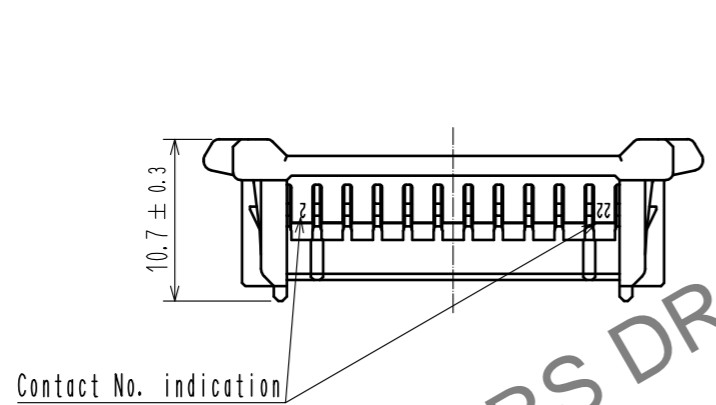
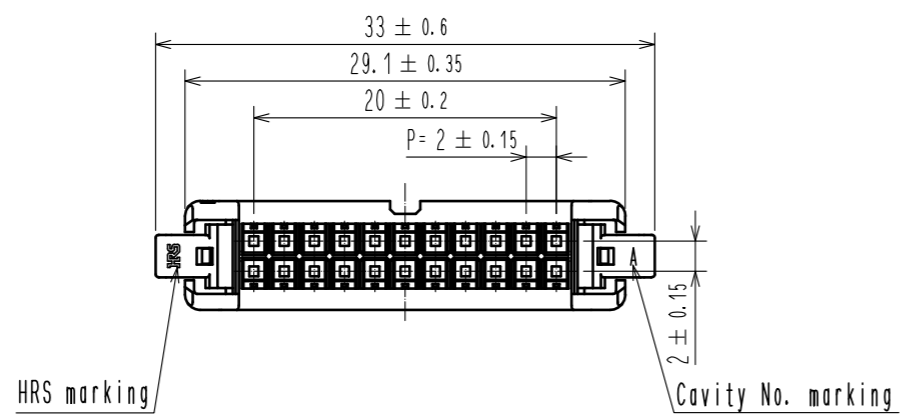


Jan.1.2025 Copyright 2025 HIROSE ELECTRIC CO., LTD. All Rights Reserved.  
 In case of consideration for using Automotive equipment / device which demand high reliability, kindly contact our sales window correspondents.



HRS DRAWING FOR REFERENCE

Note 1. Per pack : 100 pieces.  
 1. UL(File No.E52653),  
 C-UL(File No.E52653) authorization article.



NO.		MATERIAL		FINISH . REMARKS		1	PBT	UL94V-0. BLACK		
UNITS mm		SCALE 2 : 1		COUNT 1		DESCRIPTION OF REVISIONS DIS-H-00004451		DESIGNED TS.MIYAKI	CHECKED SZ.ONO	DATE 20181126
HIROSE ELECTRIC CO., LTD.		APPROVED : HS. OKAWA		20160707		DRAWING NO.		EDC-362063-00-00		
		CHECKED : YN. TAKASHITA		20160707		PART NO.		DF51-22DS-2C		
		DESIGNED : TT. OHSAKO		20160707		CODE NO.		CL543-5039-2-00		
		DRAWN : TT. OHSAKO		20160707						