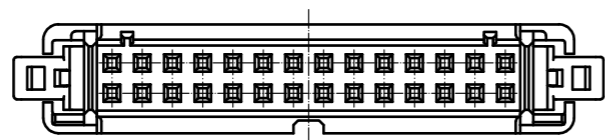
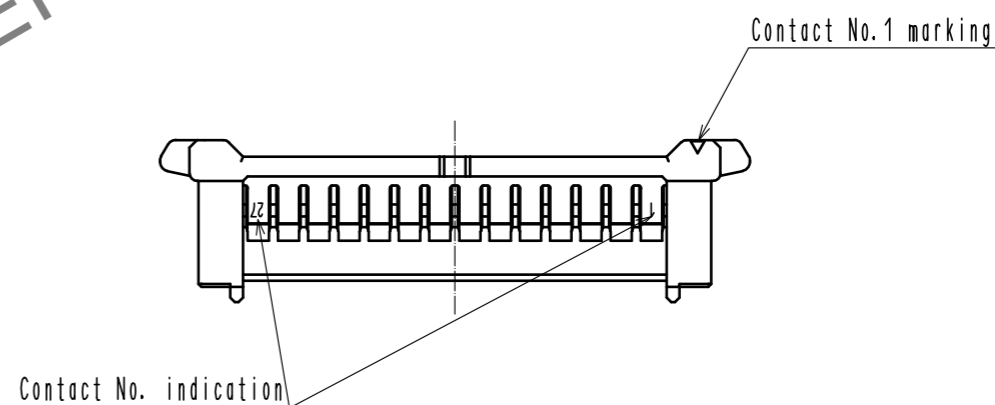
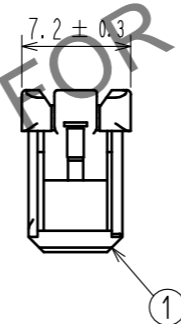
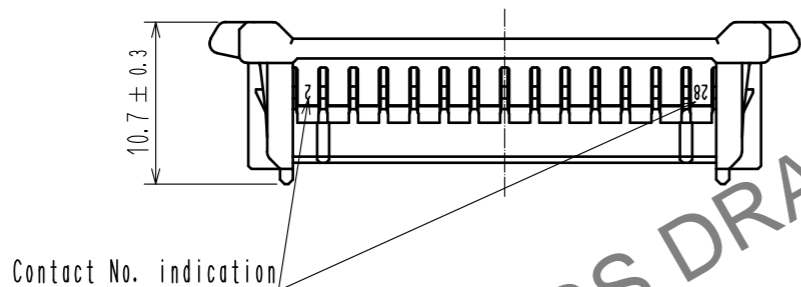
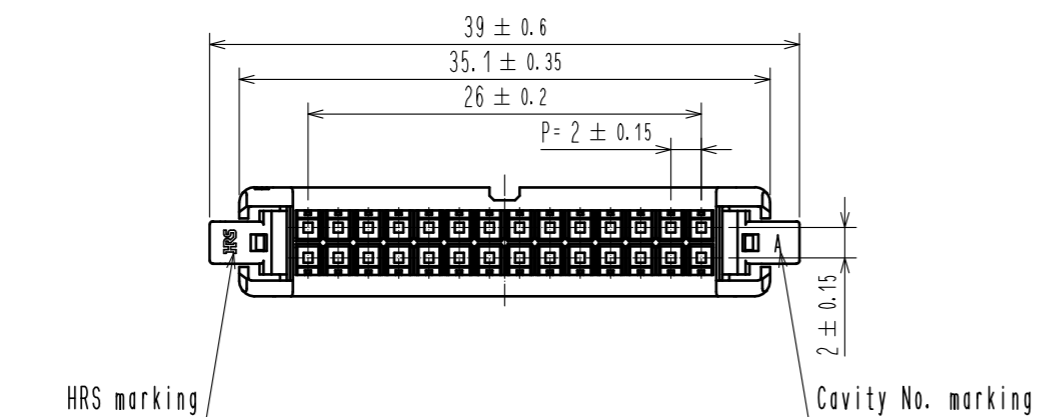


Jan.1.2025 Copyright 2025 HIROSE ELECTRIC CO., LTD. All Rights Reserved.
In case of consideration for using Automotive equipment / device which demand high reliability, kindly contact our sales window correspondents.



HRS DRAWING FOR REFERENCE

Note 1. Per pack : 100 pieces.
 △ 2. UL(File No.E52653),
 C-UL(File No.E52653) authorization article.



NO.		MATERIAL		FINISH . REMARKS		1	PBT	UL94V-0. BLACK
UNITS	mm	SCALE	2 : 1	COUNT	△ 1	DESCRIPTION OF REVISIONS		DESIGNED
HRS		HIROSE ELECTRIC CO., LTD.		APPROVED : HS. OKAWA 20160707		DRAWING NO.		EDC-362066-00-00
				CHECKED : YN. TAKASHITA 20160707		PART NO.		DF51-28DS-2C
				DESIGNED : TT. OHSAKO 20160707		CODE NO.		CL543-5042-7-00
				DRAWN : TT. OHSAKO 20160707				△ 1/1
						DESIGNED		CHECKED
						TS. MIYAKI		SZ. ONO
								DATE
								20181126