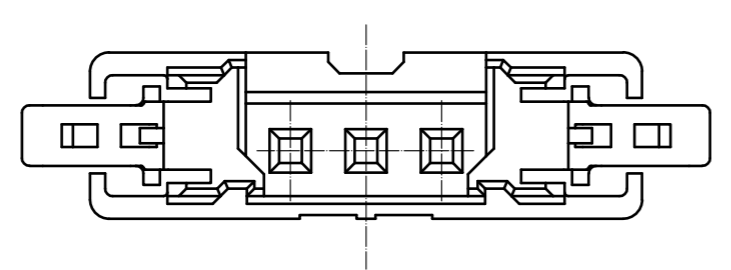
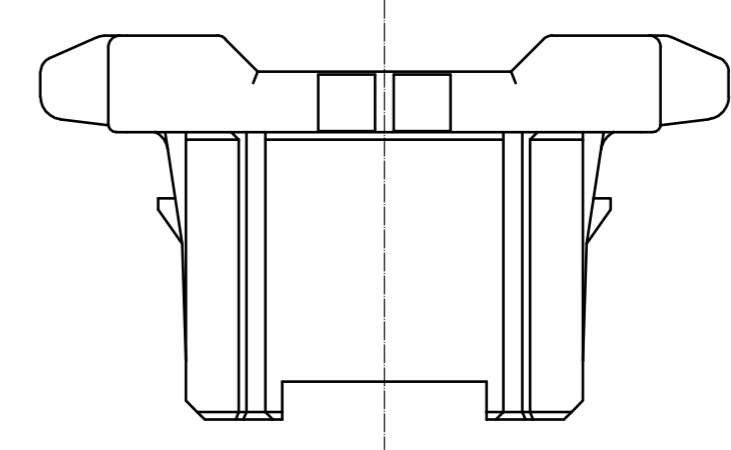
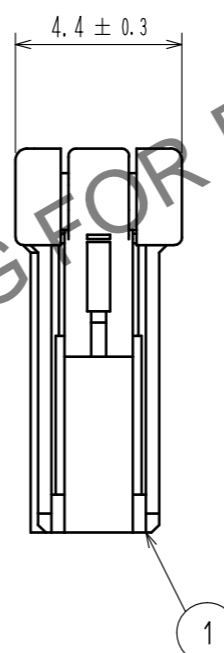
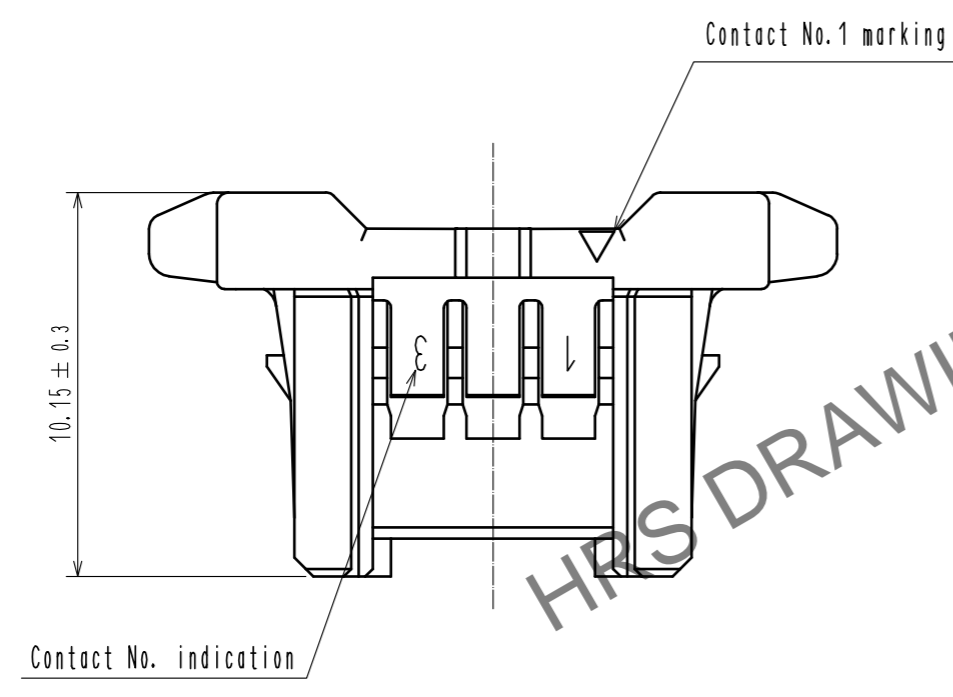
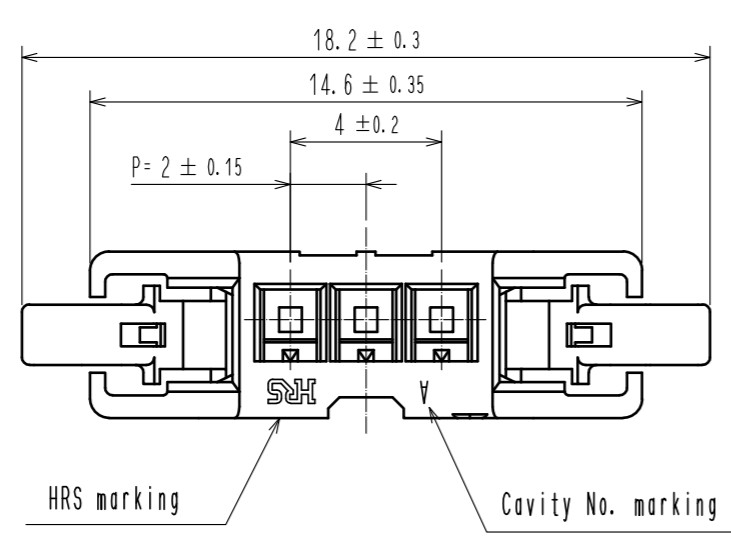


Jun.1.2024 Copyright 2024 HIROSE ELECTRIC CO., LTD. All Rights Reserved.
In case of consideration for using Automotive equipment / device which demand high reliability, kindly contact our sales window correspondents.



Note 1. Per pack : 100 pieces.
 2. UL(File No.E52653),
 C-UL(File No.E52653) authorization article.



NO.		MATERIAL		FINISH . REMARKS		NO.		MATERIAL		FINISH . REMARKS	
UNITS mm				SCALE 4 : 1		COUNT 1		DESCRIPTION OF REVISIONS DIS-H-00004517		DESIGNED TS.MIYAKI CHECKED HS.OKAWA DATE 20181217	
HIROSE ELECTRIC CO.,LTD.		APPROVED : YN. TAKASHITA		20160127		DRAWING NO.		EDC-363930-00-00			
		CHECKED : YN. TAKASHITA		20160127		PART NO.		DF51-3S-2C			
		DESIGNED : TT. OHSAKO		20160127		CODE NO.		CL543-5121-0-00			
		DRAWN : TT. OHSAKO		20160127				1/1			