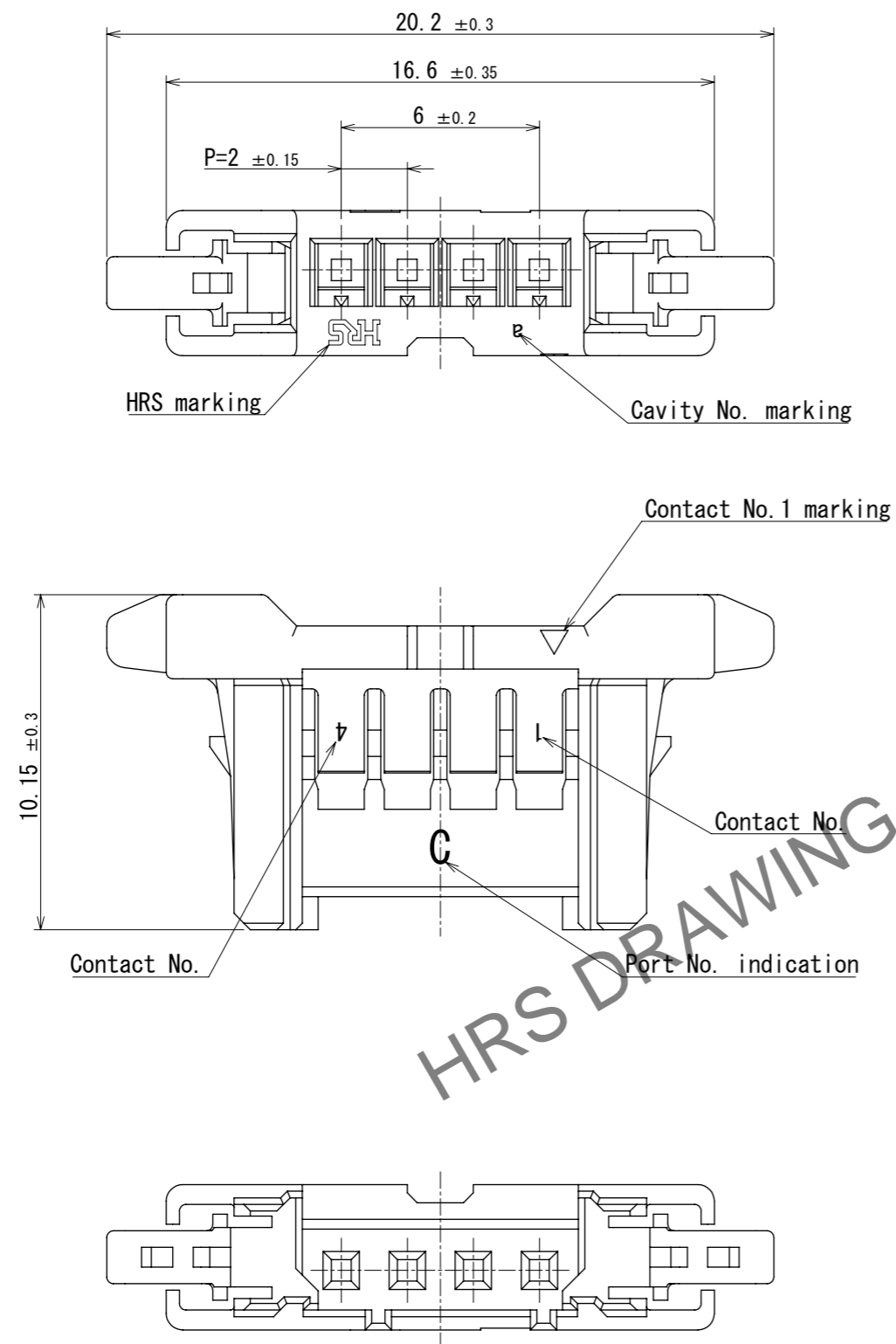


Dec.1.2024 Copyright 2024 HIROSE ELECTRIC CO., LTD. All Rights Reserved.
 In case of consideration for using Automotive equipment / device which demand high reliability, kindly contact our sales window correspondents.



- 注 1. 100 pieces per pack
 2. Refer to these manuals for handling this connector.
 Cable assembly : ATAD-H0923-00
 Mating and unmating operation : ATAD-H0847-00
 3. There may be slight scratches or dents on the appearance, but this does not affect the function.
 4. UL (File No.E52653)
 C-UL (File No.E52653) authorization article



△ 5. Please refer to the technical specification (ATAP-H0957-00) for the packing type.

				1	PBT	UL94V-0, BLACK	
NO.	MATERIAL	FINISH	REMARKS	NO.	MATERIAL	FINISH	
UNITS mm		SCALE 5:1		COUNT 1	DESCRIPTION OF REVISIONS DIS-H-00021641		DESIGNED SN. MIWA
HIROSE ELECTRIC CO., LTD.		APPROVED : SJ. OKAMURA 2024. 10. 01		DRAWING NO. EDC-405319-00-00		CHECKED TT. OHSAKO	
		CHECKED : TT. OHSAKO 2024. 10. 01		PART NO. DF51BC-4S-2C		DATE 2024. 10. 24	
		DESIGNED : SN. MIWA 2024. 10. 01		CODE NO. CL0543-5141-0-00		1/1	
		DRAWN : SK. CHIBA 2024. 10. 01					