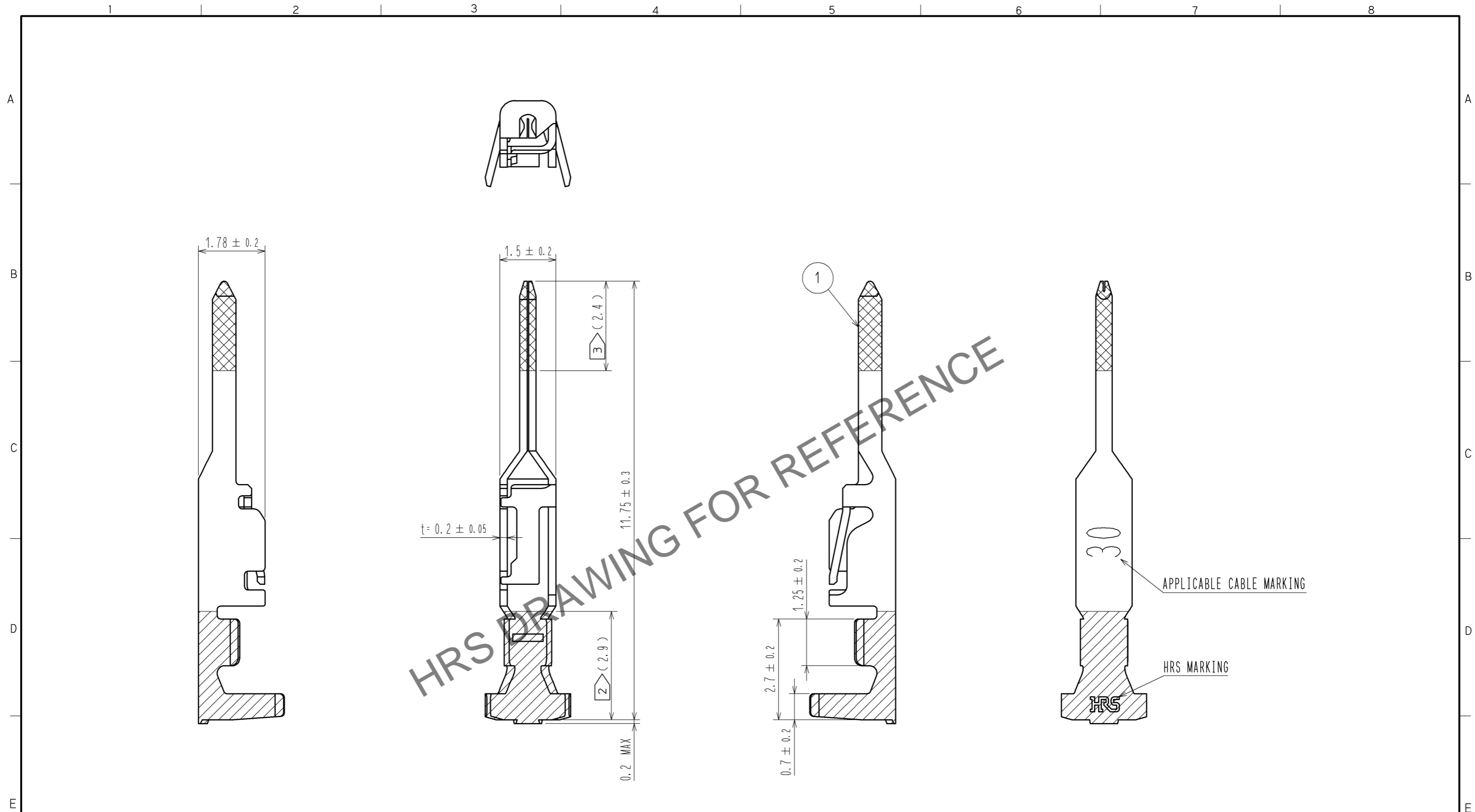


Jan.1.2025 Copyright 2025 HIROSE ELECTRIC CO., LTD. All Rights Reserved.
 In case of consideration for using Automotive equipment / device which demand high reliability, kindly contact our sales window correspondents.



NOTE 1. 1PACK:100 CONTACTS
 2 TIN PLATING AREA.
 3 GOLD PLATING AREA.
 4. THE DIMENSIONS IN PARENTHESIS ARE FOR REFERENCE.

NO.		MATERIAL		FINISH . REMARKS		NO.		MATERIAL		FINISH . REMARKS			
UNITS mm				SCALE 10:1		COUNT △		DESIGNED		CHECKED		DATE	
		HIROSE ELECTRIC CO., LTD.		APPROVED : KI. AKIYAMA		12.07.21		DRAWING NO. EDC3-345111-00		PART NO. DF62-EP30PCA		CODE NO. CL544-0531-2-00	
				CHECKED : MN. KENJO		12.07.21						△ 1/1	
				DESIGNED : TO. HORII		12.07.20							
				DRAWN : TO. HORII		12.07.20							

CONTACT AREA : GOLD PLATING 0.2μm MIN
 BARREL AREA : TIN PLATING 1μm MIN
 OTHERS : NICKEL PLATING 0.5μm MIN