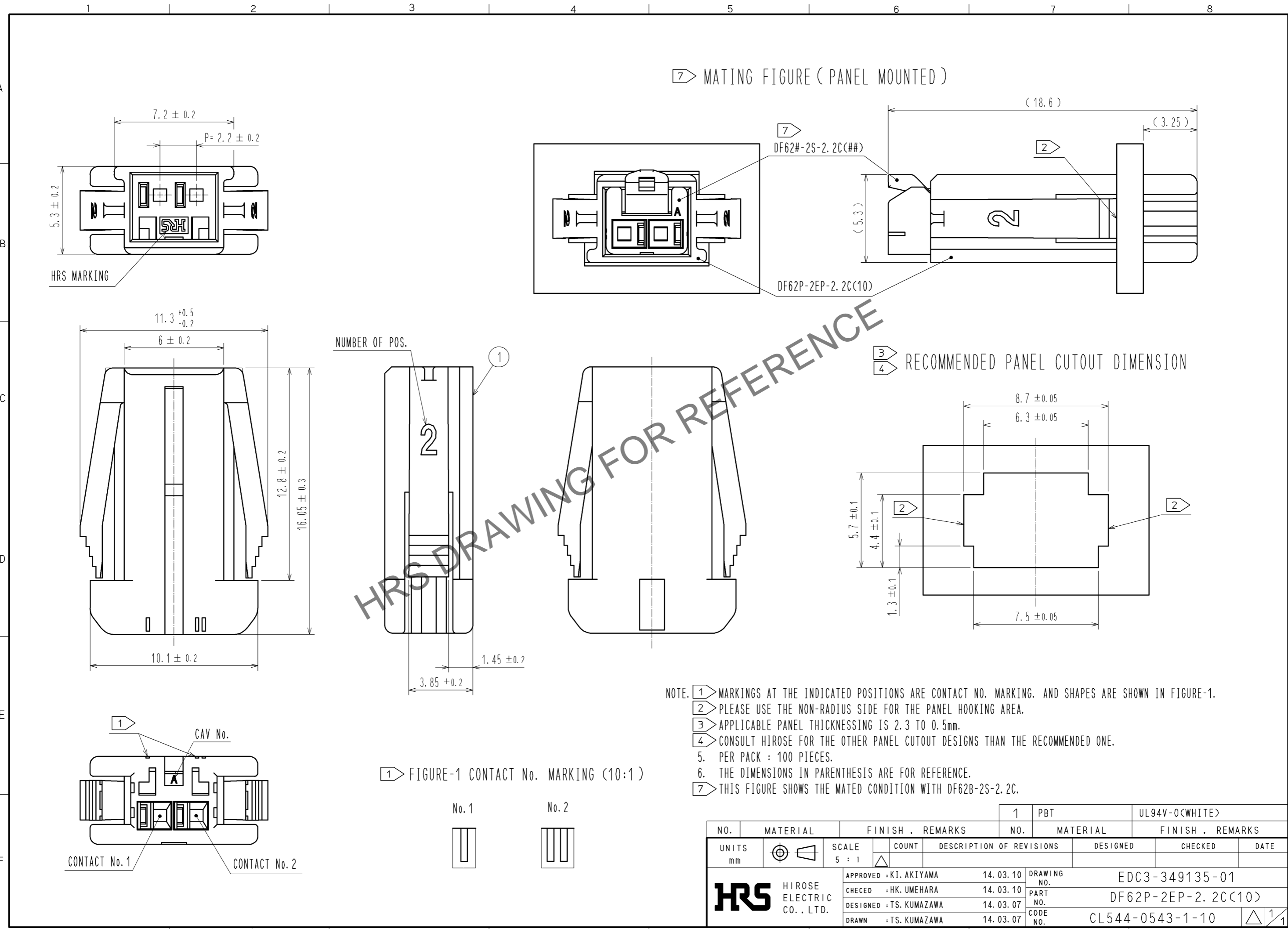
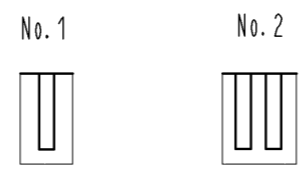


Oct.1.2024 Copyright 2024 HIROSE ELECTRIC CO., LTD. All Rights Reserved.  
In case of consideration for using Automotive equipment / device which demand high reliability, kindly contact our sales window correspondents.



- NOTE.
- 1 MARKINGS AT THE INDICATED POSITIONS ARE CONTACT NO. MARKING. AND SHAPES ARE SHOWN IN FIGURE-1.
  - 2 PLEASE USE THE NON-RADIUS SIDE FOR THE PANEL HOOKING AREA.
  - 3 APPLICABLE PANEL THICKNESSING IS 2.3 TO 0.5mm.
  - 4 CONSULT HIROSE FOR THE OTHER PANEL CUTOUT DESIGNS THAN THE RECOMMENDED ONE.
  - 5. PER PACK : 100 PIECES.
  - 6. THE DIMENSIONS IN PARENTHESIS ARE FOR REFERENCE.
  - 7 THIS FIGURE SHOWS THE MATED CONDITION WITH DF62B-2S-2.2C.

1 FIGURE-1 CONTACT No. MARKING (10:1)



NO.		MATERIAL		FINISH . REMARKS		1	PBT	UL94V-0<WHITE>	
UNITS mm		SCALE 5 : 1		COUNT		DESCRIPTION OF REVISIONS		DESIGNED	CHECKED
<b>HRS</b> HIROSE ELECTRIC CO., LTD.		APPROVED : KI. AKIYAMA		14. 03. 10		DRAWING NO.		EDC3-349135-01	
		CHECKED : HK. UMEHARA		14. 03. 10		PART NO.		DF62P-2EP-2. 2C(10)	
		DESIGNED : TS. KUMAZAWA		14. 03. 07		CODE NO.		CL544-0543-1-10	
		DRAWN : TS. KUMAZAWA		14. 03. 07					