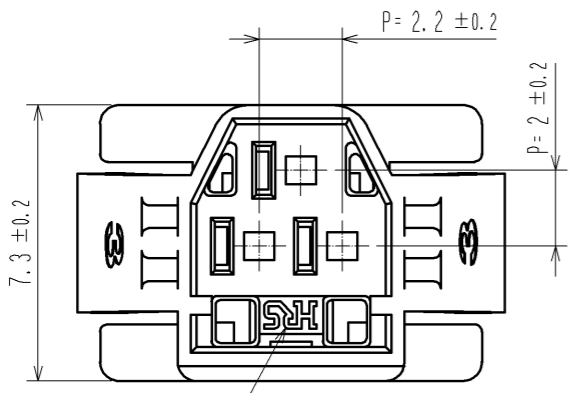
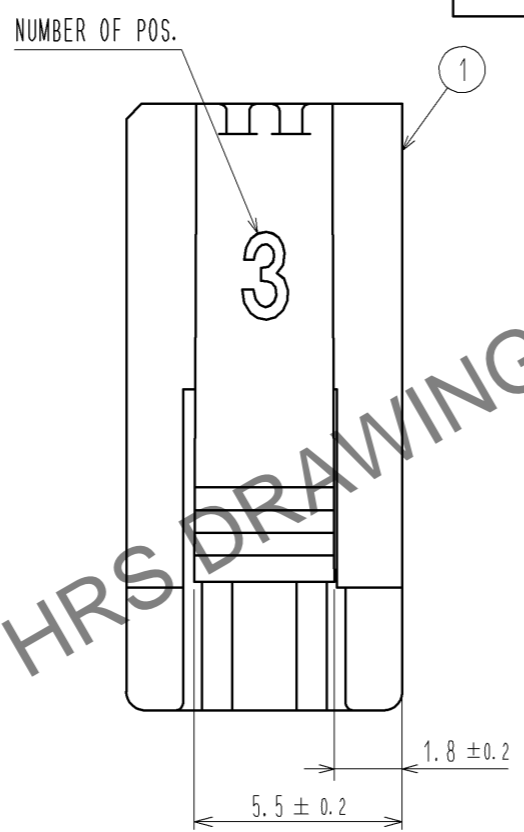
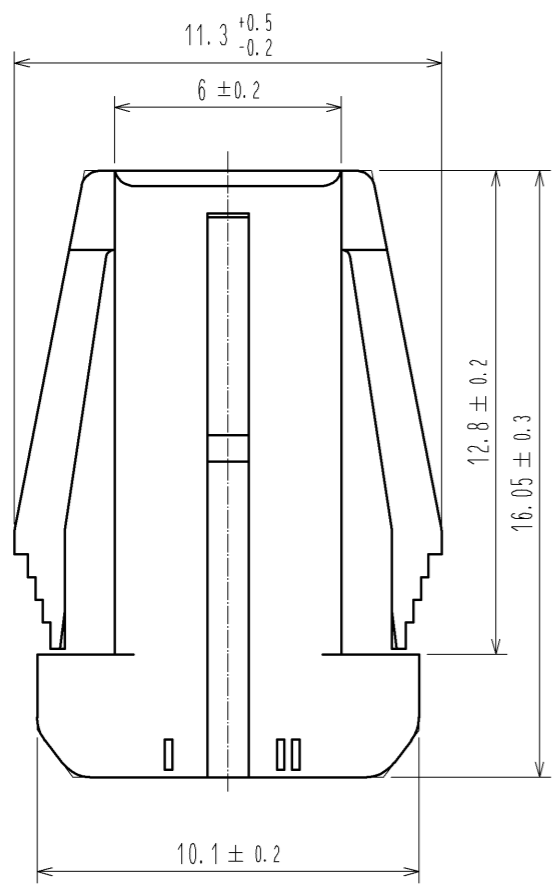
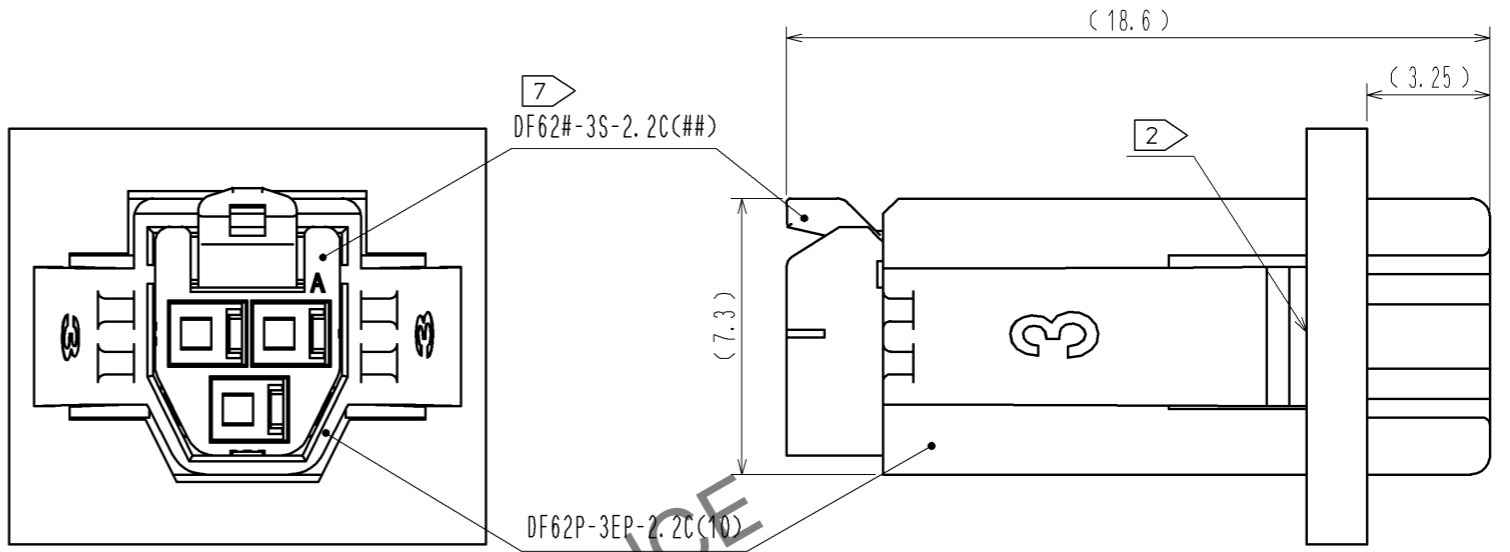


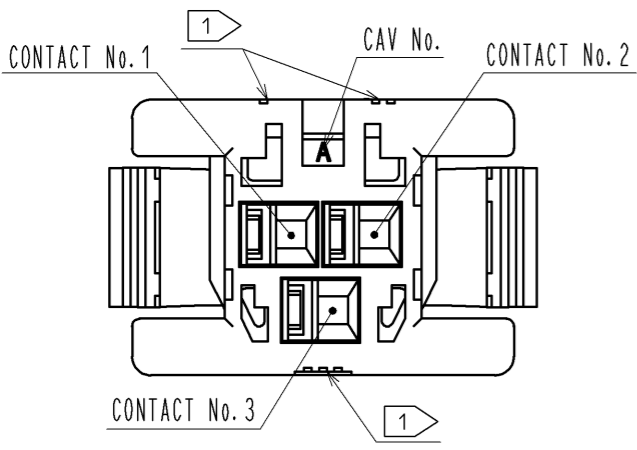
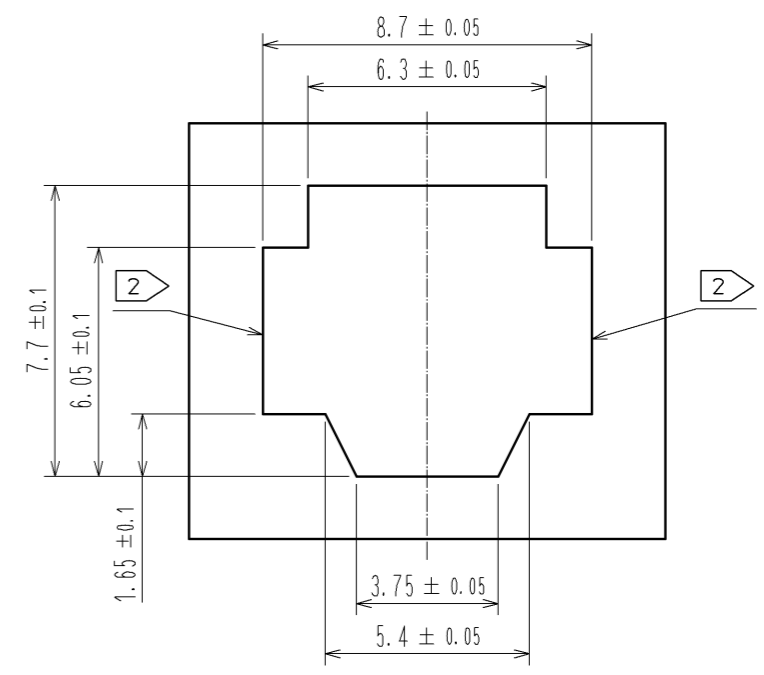
Sep.1.2024 Copyright 2024 HIROSE ELECTRIC CO., LTD. All Rights Reserved.
In case of consideration for using Automotive equipment / device which demand high reliability, kindly contact our sales window correspondents.



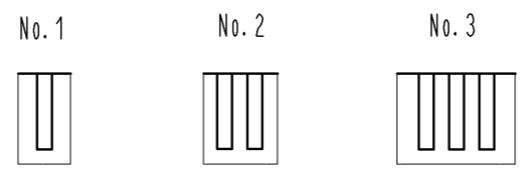
7 MATING FIGURE (PANEL MOUNTED)



3 4 RECOMMENDED PANEL CUTOUT DIMENSION



1 FIGURE-1 CONTACT No. MARKING (10:1)



- 1 MARKINGS AT THE INDICATED POSITIONS ARE CONTACT NO. MARKING. AND SHAPES ARE SHOWN IN FIGURE-1.
- 2 PLEASE USE THE NON-RADIUS SIDE FOR THE PANEL HOOKING AREA.
- 3 APPLICABLE PANEL THICKNESSING IS 2.3 TO 0.5mm.
- 4 CONSULT HIROSE FOR THE OTHER PANEL CUTOUT DESIGNS THAN THE RECOMMENDED ONE.
- 5. PER PACK : 100 PIECES.
- 6. THE DIMENSIONS IN PARENTHESIS ARE FOR REFERENCE.
- 7 THIS FIGURE SHOWS THE MATED CONDITION WITH DF62B-3S-2.2C.

| | | | | | | | | |
|-------------|--|---------------------------------|--|-------------------------|--|------------|-----|-----------------|
| NO. | | MATERIAL | | FINISH . REMARKS | | 1 | PBT | UL94V-0(WHITE) |
| UNITS mm | | SCALE 5 : 1 | | COUNT | | DESIGNED | | CHECKED |
| HRS | | HIROSE ELECTRIC CO., LTD. | | APPROVED : KI. AKIYAMA | | 14. 03. 10 | | DRAWING NO. |
| | | | | CHECKED : HK. UMEHARA | | 14. 03. 10 | | PART NO. |
| | | | | DESIGNED : TS. KUMAZAWA | | 14. 03. 07 | | CODE NO. |
| | | | | DRAWN : TS. KUMAZAWA | | 14. 03. 07 | | CL544-0544-4-10 |
| | | | | | | | | 1/1 |