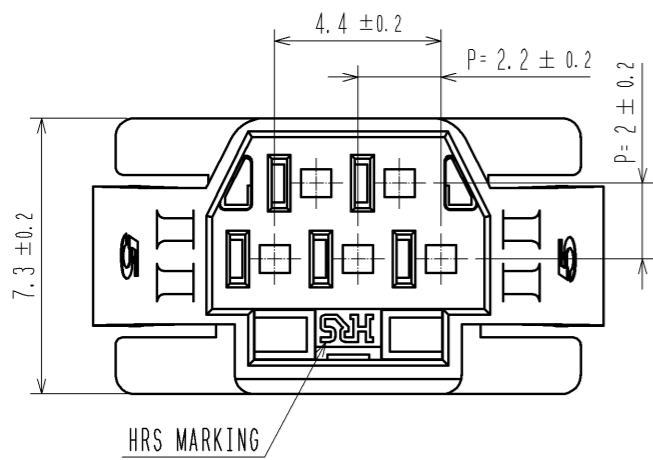
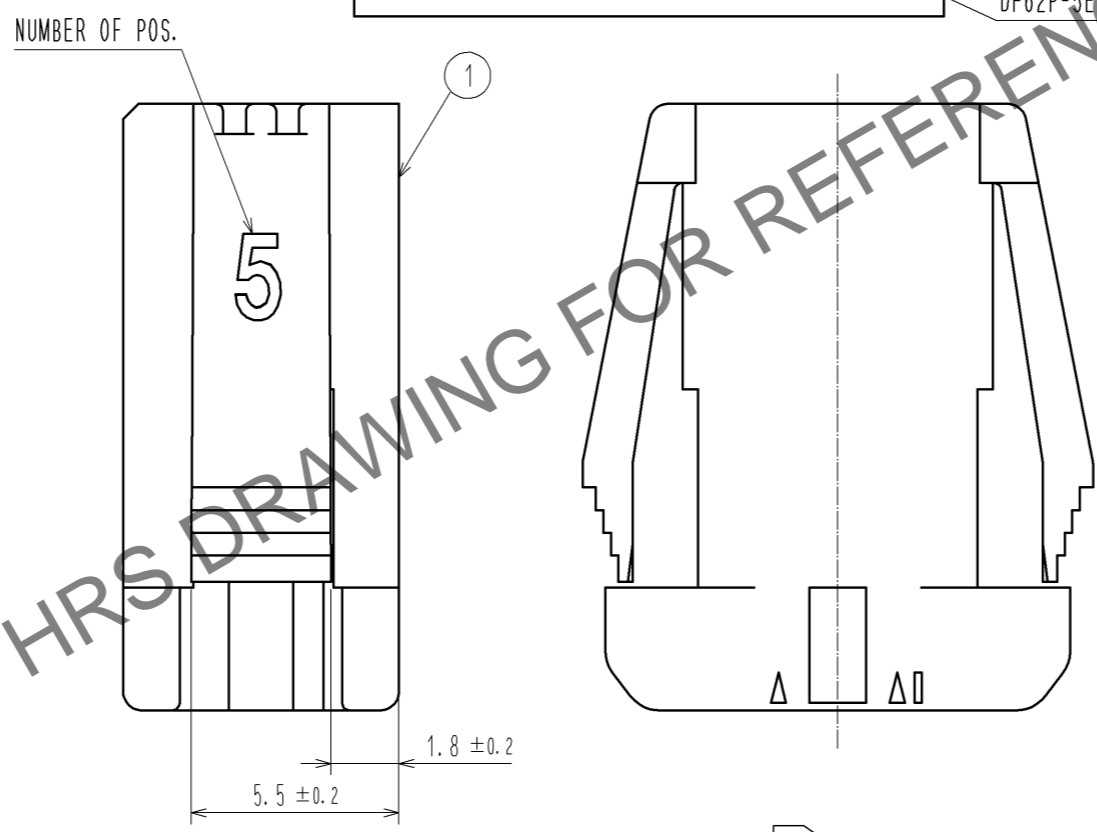
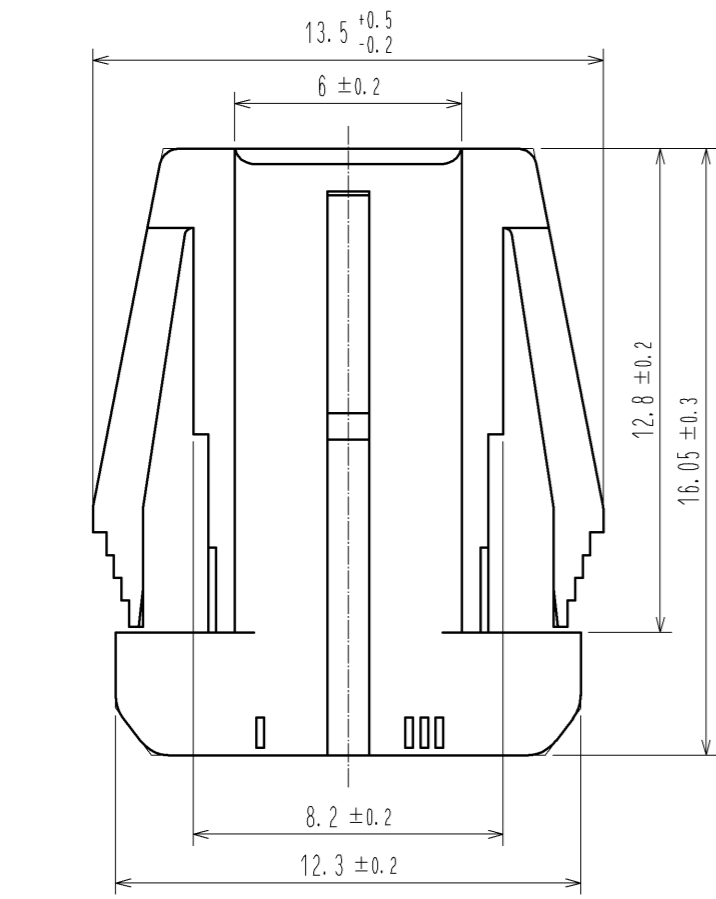
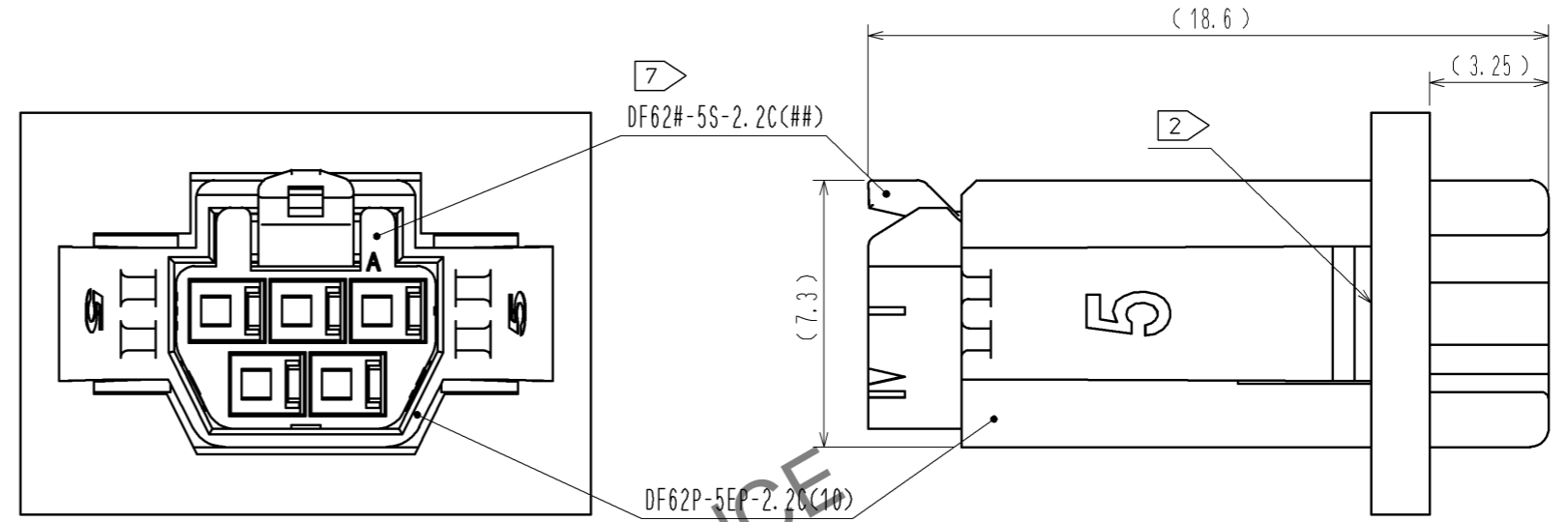


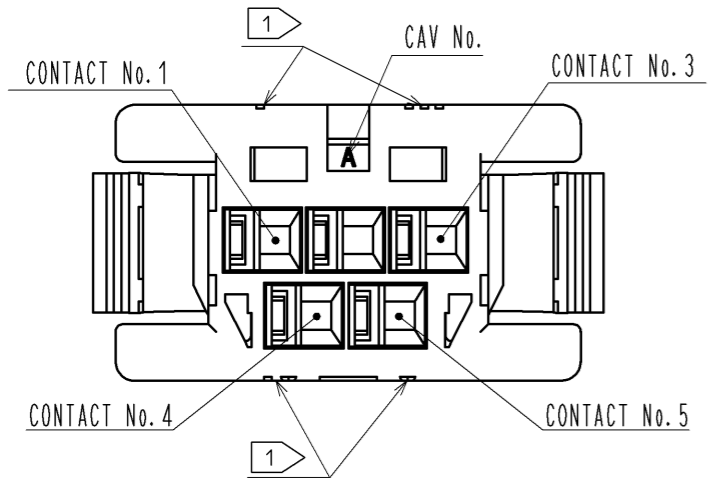
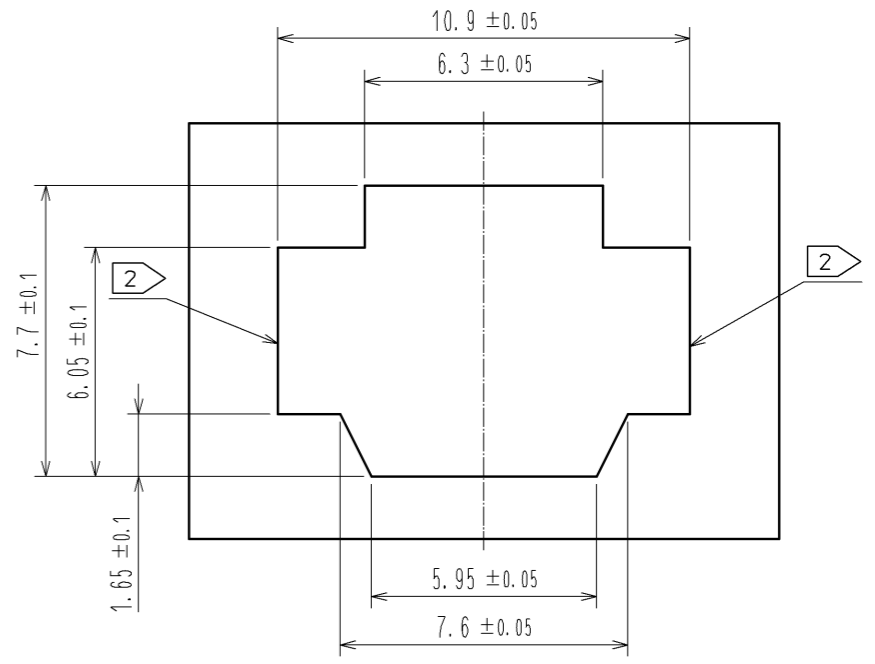
Oct.1.2024 Copyright 2024 HIROSE ELECTRIC CO., LTD. All Rights Reserved.
In case of consideration for using Automotive equipment / device which demand high reliability, kindly contact our sales window correspondents.



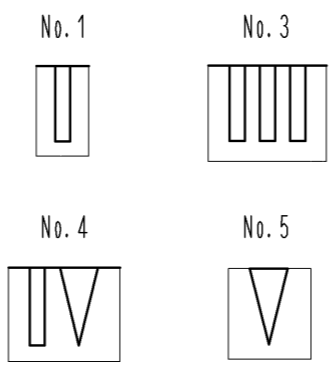
7 MATING FIGURE (PANEL MOUNTED)



3 RECOMMENDED PANEL CUTOUT DIMENSION



1 FIGURE-1 CONTACT No. MARKING (10:1)



- NOTE.
- 1 MARKINGS AT THE INDICATED POSITIONS ARE CONTACT NO. MARKING. AND SHAPES ARE SHOWN IN FIGURE-1.
 - 2 PLEASE USE THE NON-RADIUS SIDE FOR THE PANEL HOOKING AREA.
 - 3 APPLICABLE PANEL THICKENING IS 2.3 TO 0.5mm.
 - 4 CONSULT HIROSE FOR THE OTHER PANEL CUTOUT DESIGNS THAN THE RECOMMENDED ONE.
 - 5. PER PACK : 100 PIECES.
 - 6. THE DIMENSIONS IN PARENTHESIS ARE FOR REFERENCE.
 - 7 THIS FIGURE SHOWS THE MATED CONDITION WITH DF62B-5S-2.2C.

NO.		MATERIAL		FINISH . REMARKS		1	PBT	UL94V-0(WHITE)
UNITS mm		SCALE 5 : 1		COUNT		DESIGNED		CHECKED
APPROVED : KI. AKIYAMA		14.03.10		DRAWING NO.		EDC3-349138-01		
CHECED : HK. UMEHARA		14.03.10		PART NO.		DF62P-5EP-2.2C(10)		
DESIGNED : TS. KUMAZAWA		14.03.07		CODE NO.		CL544-0546-0-10		
DRAWN : TS. KUMAZAWA		14.03.07						1/1