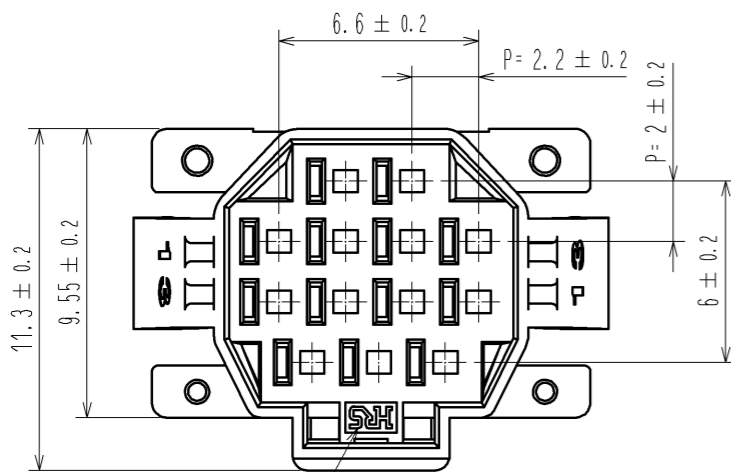
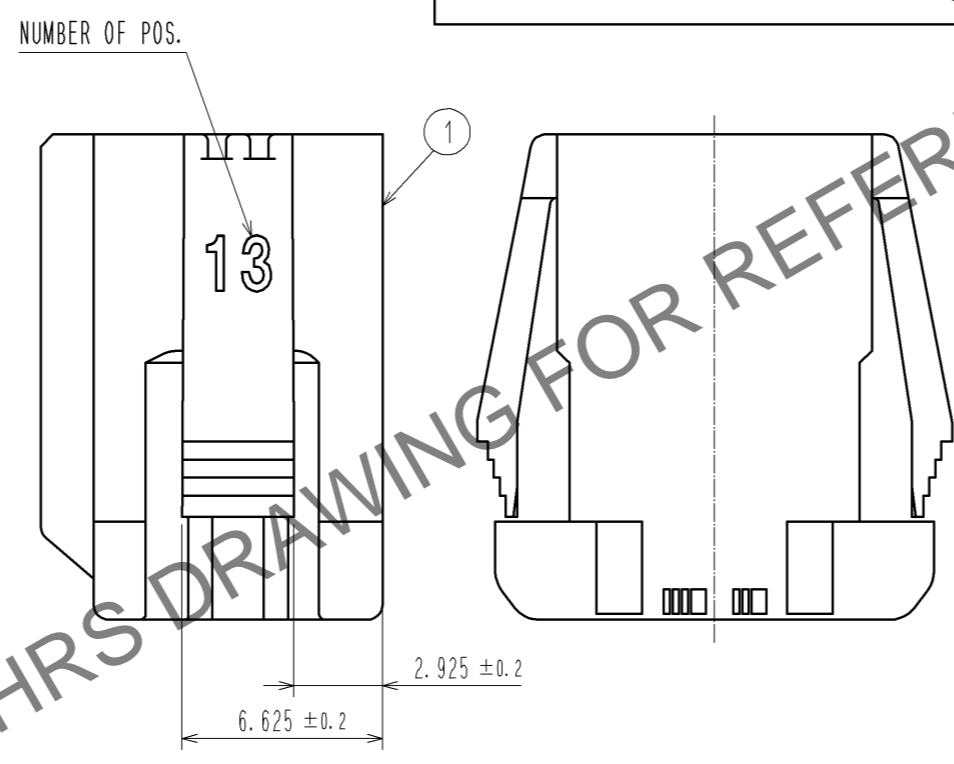
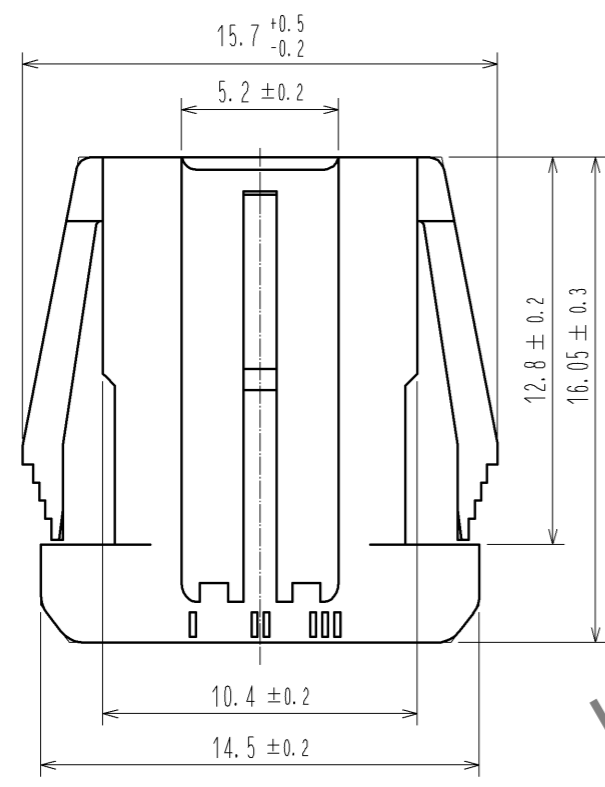
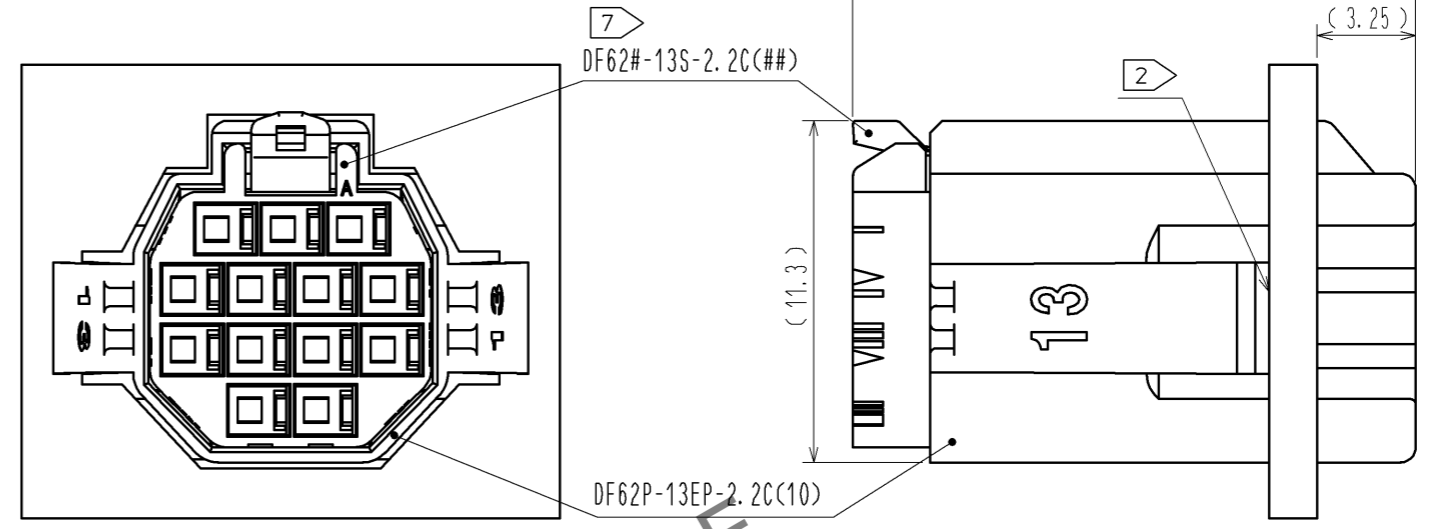


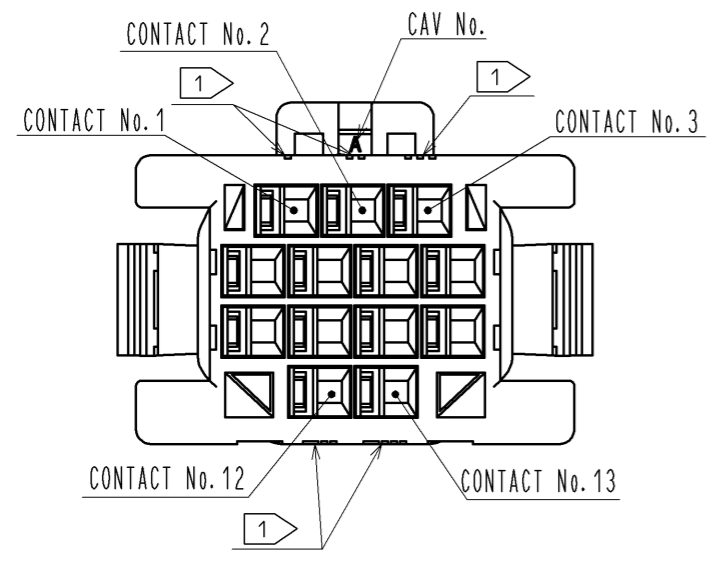
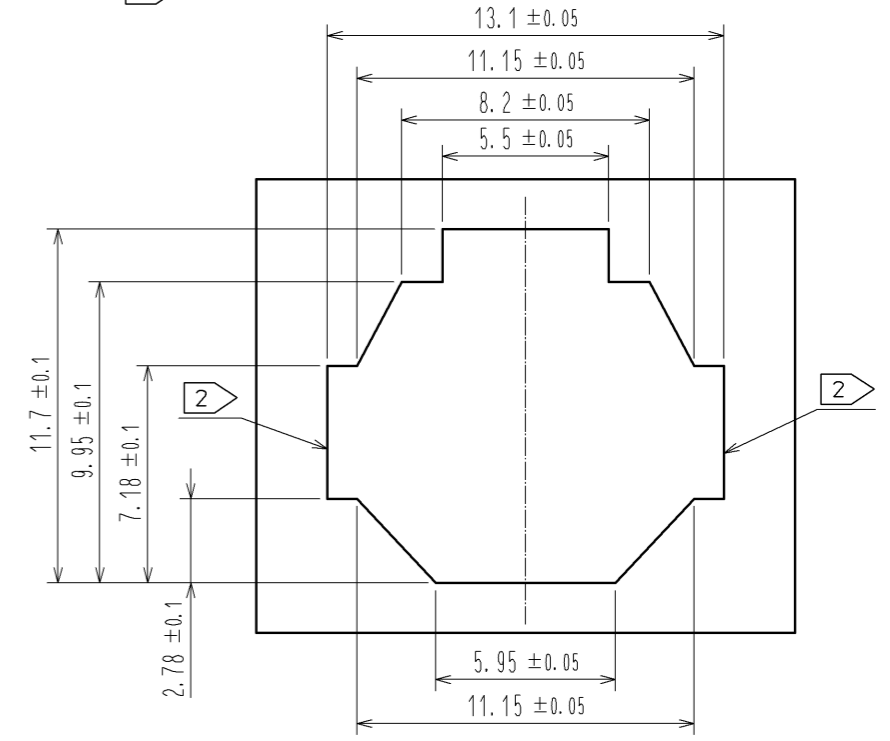
Sep.1.2024 Copyright 2024 HIROSE ELECTRIC CO., LTD. All Rights Reserved.  
In case of consideration for using Automotive equipment / device which demand high reliability, kindly contact our sales window correspondents.



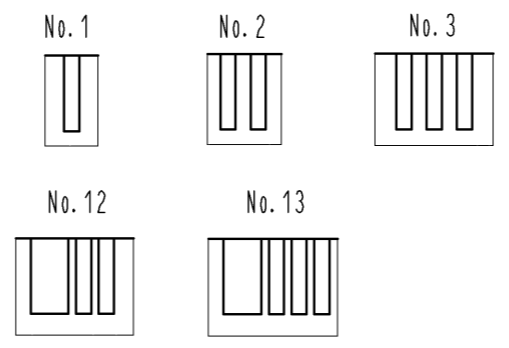
7 MATING FIGURE (PANEL MOUNTED)



3 4 RECOMMENDED PANEL CUTOUT DIMENSION



1 FIGURE-1 CONTACT No. MARKING (10:1)



- NOTE. 1 MARKINGS AT THE INDICATED POSITIONS ARE CONTACT NO. MARKING. AND SHAPES ARE SHOWN IN FIGURE-1.  
 2 PLEASE USE THE NON-RADIUS SIDE FOR THE PANEL HOOKING AREA.  
 3 APPLICABLE PANEL THICKENING IS 2.3 TO 0.5mm.  
 4 CONSULT HIROSE FOR THE OTHER PANEL CUTOUT DESIGNS THAN THE RECOMMENDED ONE.  
 5. PER PACK : 100 PIECES.  
 6. THE DIMENSIONS IN PARENTHESIS ARE FOR REFERENCE.  
 7 THIS FIGURE SHOWS THE MATED CONDITION WITH DF62B-13S-2.2C.

NO.		MATERIAL		FINISH . REMARKS		1	PBT	UL94V-0(WHITE)		
UNITS mm		SCALE 4 : 1		COUNT		DESCRIPTION OF REVISIONS		DESIGNED	CHECKED	DATE
<b>HRS</b>		HIROSE ELECTRIC CO., LTD.		APPROVED : KI. AKIYAMA		14. 03. 10		DRAWING NO. EDC3-349141-01		
				CHECKED : HK. UMEHARA		14. 03. 10		PART NO. DF62P-13EP-2.2C(10)		
				DESIGNED : TS. KUMAZAWA		14. 03. 07		CODE NO. CL544-0549-8-10		
				DRAWN : TS. KUMAZAWA		14. 03. 07		1/1		