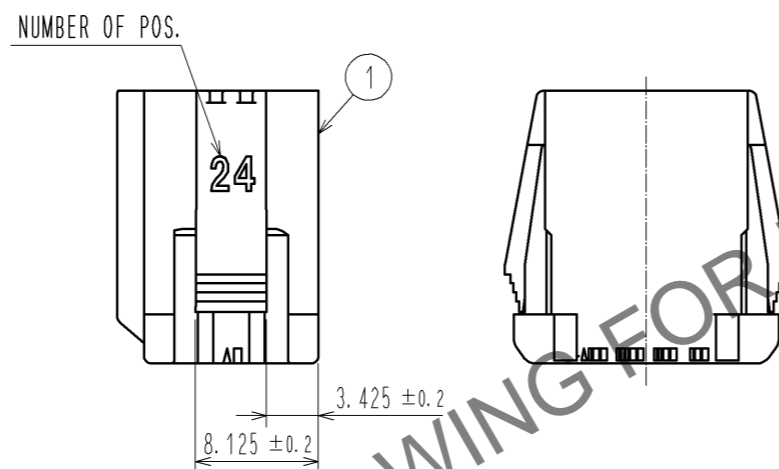
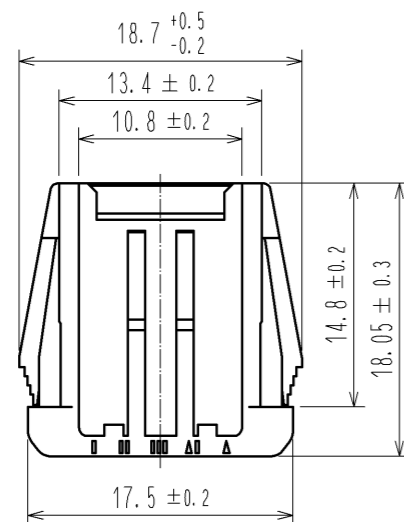
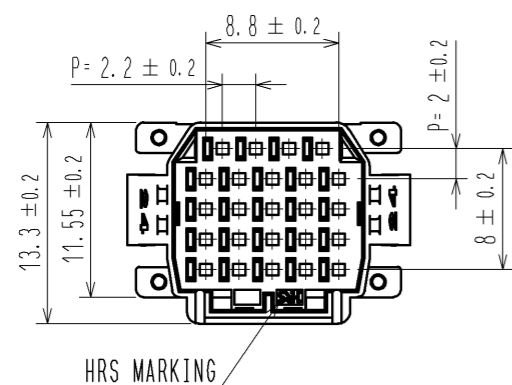
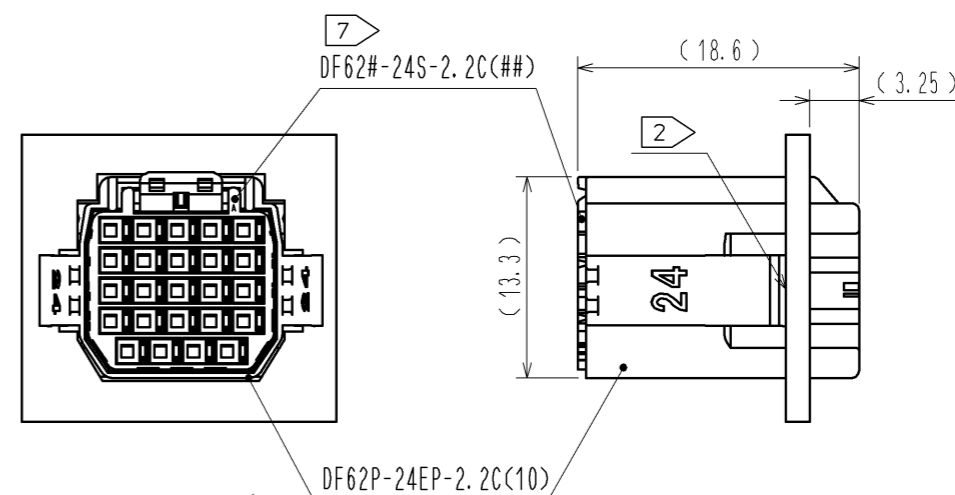


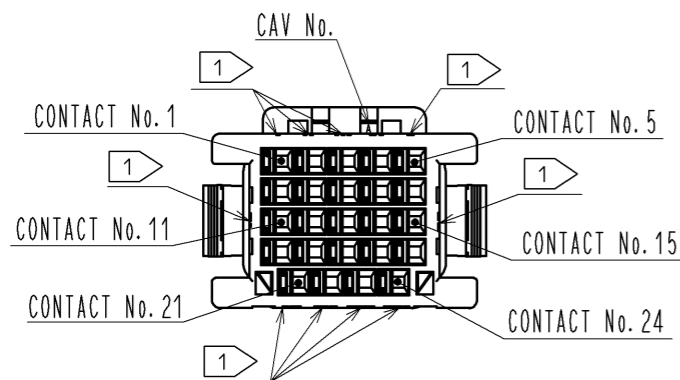
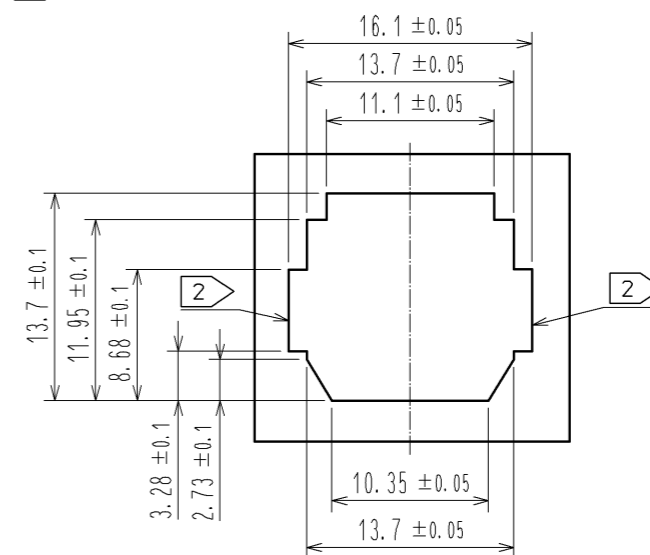
Sep.1.2024 Copyright 2024 HIROSE ELECTRIC CO., LTD. All Rights Reserved.  
In case of consideration for using Automotive equipment / device which demand high reliability, kindly contact our sales window correspondents.



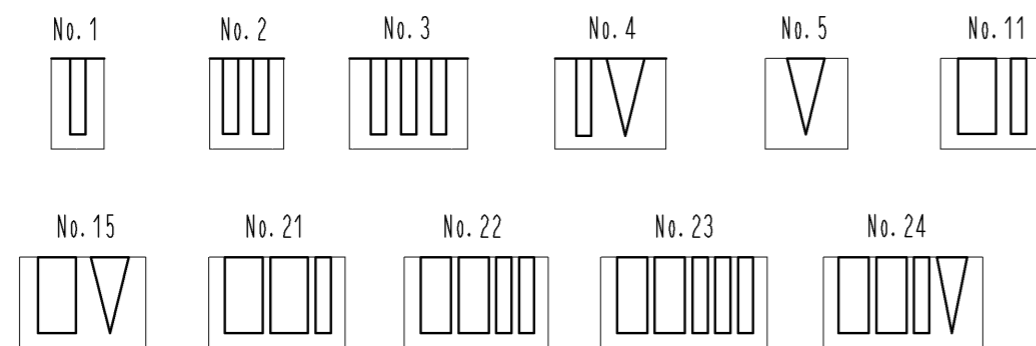
7 MATING FIGURE (PANEL MOUNTED)



3 RECOMMENDED PANEL CUTOUT DIMENSION



1 FIGURE-1 CONTACT No. MARKING (10:1)



- NOTE. 1 MARKINGS AT THE INDICATED POSITIONS ARE CONTACT NO. MARKING. AND SHAPES ARE SHOWN IN FIGURE-1.  
 2 PLEASE USE THE NON-RADIUS SIDE FOR THE PANEL HOOKING AREA.  
 3 APPLICABLE PANEL THICKENING IS 2.3 TO 0.5mm.  
 4 CONSULT HIROSE FOR THE OTHER PANEL CUTOUT DESIGNS THAN THE RECOMMENDED ONE.  
 5. PER PACK : 100 PIECES.  
 6. THE DIMENSIONS IN PARENTHESIS ARE FOR REFERENCE.  
 7 THIS FIGURE SHOWS THE MATED CONDITION WITH DF62B-24S-2.2C.

NO.		MATERIAL	FINISH . REMARKS	1	PBT	UL94V-0<WHITE>
UNITS mm			SCALE 2 : 1	DESIGNED		CHECKED
HRS		HIROSE ELECTRIC CO., LTD.	COUNT 	DESCRIPTION OF REVISIONS		DATE
APPROVED : KI. AKIYAMA		14. 03. 10	DRAWING NO.		EDC3-349142-01	
CHECKED : HK. UMEHARA		14. 03. 10	PART NO.		DF62P-24EP-2.2C(10)	
DESIGNED : TS. KUMAZAWA		14. 03. 07	CODE NO.		CL544-0550-7-10	
DRAWN : TS. KUMAZAWA		14. 03. 07	NO.			