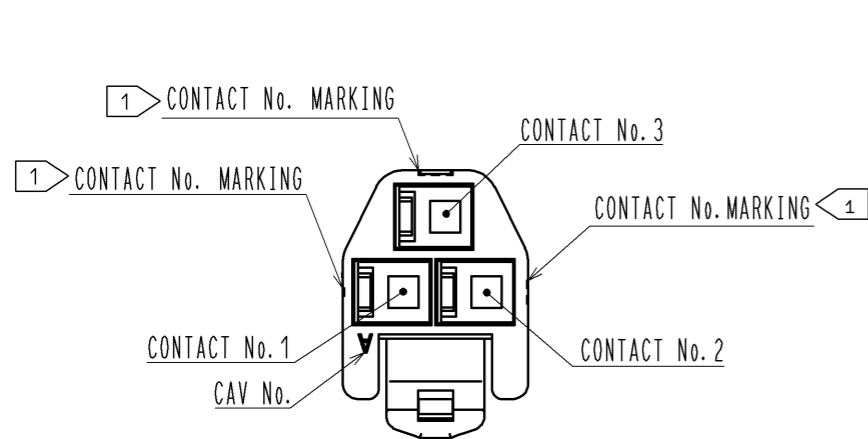
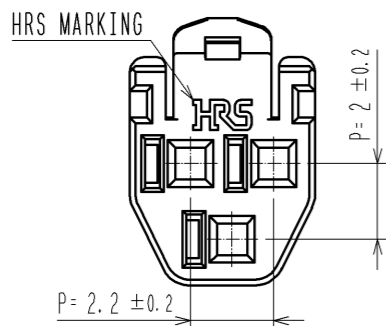
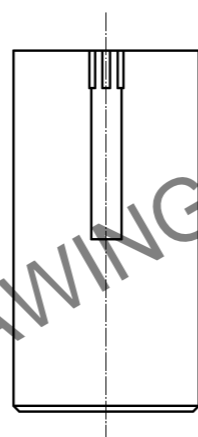
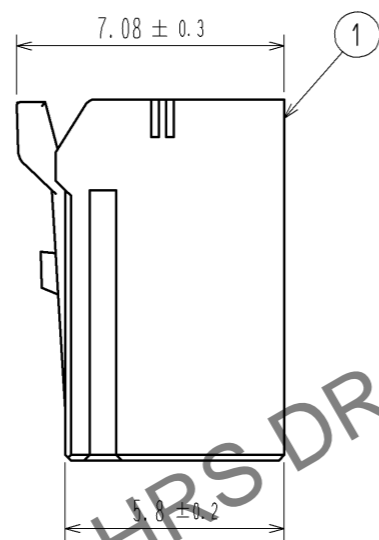
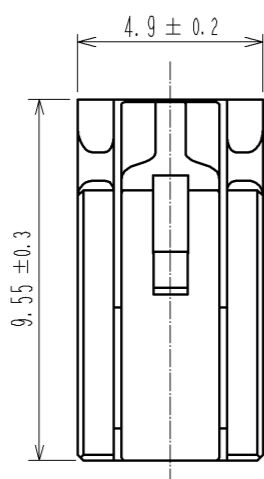
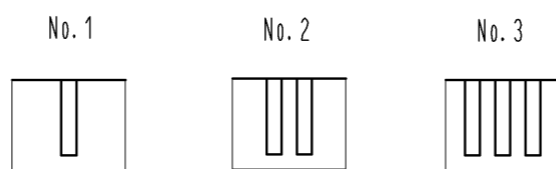


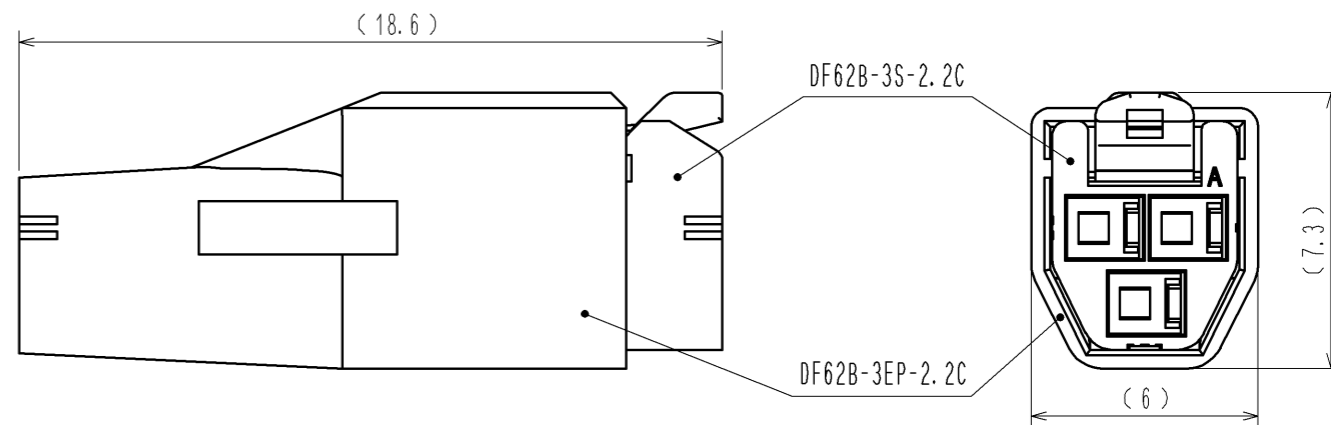
Jan.1.2025 Copyright 2025 HIROSE ELECTRIC CO., LTD. All Rights Reserved.  
 In case of consideration for using Automotive equipment / device which demand high reliability, kindly contact our sales window correspondents.



1> FIGURE-1 CONTACT No. MARKING (10:1)



MATING FIGURE



- NOTE. 1> MARKINGS AT THE INDICATED POSITIONS IS CONTACT NO. MARKING. AND SHAPES ARE SHOWN IN FIGURE-1.  
 2. PER PACK : 100 PIECES.  
 3. THE DIMENSIONS IN PARENTHESIS ARE FOR REFERENCE.

NO.	MATERIAL	FINISH . REMARKS	NO.	MATERIAL	FINISH . REMARKS
			1	PBT	UL94V-0(WHITE)
UNITS mm		SCALE 5 : 1		DESCRIPTION OF REVISIONS	DESIGNED
<b>HRS</b>	HIROSE ELECTRIC CO., LTD.	APPROVED : KI. AKIYAMA	13. 06. 06	DRAWING NO.	EDC3-351956-00
		CHECED : MN. KENJO	13. 06. 06	PART NO.	DF62B-3S-2. 2C
		DESIGNED : TH. YOSHIZAWA	13. 06. 06	CODE NO.	CL544-0552-2-00
		DRAWN : TH. YOSHIZAWA	13. 06. 06		