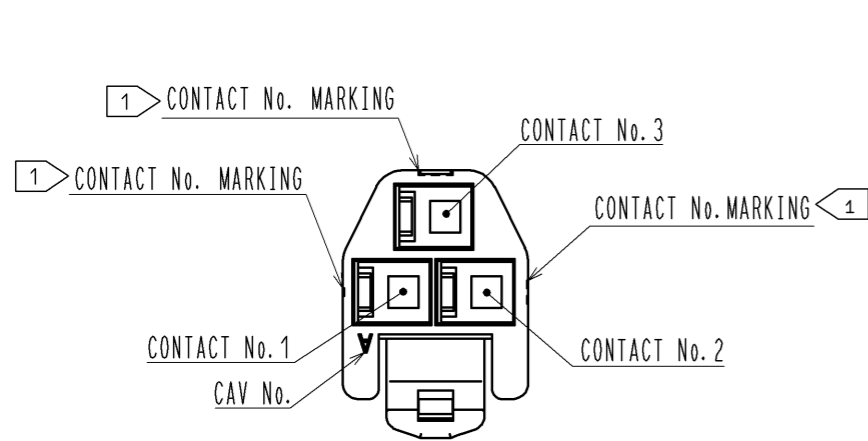
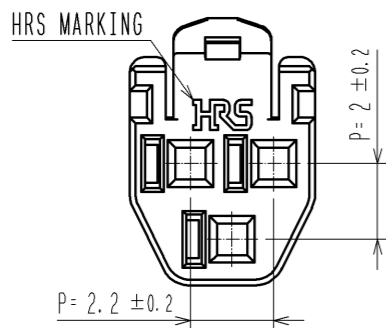
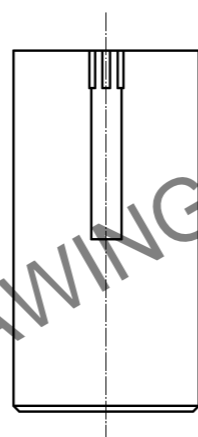
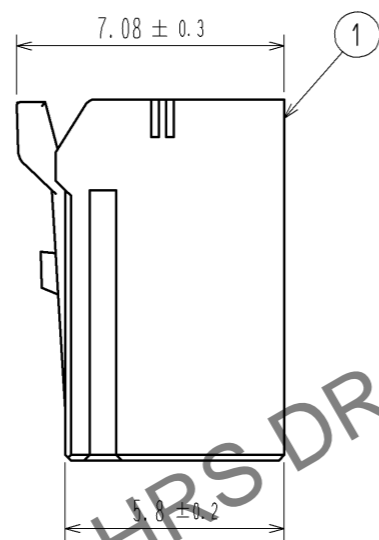
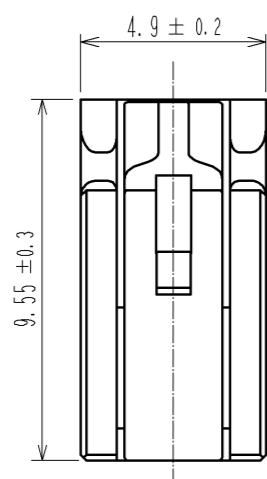
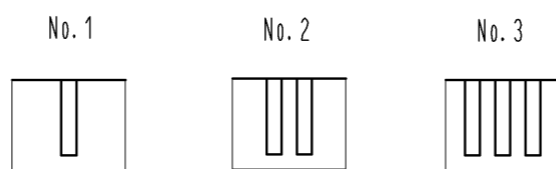


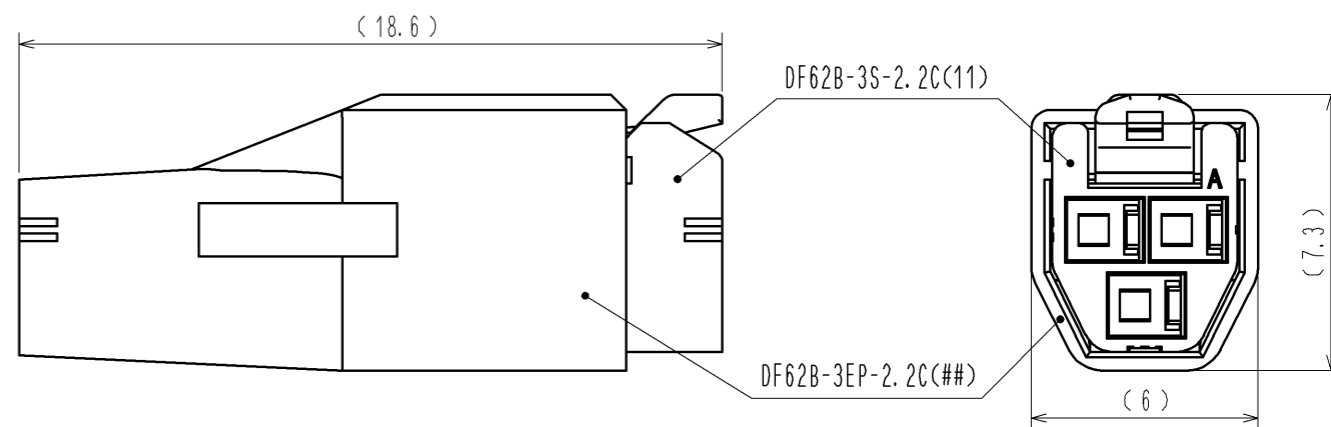
Oct.1.2024 Copyright 2024 HIROSE ELECTRIC CO., LTD. All Rights Reserved.
 In case of consideration for using Automotive equipment / device which demand high reliability, kindly contact our sales window correspondents.



1> FIGURE-1 CONTACT No. MARKING (10:1)



MATING FIGURE



- NOTE. 1> MARKINGS AT THE INDICATED POSITIONS IS CONTACT NO. MARKING. AND SHAPES ARE SHOWN IN FIGURE-1.
 2. PER PACK : 100 PIECES.
 3. THE DIMENSIONS IN PARENTHESIS ARE FOR REFERENCE.

NO.	MATERIAL	FINISH . REMARKS	NO.	MATERIAL	FINISH . REMARKS
			1	PBT	UL94V-0<BLACK>
UNITS mm		SCALE 5 : 1	COUNT 	DESCRIPTION OF REVISIONS	DESIGNED
HRS	HIROSE ELECTRIC CO., LTD.	APPROVED : KI. AKIYAMA	13. 09. 11	DRAWING NO.	EDC3-351956-01
		CHECED : OM. MIYAMOTO	13. 09. 11	PART NO.	DF62B-3S-2. 2C(11)
		DESIGNED : TH. YOSHIZAWA	13. 09. 11	CODE NO.	CL544-0552-2-11
		DRAWN : MI. SAKIMURA	13. 09. 06		1/1