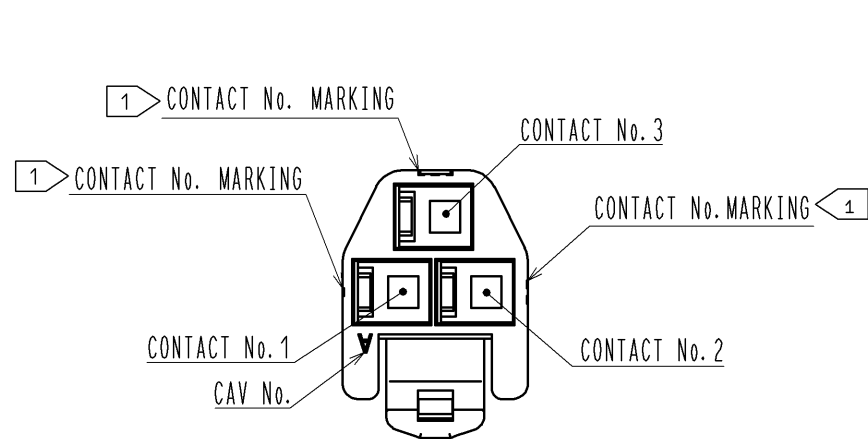
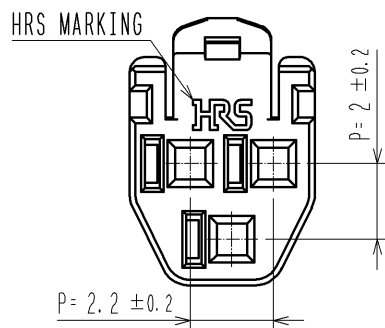
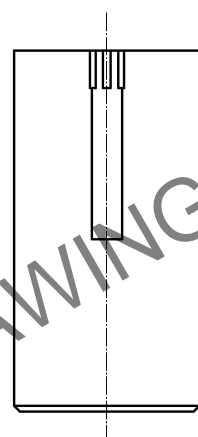
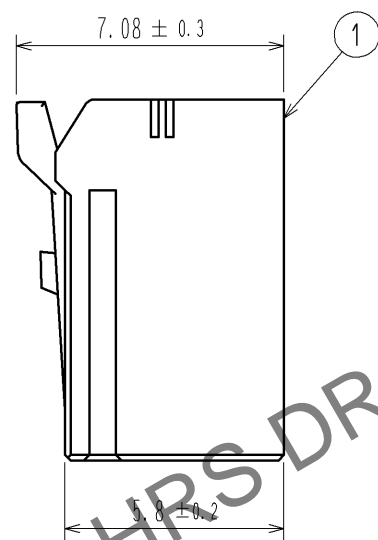
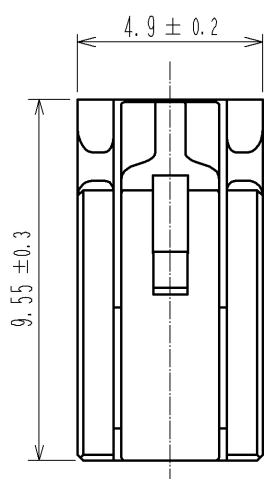
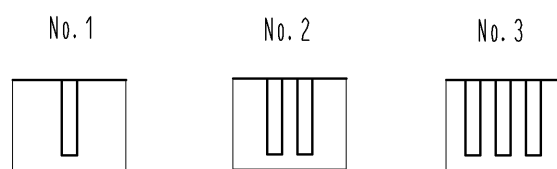


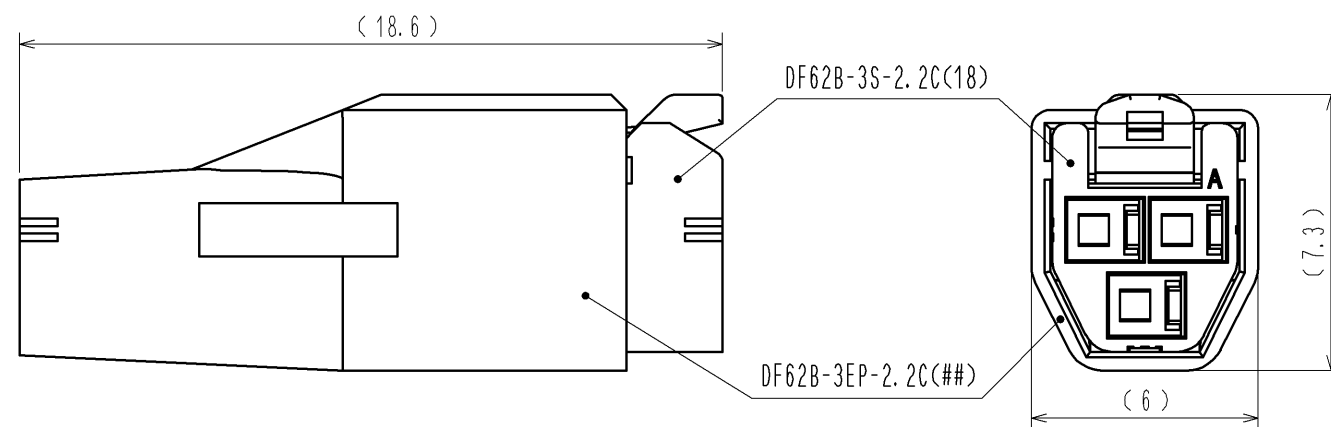
Oct.1.2024 Copyright 2024 HIROSE ELECTRIC CO., LTD. All Rights Reserved.
 In case of consideration for using Automotive equipment / device which demand high reliability, kindly contact our sales window correspondents.



1) FIGURE-1 CONTACT No. MARKING (10:1)



MATING FIGURE



- NOTE. 1) MARKINGS AT THE INDICATED POSITIONS IS CONTACT NO. MARKING. AND SHAPES ARE SHOWN IN FIGURE-1.
 2. PER PACK : 100 PIECES.
 3. THE DIMENSIONS IN PARENTHESIS ARE FOR REFERENCE.

| | | | | | |
|-------------|---------------------------------|--------------------------|------------|--------------------------|--------------------|
| NO. | MATERIAL | FINISH . REMARKS | 1 | PBT | UL94V-0(RED) |
| UNITS mm | | SCALE 5 : 1 | COUNT | DESCRIPTION OF REVISIONS | DESIGNED |
| HRS | HIROSE ELECTRIC CO., LTD. | APPROVED : KI. AKIYAMA | 13. 09. 11 | DRAWING NO. | EDC3-351956-02 |
| | | CHECED : OM. MIYAMOTO | 13. 09. 11 | PART NO. | DF62B-3S-2. 2C(18) |
| | | DESIGNED : TH. YOSHIZAWA | 13. 09. 11 | CODE NO. | CL544-0552-2-18 |
| | | DRAWN : MI. SAKIMURA | 13. 09. 06 | | 1/1 |