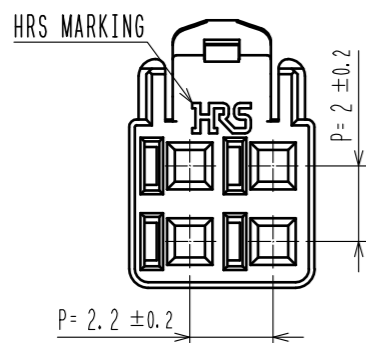
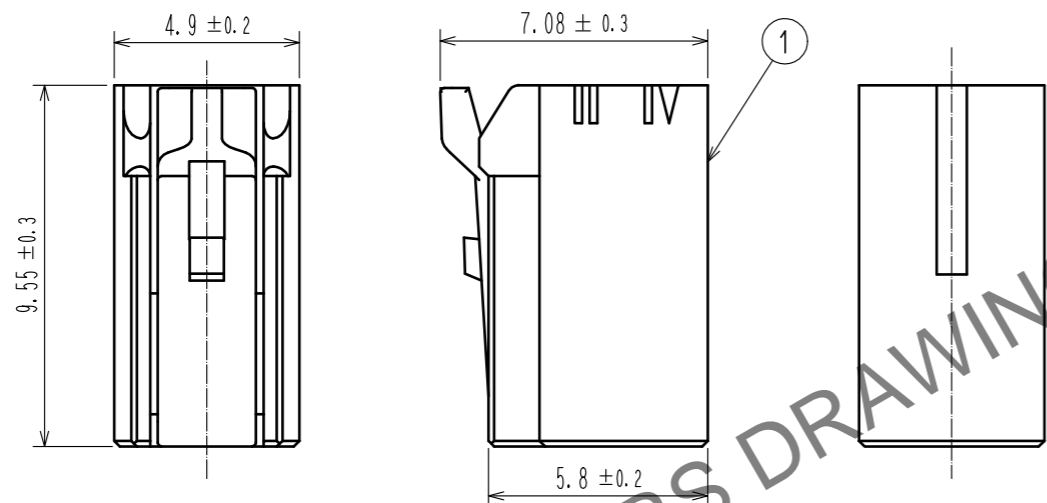
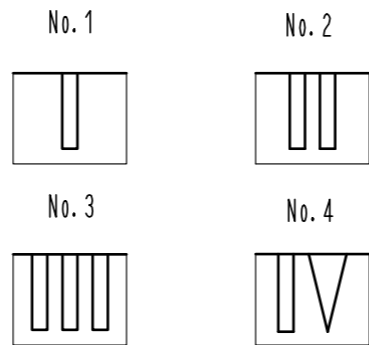
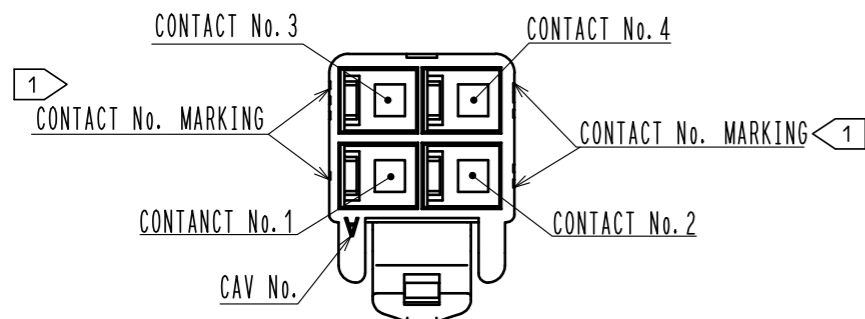


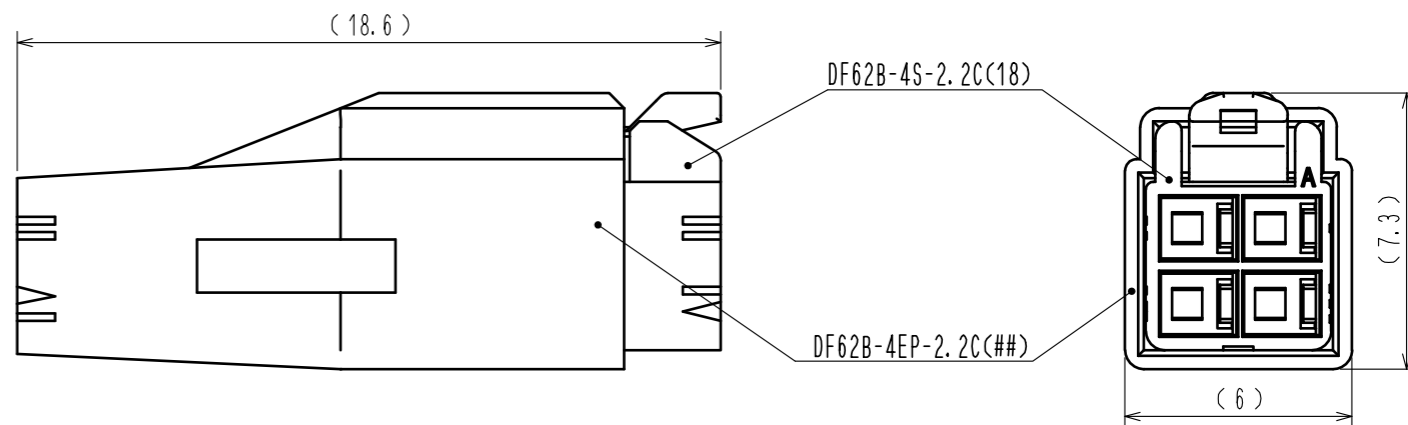
Oct.1.2024 Copyright 2024 HIROSE ELECTRIC CO., LTD. All Rights Reserved.
In case of consideration for using Automotive equipment / device which demand high reliability, kindly contact our sales window correspondents.

1> FIGURE-1 CONTACT No. MARKING (10:1)



HRS DRAWING FOR REFERENCE

MATING FIGURE



- NOTE. 1> MARKINGS AT THE INDICATED POSITIONS ARE CONTACT NO. MARKING. AND SHAPES ARE SHOWN IN FIGURE-1.
2. PER PACK : 100 PIECES.
3. THE DIMENSIONS IN PARENTHESIS ARE FOR REFERENCE.

| | | | | | | | | | | |
|----------------------------------|--|-------------------------|--|------------------|--|--------------------------|-----|-------------------|---------|------|
| NO. | | MATERIAL | | FINISH . REMARKS | | 1 | PBT | UL94V-0 (RED) | | |
| UNITS mm | | SCALE 5 : 1 | | COUNT | | DESCRIPTION OF REVISIONS | | DESIGNED | CHECKED | DATE |
| HIROSE ELECTRIC CO., LTD. | | APPROVED : KI. AKIYAMA | | 16.03.25 | | DRAWING NO. | | EDC-351957-18-00 | | |
| | | CHECKED : TS. FUKUSHIMA | | 16.03.25 | | PART NO. | | DF62B-4S-2.2C(18) | | |
| | | DESIGNED : TS. KUMAZAWA | | 16.03.25 | | CODE NO. | | CL544-0553-5-18 | | |
| | | DRAWN : TS. KUMAZAWA | | 16.03.25 | | | | | | |