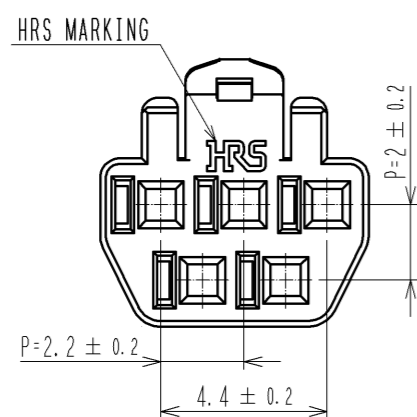
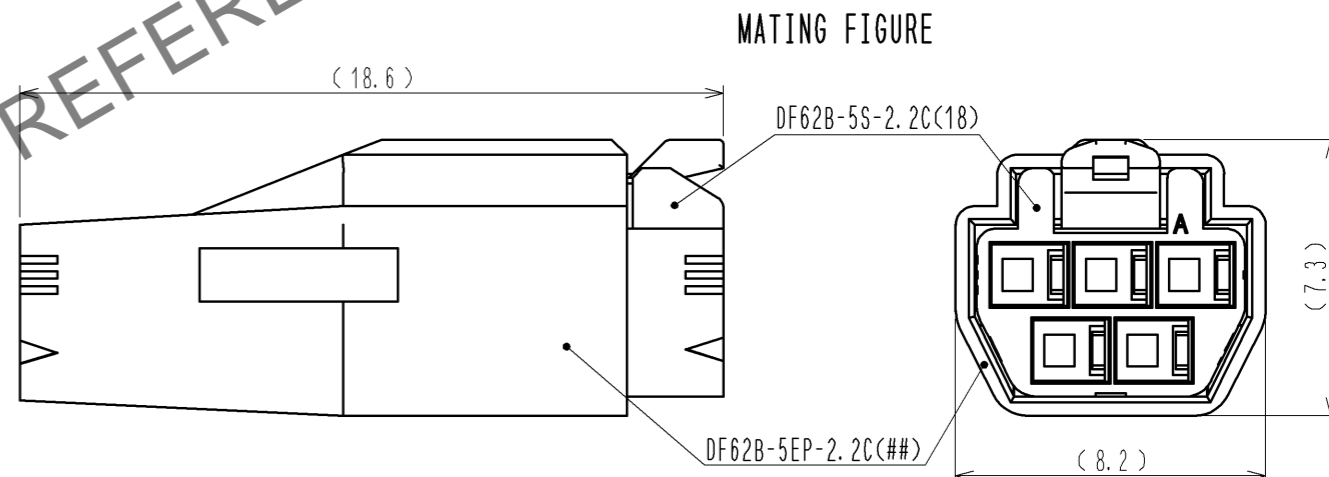
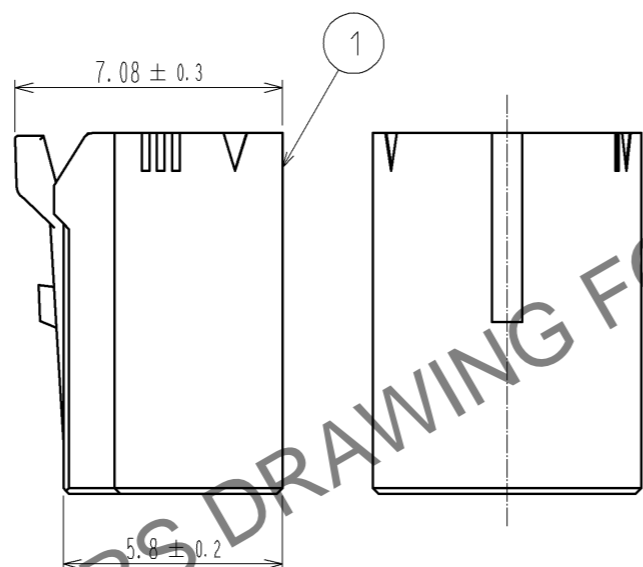
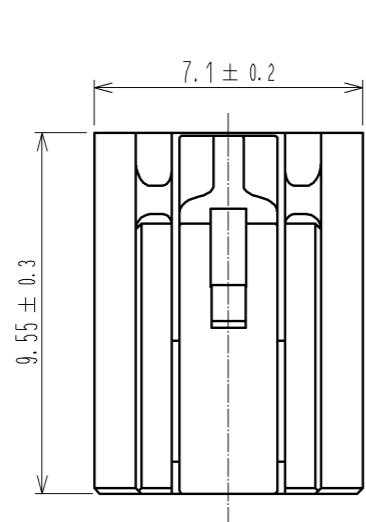
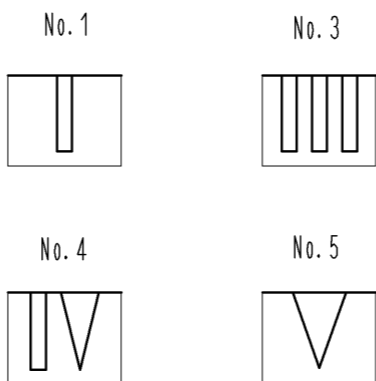
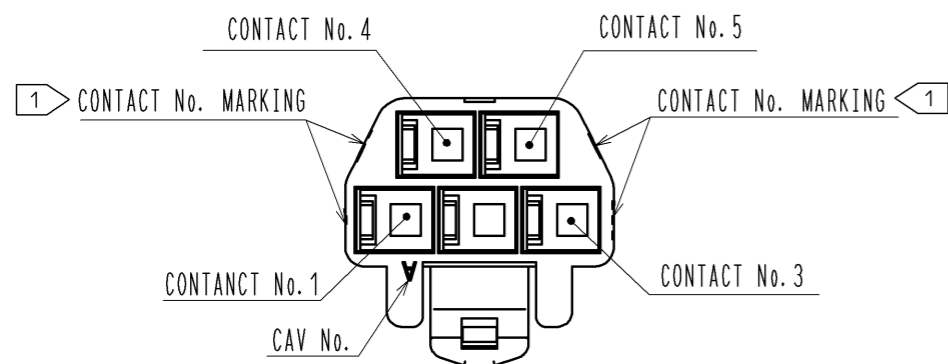


Oct.1.2024 Copyright 2024 HIROSE ELECTRIC CO., LTD. All Rights Reserved.  
 In case of consideration for using Automotive equipment / device which demand high reliability, kindly contact our sales window correspondents.

1 FIGURE-1 CONTACT No. MARKING (10:1)



- NOTE. 1 MARKINGS AT THE INDICATED POSITIONS ARE CONTACT NO. MARKING. AND SHAPES ARE SHOWN IN FIGURE-1.  
 2. PER PACK : 100 PIECES.  
 3. THE DIMENSIONS IN PARENTHESIS ARE FOR REFERENCE.

NO.	MATERIAL	FINISH . REMARKS	NO.	MATERIAL	FINISH . REMARKS		
1	PBT			UL94V-0 (RED)			
UNITS	mm	SCALE	COUNT	DESCRIPTION OF REVISIONS	DESIGNED	CHECKED	DATE
		5 : 1	△				
<b>HRS</b> HIROSE ELECTRIC CO., LTD.		APPROVED : KI. AKIYAMA	13. 09. 11	DRAWING NO.	EDC3-351959-02		
		CHECKED : OM. MIYAMOTO	13. 09. 11	PART NO.	DF62B-5S-2. 2C(18)		
		DESIGNED : TH. YOSHIZAWA	13. 09. 11	CODE NO.	CL544-0554-8-18		
		DRAWN : MI. SAKIMURA	13. 09. 06		△ 1/1		