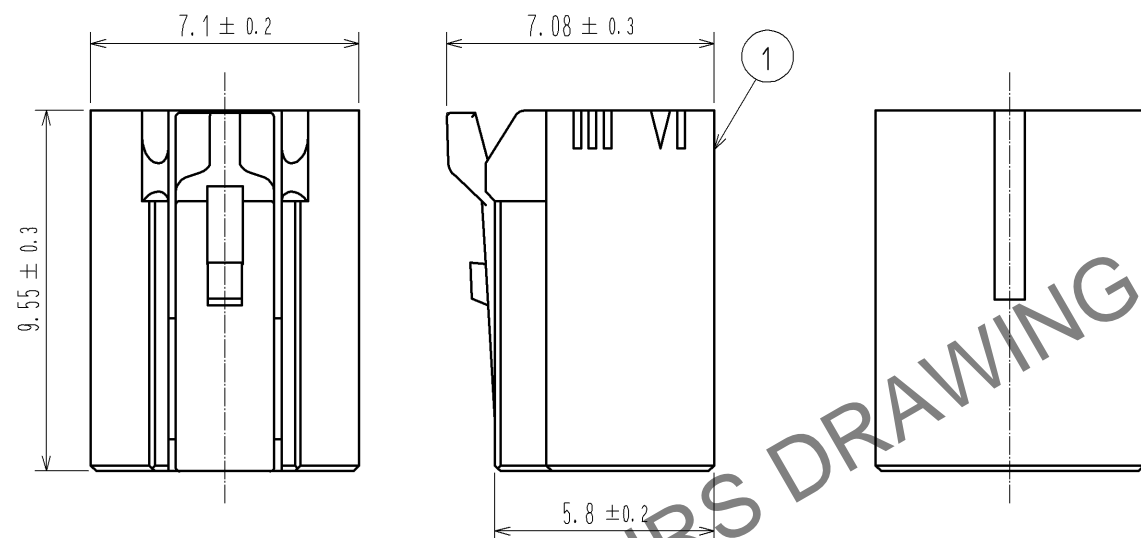
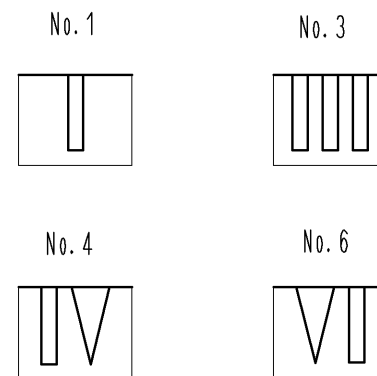
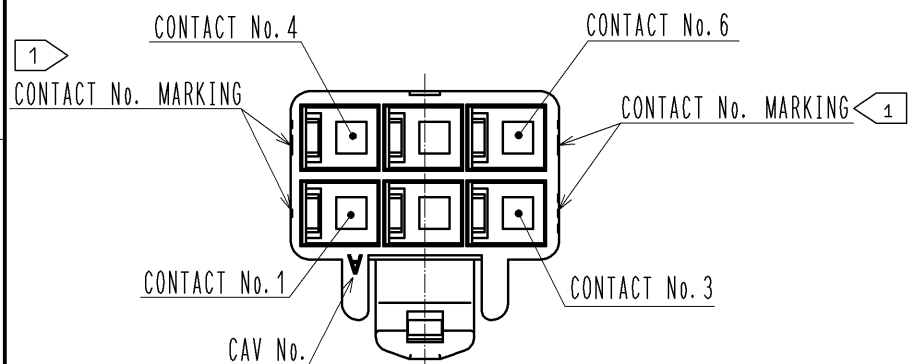
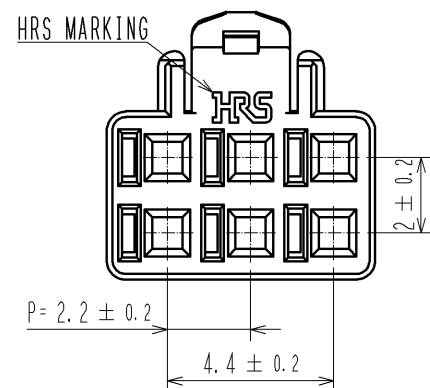
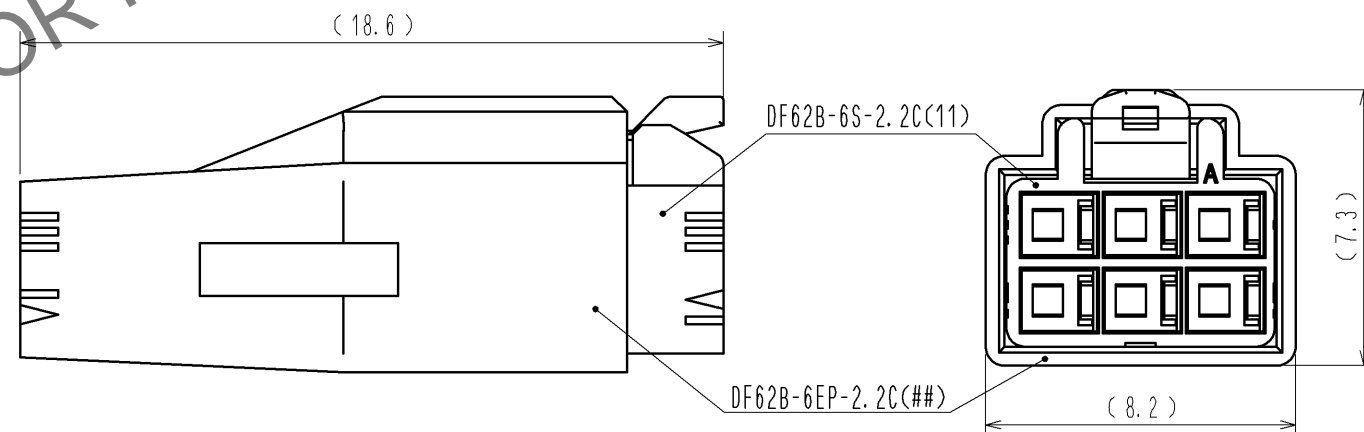


Sep.1.2024 Copyright 2024 HIROSE ELECTRIC CO., LTD. All Rights Reserved.  
 In case of consideration for using Automotive equipment / device which demand high reliability, kindly contact our sales window correspondents.

1> FIGURE-1 CONTACT No. MARKING (10:1)



MATING FIGURE



NOTE. 1> MARKINGS AT THE INDICATED POSITIONS ARE CONTACT NO. MARKING. AND SHAPES ARE SHOWN IN FIGURE-1.  
 2. PER PACK : 100 PIECES.  
 3. THE DIMENSIONS IN PARENTHESIS ARE FOR REFERENCE.

NO.	MATERIAL	FINISH . REMARKS	NO.	MATERIAL	FINISH . REMARKS
			1	PBT	UL94V-0 (BLACK)
UNITS	mm	SCALE	5 : 1	COUNT	DESCRIPTION OF REVISIONS
		APPROVED	: KI. AKIYAMA	13.05.29	DRAWING NO.
		CHECED	: HK. UMEHARA	13.05.29	PART NO.
		DESIGNED	: TS. KUMAZAWA	13.05.29	CODE NO.
		DRAWN	: TS. KUMAZAWA	13.05.29	CL544-0555-0-11
			EDC3-351960-01		
			DF62B-6S-2.2C(11)		
			1/1		