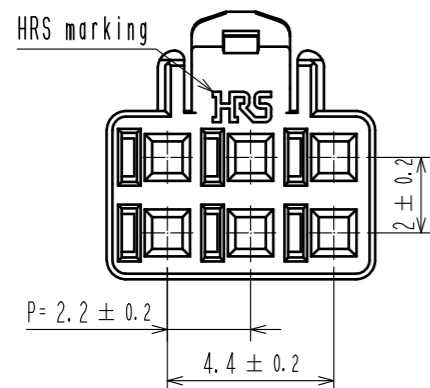
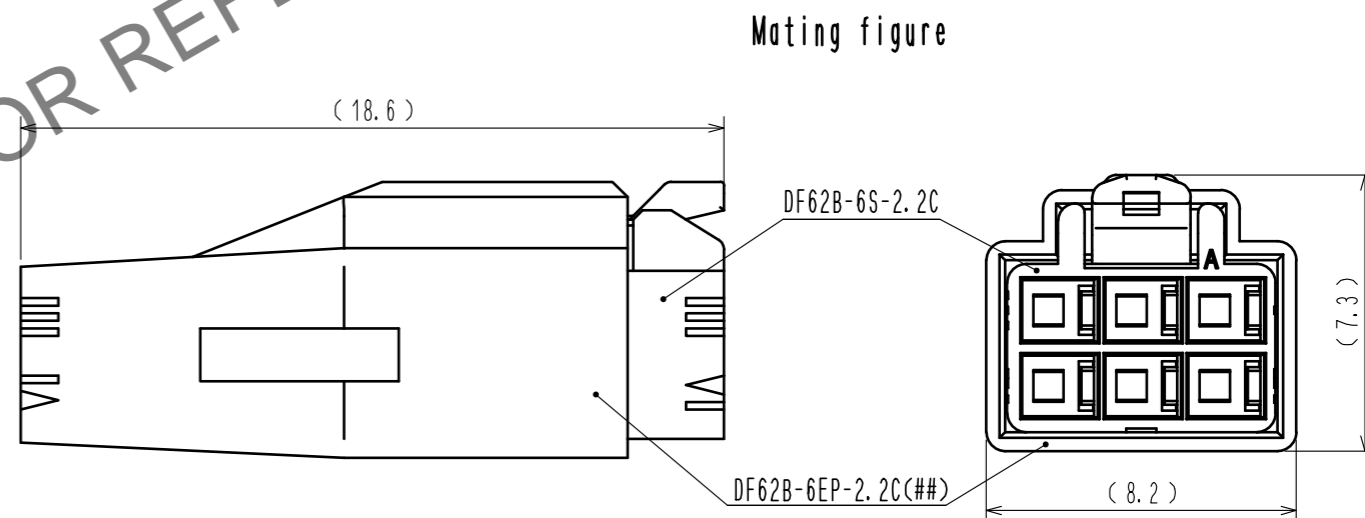
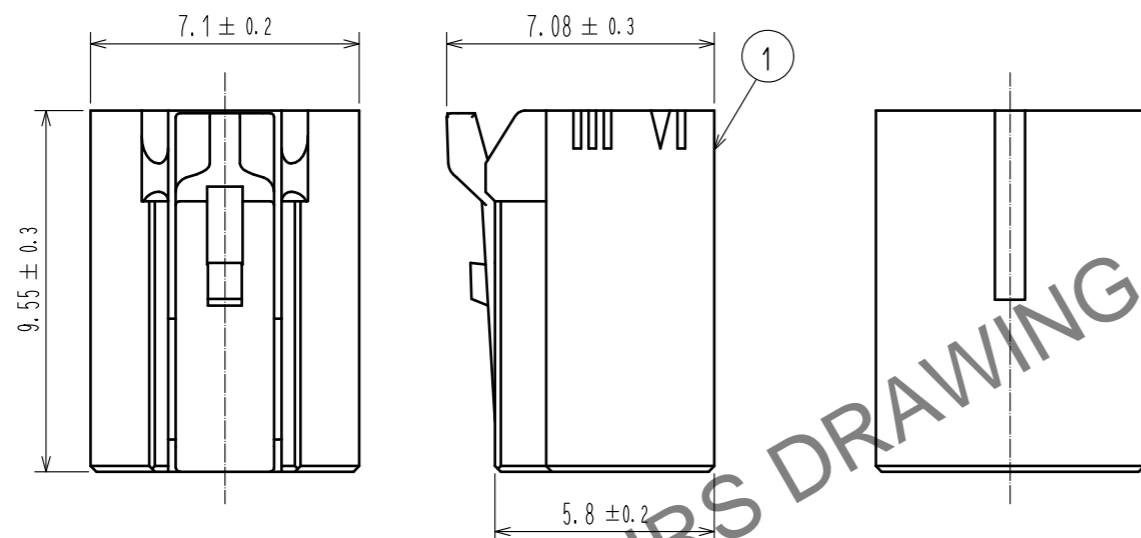
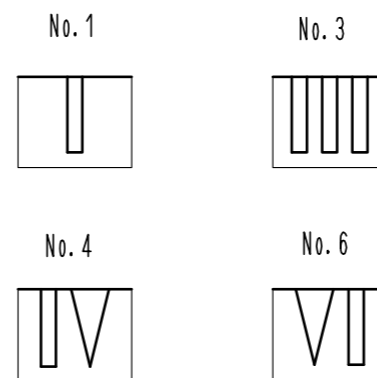
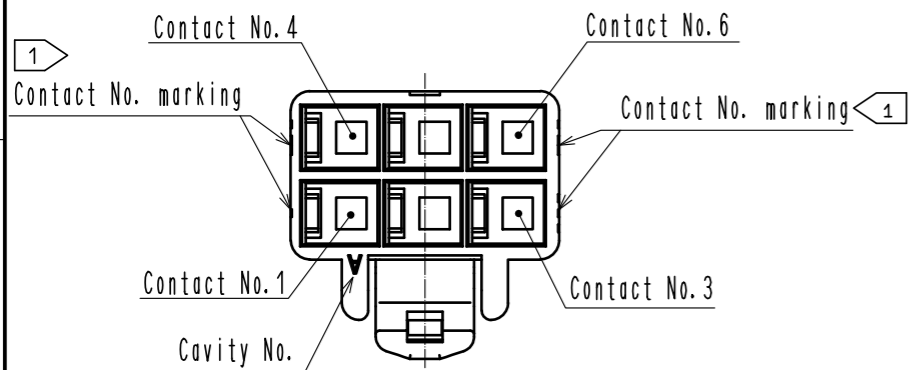


Dec.1.2024 Copyright 2024 HIROSE ELECTRIC CO., LTD. All Rights Reserved.
 In case of consideration for using Automotive equipment / device which demand high reliability, kindly contact our sales window correspondents.

Figure-1 contact No. marking (10:1)



NOTE. 1. Marking at the indicated positions are contact No. marking and shapes are shown in figure-1.
 2. Per pack : 100 pieces.
 3. The dimensions in parenthesis are for reference.

NO.	MATERIAL	FINISH . REMARKS	NO.	MATERIAL	FINISH . REMARKS			
			1	PBT	UL94V-0 (RED)			
UNITS	SCALE	COUNT	DESCRIPTION OF REVISIONS			DESIGNED	CHECKED	DATE
mm	5 : 1	△						
APPROVED : HS. OKAWA			16.07.05			DRAWING NO. EDC-351960-18-00		
CHECKED : TS. FUKUSHIMA			16.07.05			PART NO. DF62B-6S-2.2C(18)		
DESIGNED : YK. YAMAGUCHI			16.07.05			CODE NO. CL544-0555-0-18		
DRAWN : YK. YAMAGUCHI			16.07.05			△ 1/1		