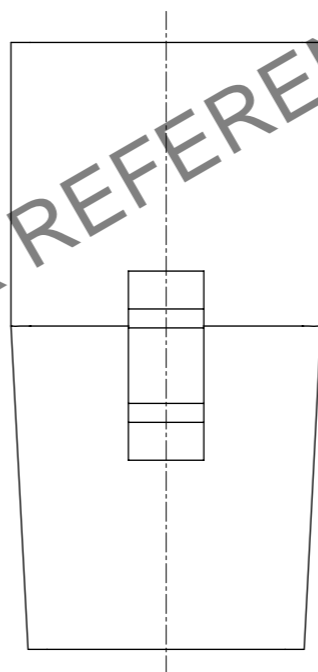
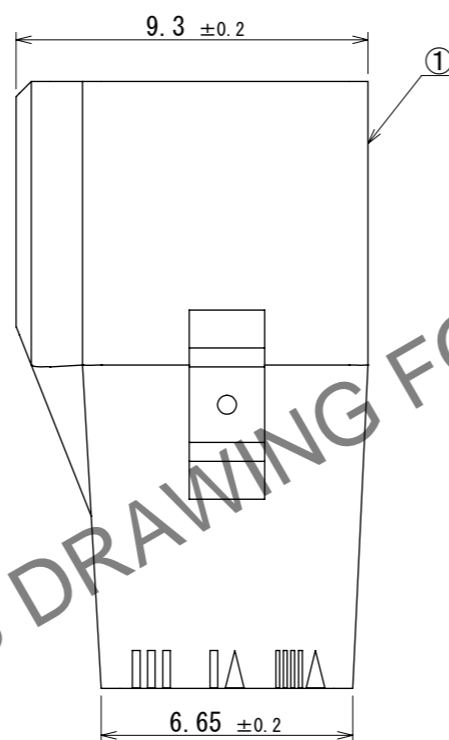
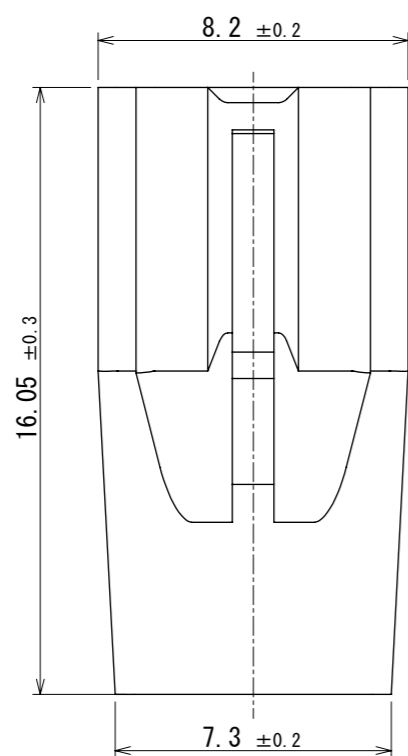
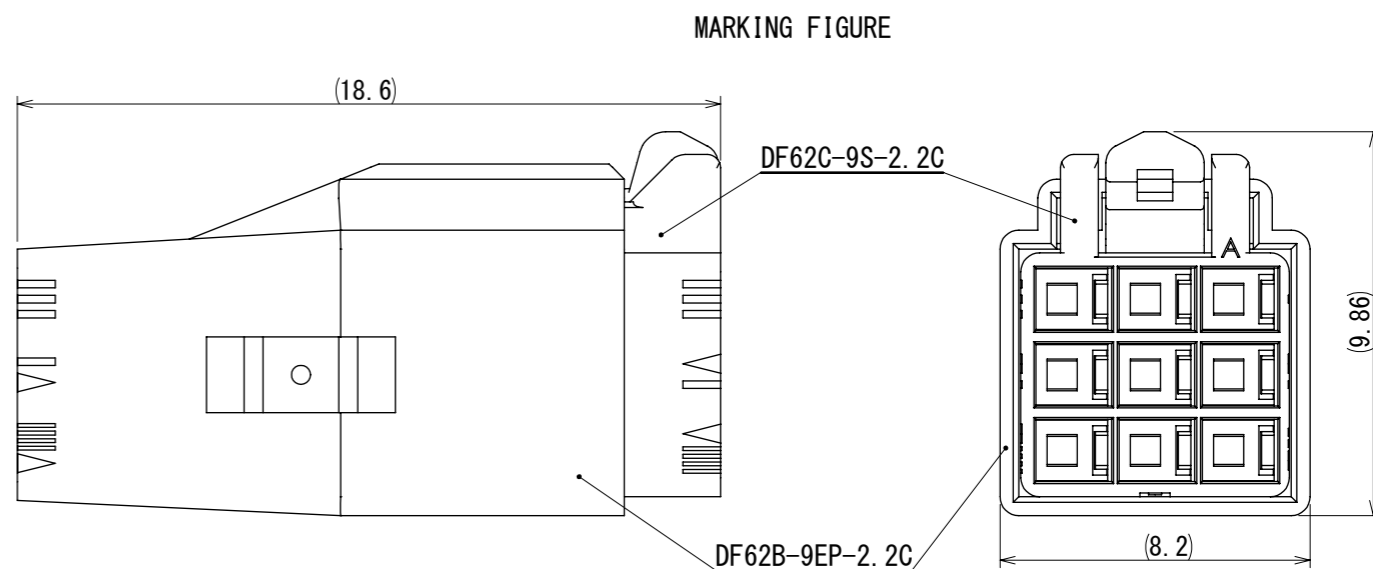
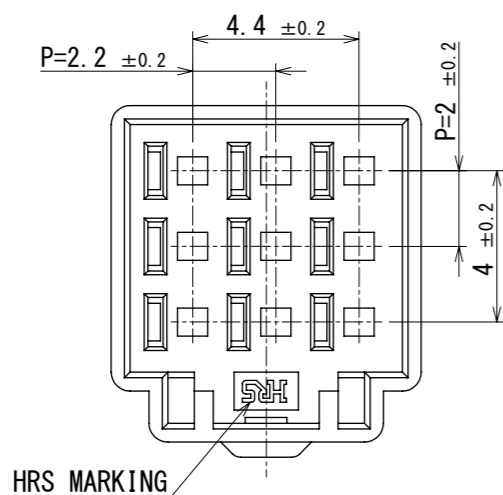
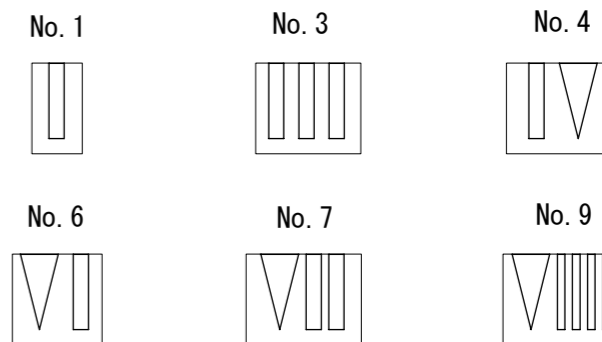


Nov.1.2024 Copyright 2024 HIROSE ELECTRIC CO., LTD. All Rights Reserved.
 In case of consideration for using Automotive equipment / device which demand high reliability, kindly contact our sales window correspondents.

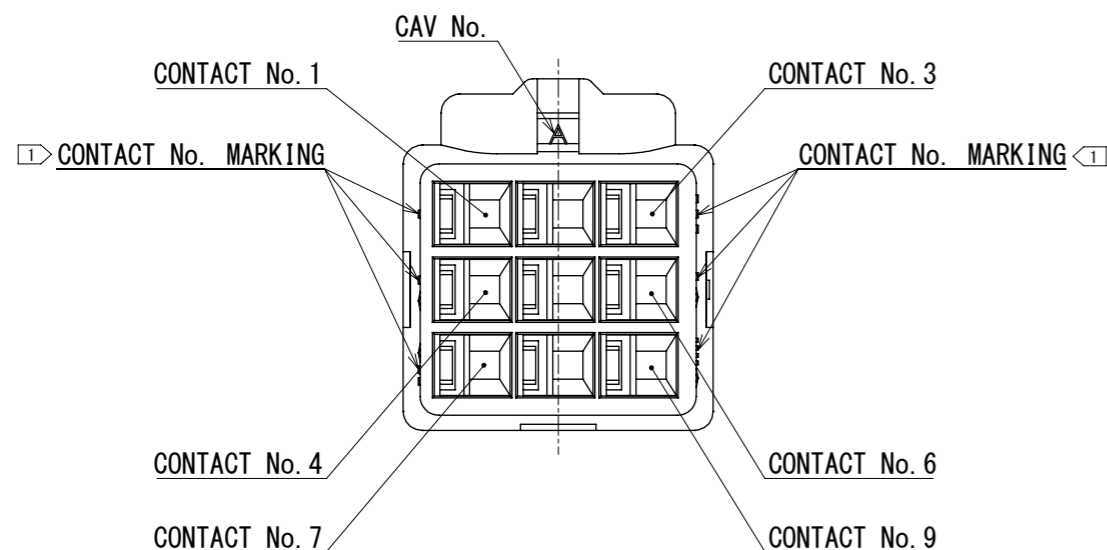


◇ FIGURE-1 CONTACT No. MARKING (10:1)



HRS DRAWING FOR REFERENCE

- 注 ① MARKING AT THE INDICATED POSITIONS ARE CONTACT No. MARKING. AND SHAPES ARE SHOWN IN FIGURE-1.
2. PER PACK : 100 PIECES.
 3. THE DIMENSIONS IN PARENTHESIS ARE FOR REFERENCE.
 4. PLEASE REFER TO THE TECHNICAL SPECIFICATION (ATAP-H0849-00) FOR THE PACKING TYPE.
 5. PLEASE REFER TO THE TECHNICAL SPECIFICATION (ETAD-H0599-00, ETAD-H0593-00) FOR HANDLING.
 6. UL (FILE No. E52653)、C-UL (FILE No. E52653) AUTHORIZATION ARTICLE.



NO.		MATERIAL		FINISH		REMARKS	
		1		PBT		UL94V-0 (BLACK)	
UNITS		SCALE		COUNT		DESCRIPTION OF REVISIONS	
mm		5:1		△		DESIGNED	
HRS		HIROSE ELECTRIC CO., LTD.		APPROVED : SJ. OKAMURA		2024. 08. 14	
				CHECKED : SZ. ONO		2024. 08. 14	
				DESIGNED : RI. GENDA		2024. 08. 14	
				DRAWN : RI. GENDA		2024. 08. 14	
				DRAWING NO.		EDC-406409-00-00	
				PART NO.		DF62B-9EP-2.2C	
				CODE NO.		CL0544-0623-0-00	
				△		1/1	