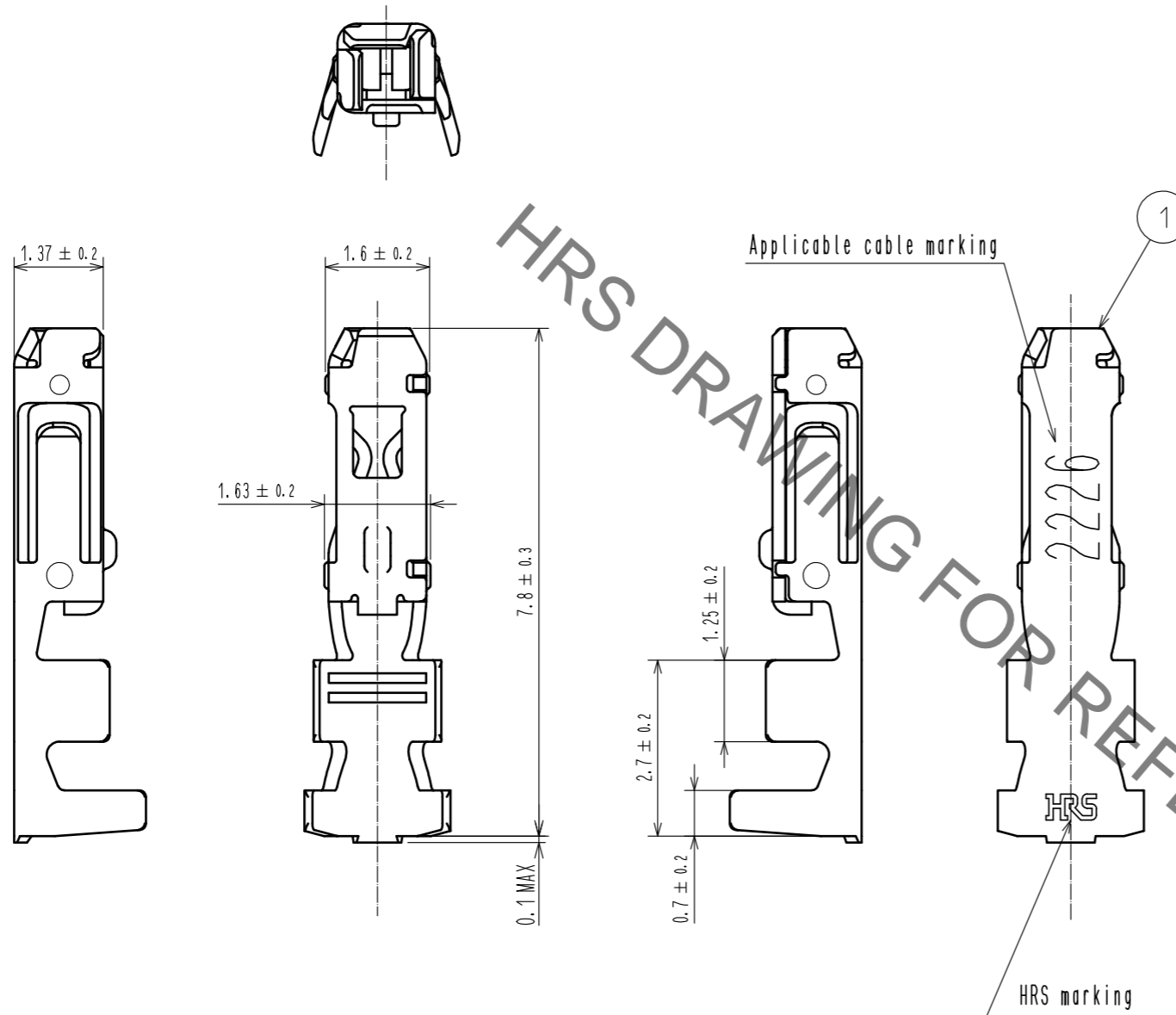


May.1.2021 Copyright 2021 HIROSE ELECTRIC CO., LTD. All Rights Reserved.  
 In case of consideration for using Automotive equipment / device which demand high reliability, kindly contact our sales window correspondents.



HRS DRAWING FOR REFERENCE

Note 1. Per pack : 100 pieces.

	NO.	MATERIAL	FINISH . REMARKS	NO.	MATERIAL	FINISH . REMARKS
				1	Phosphor bronze	Tin plating 1 μm MIN
UNITS mm	SCALE 10 : 1	COUNT 1	DESCRIPTION OF REVISIONS DIS-H-00002947	DESIGNED HT. SATO	CHECKED TS. FUKUSHIMA	DATE 17. 06. 22
<b>HRS</b> HIROSE ELECTRIC CO., LTD.	APPROVED : KI. AKIYAMA		15. 08. 24	DRAWING NO. EDC-353732-00-00		
	CHECKED : TS. FUKUSHIMA		15. 08. 24	PART NO. DF62W-2226SC		
	DESIGNED : YK. YAMAGUCHI		15. 08. 24	CODE NO. CL544-1012-0-00		
	DRAWN : MI. SAKIMURA		15. 08. 24	1/1		