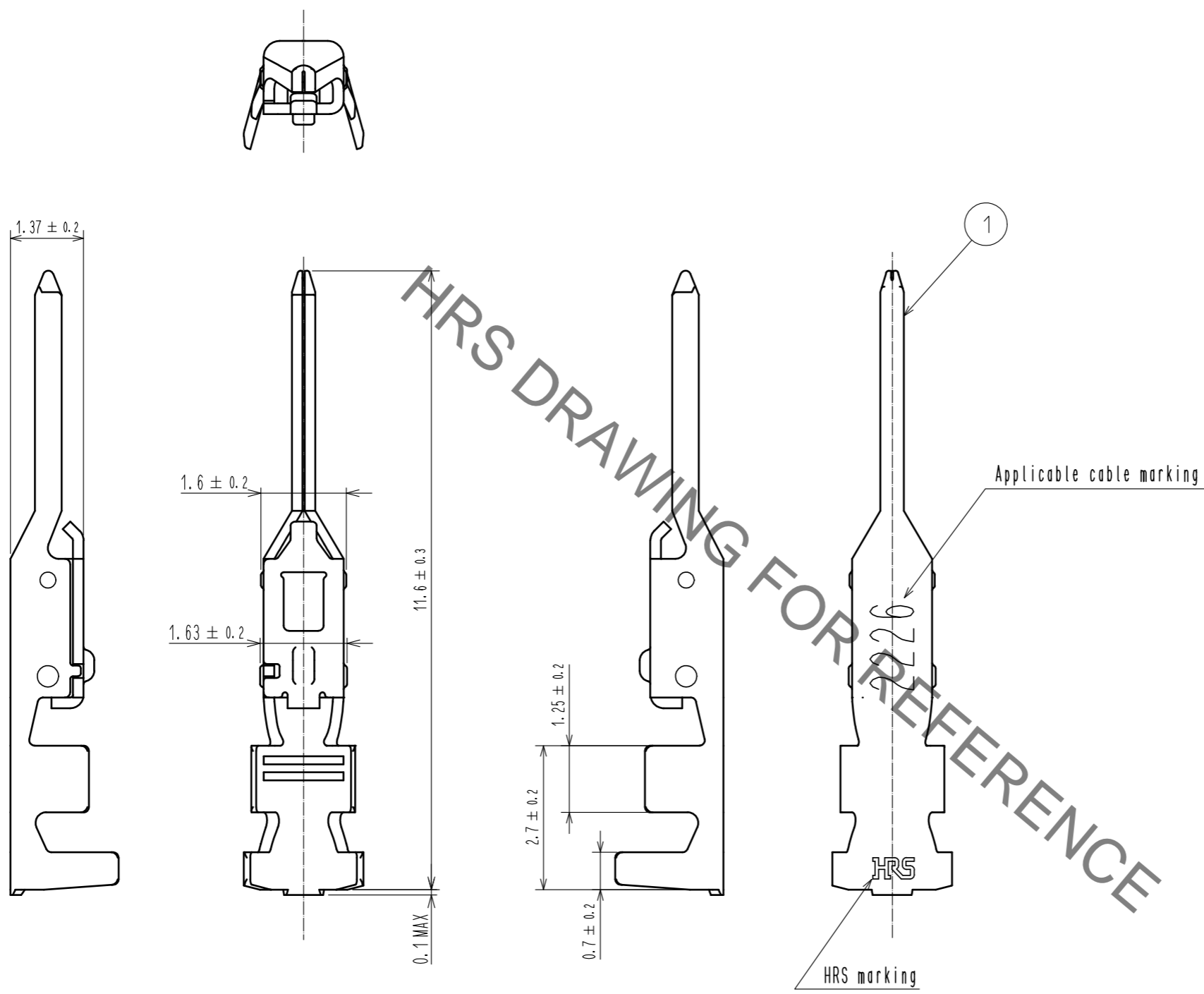


Aug.1.2021 Copyright 2021 HIROSE ELECTRIC CO., LTD. All Rights Reserved.
In case of consideration for using Automotive equipment / device which demand high reliability, kindly contact our sales window correspondents.



HRS DRAWING FOR REFERENCE

Note 1. Per pack : 100 pieces.

NO.	MATERIAL	FINISH . REMARKS	NO.	MATERIAL	FINISH . REMARKS
			1	Phosphor bronze Δ	Tin plating 1 μ m min
UNITS mm		SCALE 10: 1	COUNT Δ 1	DESCRIPTION OF REVISIONS DIS-H-00002947	DESIGNED HT. SATO
HIROSE ELECTRIC CO., LTD.			APPROVED : KI. AKIYAMA	15. 08. 24	DRAWING NO. EDC-353733-00-00
			CHECED : TS. FUKUSHIMA	15. 08. 24	PART NO. DF62W-EP2226PC
			DESIGNED : YK. YAMAGUCHI	15. 08. 24	CODE NO. CL544-1013-3-00
			DRAWN : MI. SAKIMURA	15. 08. 24	Δ 1/1
		DATE 17. 06. 22	CHECKED TS. FUKUSHIMA		