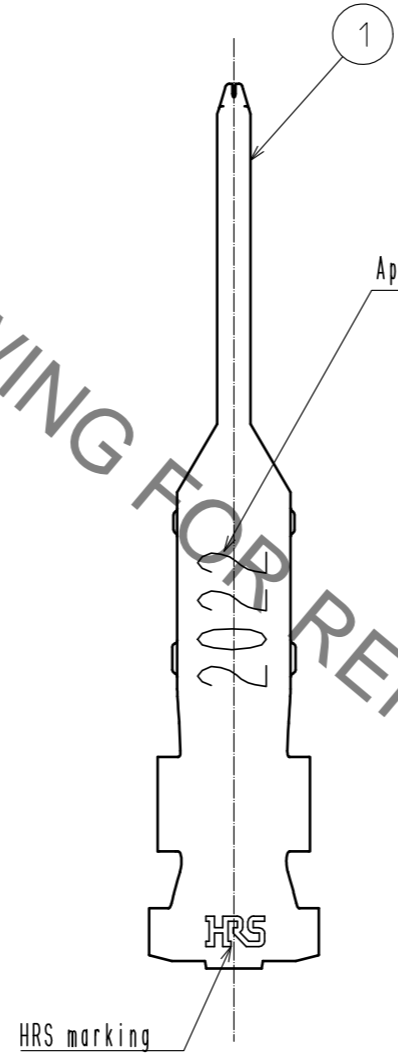
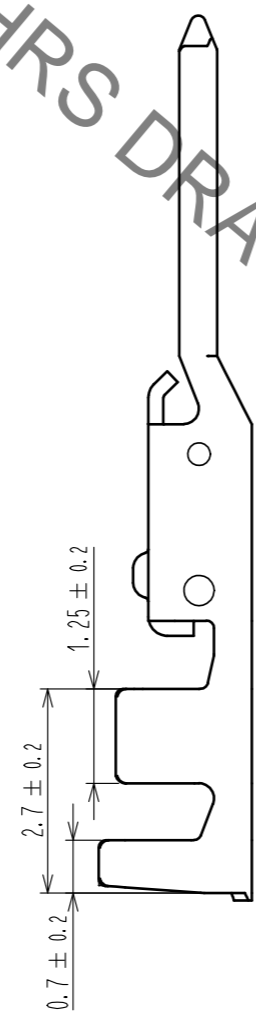
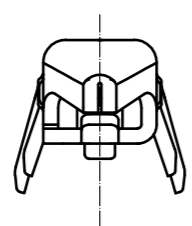
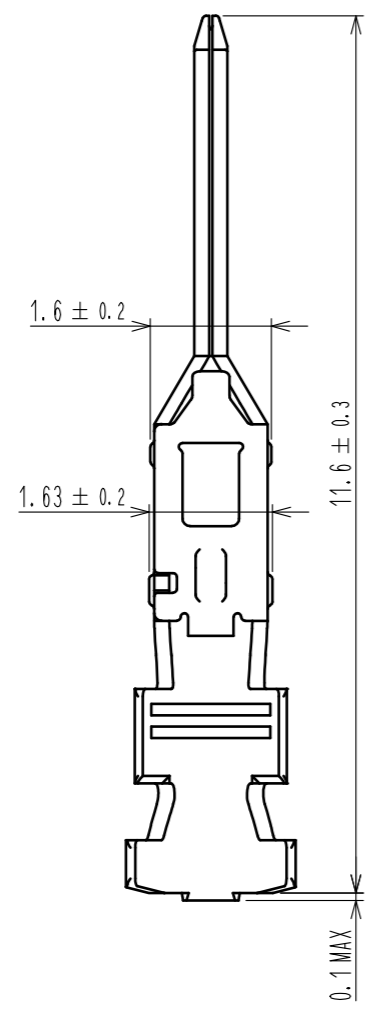
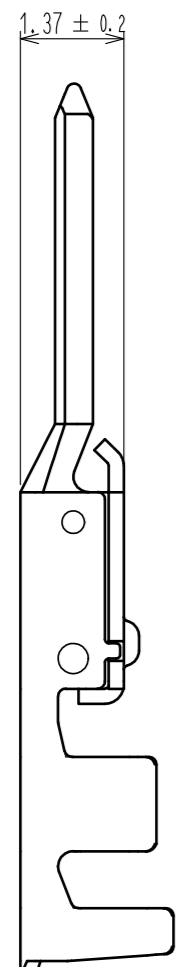


Aug.1.2021 Copyright 2021 HIROSE ELECTRIC CO., LTD. All Rights Reserved.
 In case of consideration for using Automotive equipment / device which demand high reliability, kindly contact our sales window correspondents.



HRS DRAWING FOR REFERENCE

Note 1. Per pack : 100 pieces.

NO.		MATERIAL		FINISH . REMARKS		NO.		MATERIAL		FINISH . REMARKS					
UNITS mm				SCALE 10 : 1		COUNT 		DESCRIPTION OF REVISIONS		DESIGNED		CHECKED		DATE	
HIROSE ELECTRIC CO., LTD.		APPROVED : HS. OKAWA		17.06.07		DRAWING NO.		EDC-360862-00-00							
		CHECKED : TS. FUKUSHIMA		17.06.07		PART NO.		DF62W-EP2022PC							
		DESIGNED : HT. SATO		17.06.06		CODE NO.		CL544-1018-7-00							
		DRAWN : MI. SAKIMURA		17.06.06				1/1							