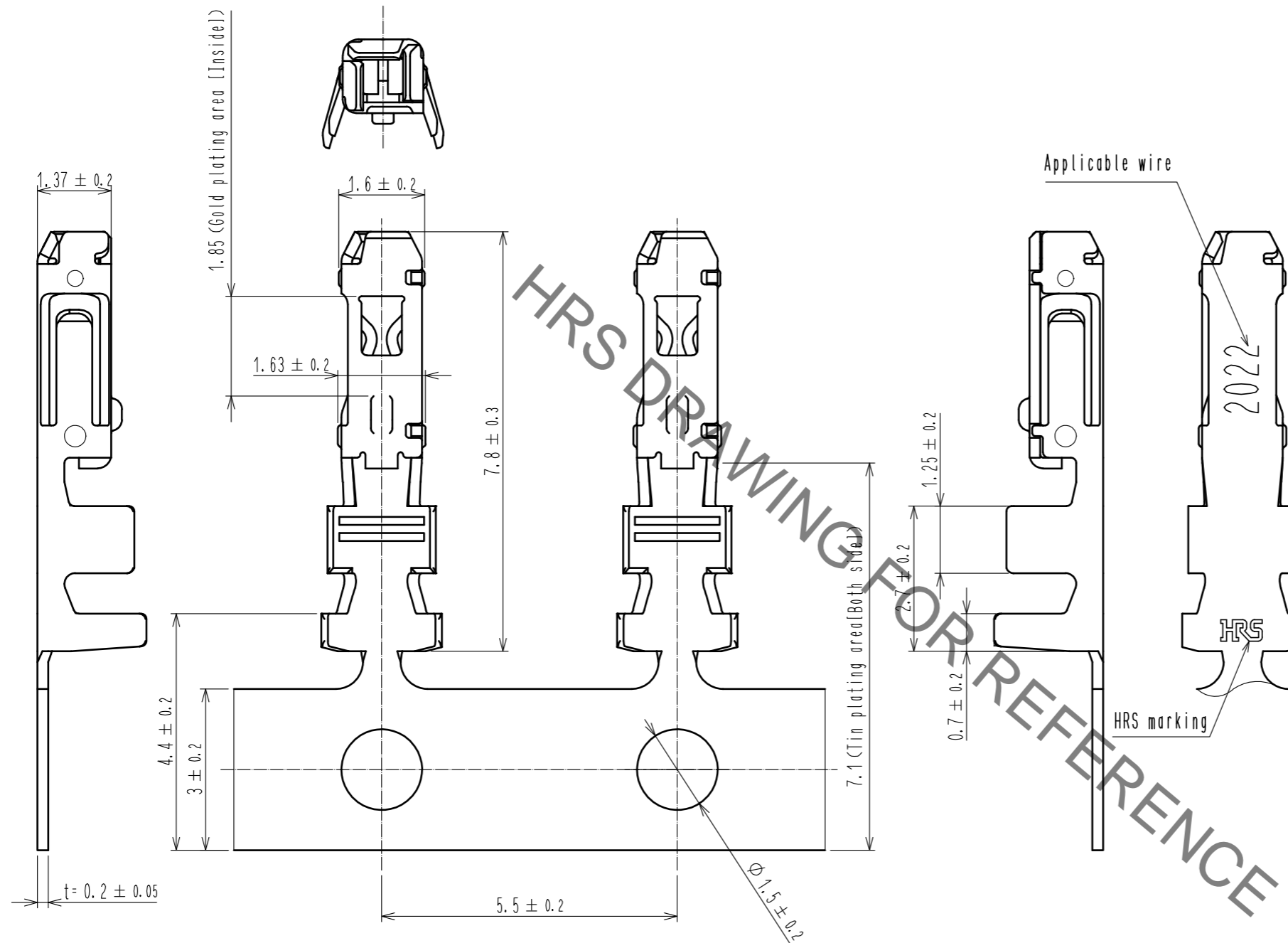
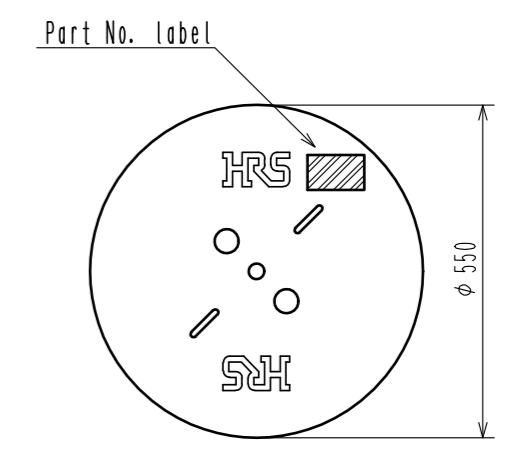


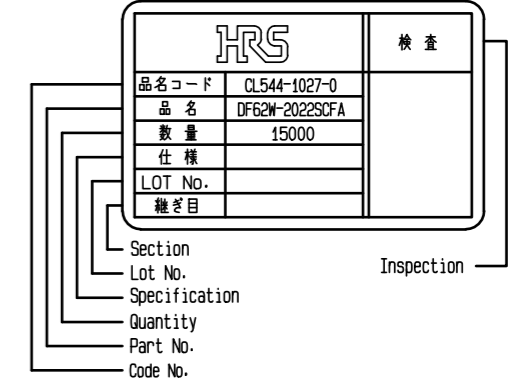
May.1.2021 Copyright 2021 HIROSE ELECTRIC CO., LTD. All Rights Reserved.
 In case of consideration for using Automotive equipment / device which demand high reliability, kindly contact our sales window correspondents.



2 Reel style and dimensions



Detail of part No. Label



Notes

1. 1RL : 15000 contacts.
2. Style of reel and box are shown in figure.
3. Up to 5 reels are packed up in one box.
4. Please be sure to check the form of crimping using a cable when you adjust applicator.
5. Always refer to the manuals below for operation of this product.
 For Cable assembly / Cable assembly procedure ETAD-H0760
 For Mating/Unmating / Operation manual ETAD-H0761

NO.	MATERIAL	FINISH . REMARKS	NO.	MATERIAL	FINISH . REMARKS
1	Phosphor bronze	Contact area : Gold plating 0.2µm min Carrier/Barrel area : Tin plating 1µm min Others : Nichel plating 0.5 µm min			

UNITS mm		SCALE 10:1	COUNT	DESCRIPTION OF REVISIONS	DESIGNED	CHECKED	DATE
HRS	HIROSE ELECTRIC CO., LTD.	APPROVED : KI. AKIYAMA	16.02.17	DRAWING NO.	EDC-364717-00-00		
		CHECED : TS. FUKUSHIMA	16.02.16	PART NO.	DF62W-2022SCFA		
		DESIGNED : YK. YAMAGUCHI	16.02.16	CODE NO.	CL544-1027-0-00		
		DRAWN : YK. YAMAGUCHI	16.02.16		1/1		