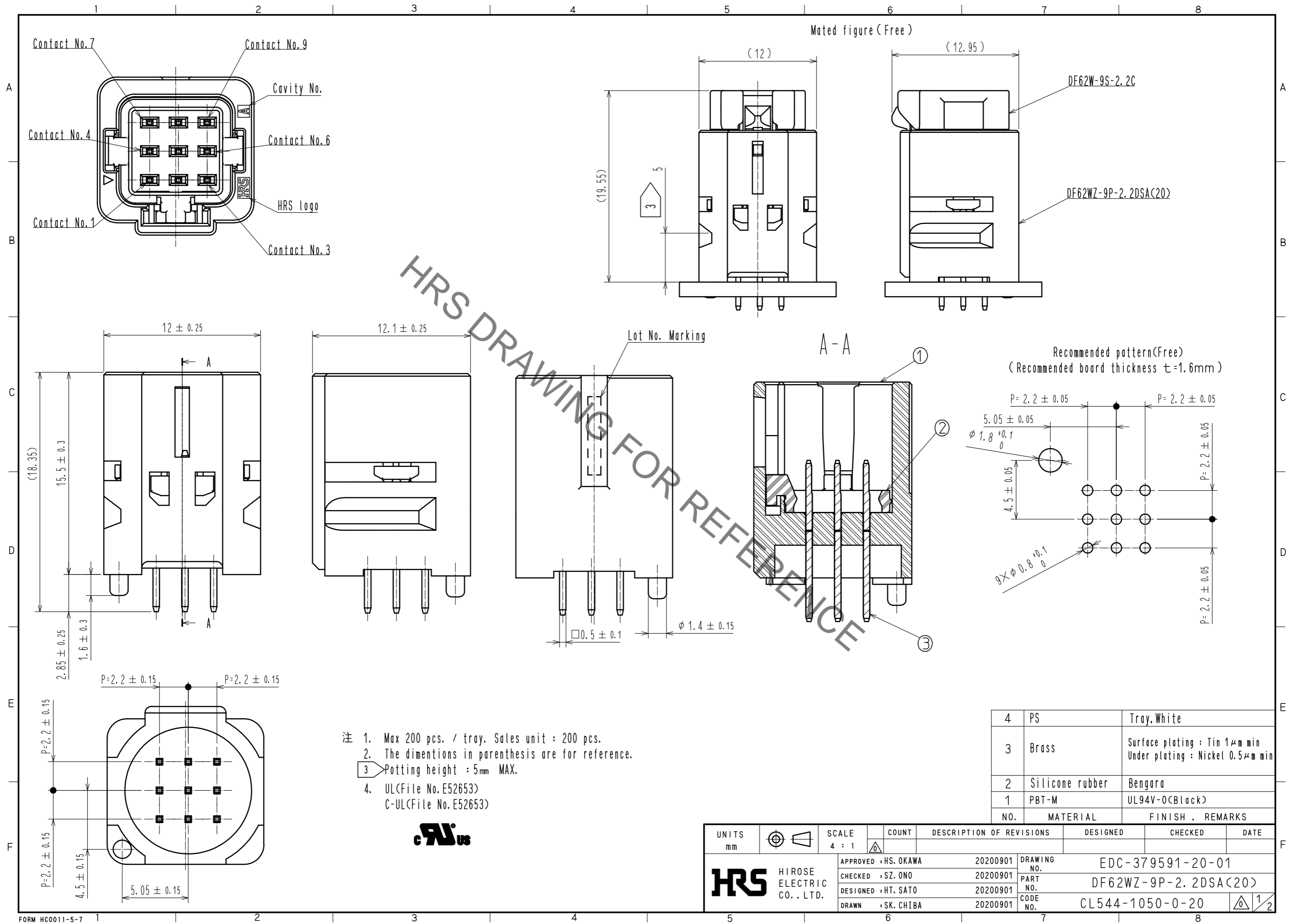


Aug.1.2021 Copyright 2021 HIROSE ELECTRIC CO., LTD. All Rights Reserved.  
 In case of consideration for using Automotive equipment / device which demand high reliability, kindly contact our sales window correspondents.

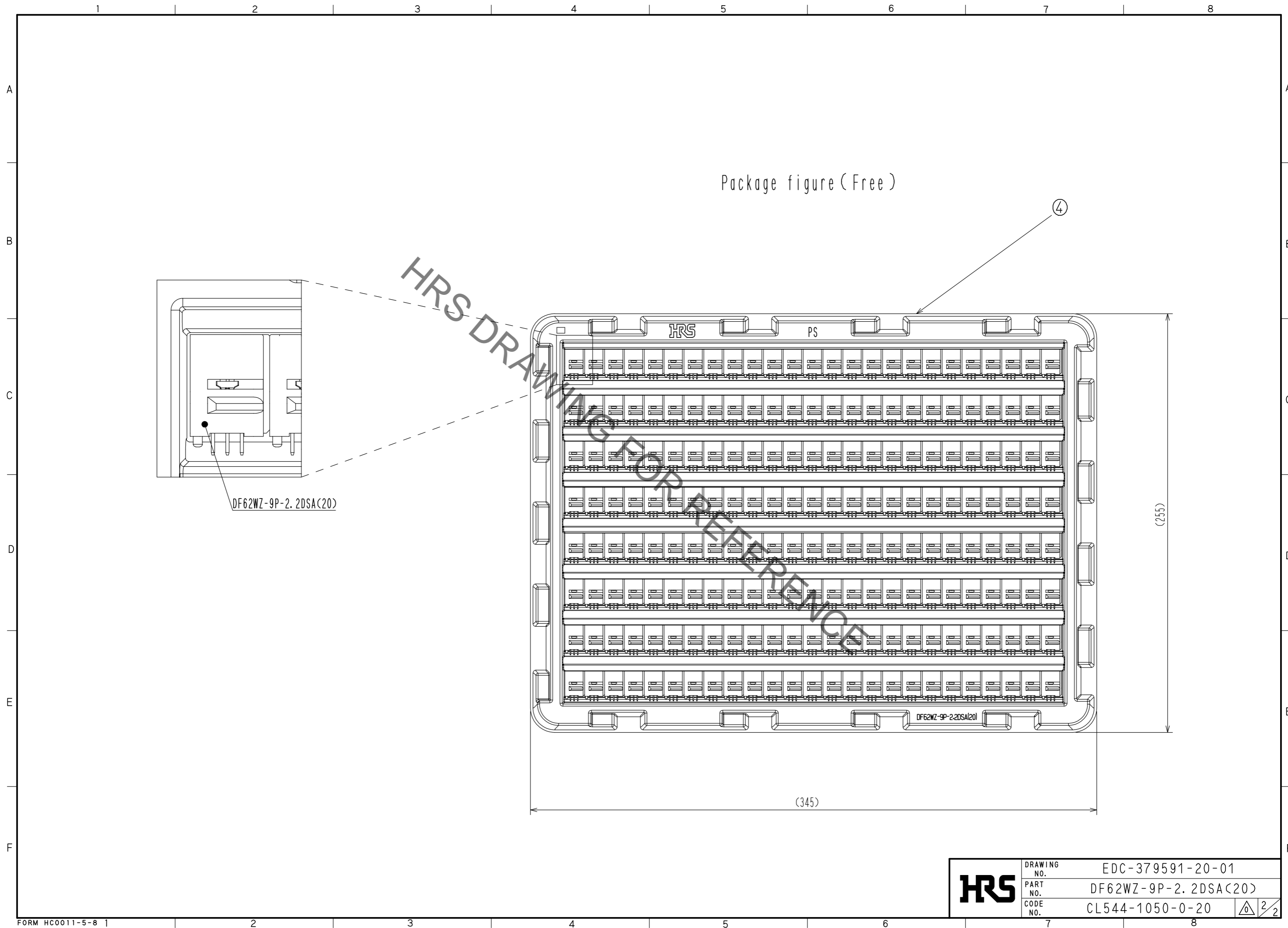


HRS DRAWING FOR REFERENCE

NO.	MATERIAL	FINISH . REMARKS
4	PS	Tray, White
3	Brass	Surface plating : Tin 1μm min Under plating : Nickel 0.5μm min
2	Silicone rubber	Bengara
1	PBT-M	UL94V-0(Black)

UNITS	SCALE	COUNT	DESCRIPTION OF REVISIONS	DESIGNED	CHECKED	DATE
mm	4 : 1	△	APPROVED : HS. OKAWA 20200901			
HIROSE ELECTRIC CO., LTD.			CHECKED : SZ. ONO 20200901	DRAWING NO. EDC-379591-20-01		
			DESIGNED : HT. SATO 20200901	PART NO. DF62WZ-9P-2.2DSA(20)		
			DRAWN : SK. CHIBA 20200901	CODE NO. CL544-1050-0-20		
				1/2		

Aug.1.2021 Copyright 2021 HIROSE ELECTRIC CO., LTD. All Rights Reserved.  
In case of consideration for using Automotive equipment / device which demand high reliability, kindly contact our sales window correspondents.



<b>HRS</b>	DRAWING NO.	EDC-379591-20-01
	PART NO.	DF62WZ-9P-2.2DSA(20)
	CODE NO.	CL544-1050-0-20
		2/2