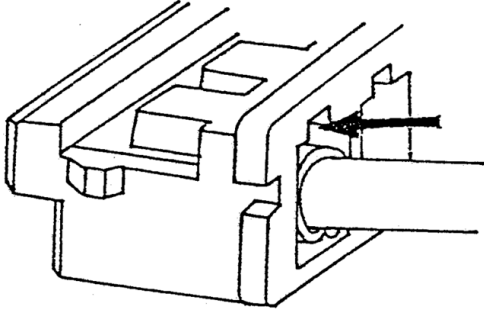
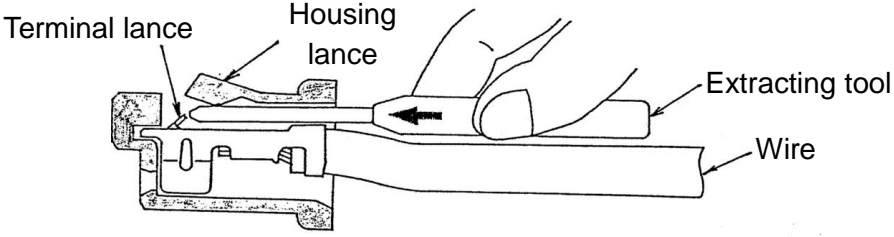
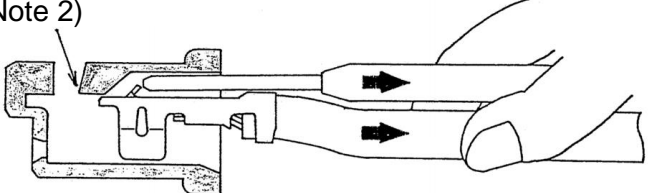


Procedures for using the Crimp Terminal Extracting Tool	
Extracting Tool Name	DF-C-PO(A)
Applicable Crimp Terminals	<div style="display: flex; justify-content: space-between;"> <div style="width: 45%;"> <p>■ DF1B-****SCF(A)</p> <p>■ DF1B-R**PR(F)</p> </div> <div style="width: 45%;"> <p>■ DF3-****SC(F)(C)</p> <p>■ DF3-EP2428PC(F)(A)</p> </div> </div>
<p>■ Procedures (e. g.) DF3-*S-2C, DF3-2428SCF</p> <p>Insert the tip of the extraction tool along the lance groove of the housing until it hits the terminal lance. Hold both the tool and wire and pull them out together.</p> <p>(Note 1) Please note that forcibly inserting or prying the tool may damage the housing lance or deform the terminals.</p> <div style="text-align: center;">  </div> <div style="text-align: center;">  </div> <div style="text-align: center;"> <p>(Note 2)</p>  </div> <p>(Note 2) If you notice that the tip of the housing lance has scraped away when you pulled the terminal out, do not reuse the connector.</p> <p>(Note 3) After you remove the terminal, the housing lance remains lifted and does not go back then, do not reuse the connector.</p>	

	COUNT	DESCRIPTION OF REVISIONS	DESIGNED	CHECKED	DATE
△	0				
TITLE			HRS HIROSE ELECTRIC CO., LTD.		
DF-C-PO(A) Procedures for Using the Crimp Terminal Extracting Tool			APPROVED	SJ. OKAMURA	20210413
			CHECKED	SZ. ONO	20210413
			DESIGNED	SN. MIWA	20210413
			WRITTEN	KT. NUMATA	20210413
TECHICAL SPECIFICATION			ETAD-H1019-00		△ 1 / 1