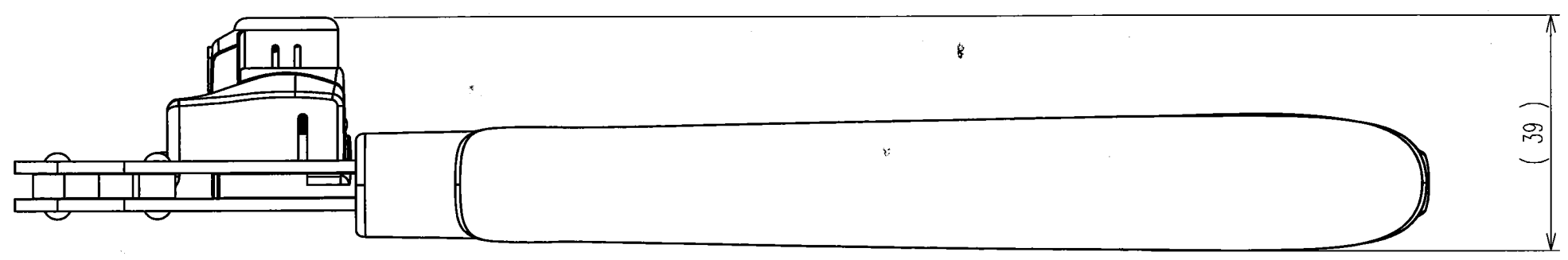


May.1.2024 Copyright 2024 HIROSE ELECTRIC CO., LTD. All Rights Reserved.
 In case of consideration for using Automotive equipment / device which demand high reliability, kindly contact our sales window correspondents.

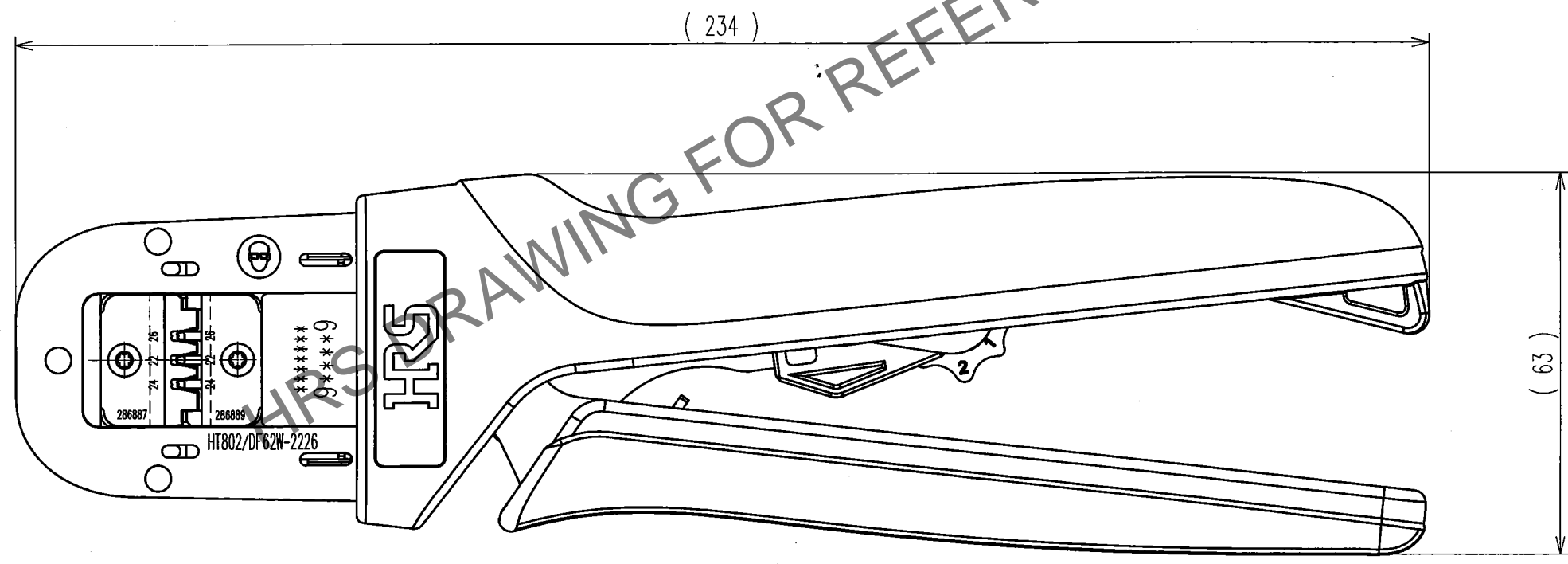
1 2 3 4 5 6 7 8

COUNT	DESCRIPTION OF REVISIONS	BY	CHKD	DATE	COUNT	DESCRIPTION OF REVISIONS	BY	CHKD	DATE
△				..	△				..
△				..	△				..
△				..	△				..

A



B



C

D

E

Notes : Contact of DF62W-EP2226PC(CL544-1001-4) and DF62W-2226SC(CL544-1000-1) is assembled for this tool.

TO
PE

F

2			4		
1			3		
NO.	MATERIAL	FINISH, REMARKS	NO.	MATERIAL	FINISH, REMARKS
CODE NO. (OLD) CL			DRAWN M.SATO 15.3.16	DESIGNED M.SATO 15.3.16	CHECKED S. Uzumi 15.3.16
			APPROVED T. Ito 15.3.16	RELEASED ..	
DRAWING NO. EDC-276443-00-00			PART NO. HT802/DF62W-2226		
SCALE 1 : 1			CODE NO. CL550-0416-6		
UNITS mm			HRS HIROSE ELECTRIC CO., LTD		
					1/1

1 2 3 4 5 6 7 8

