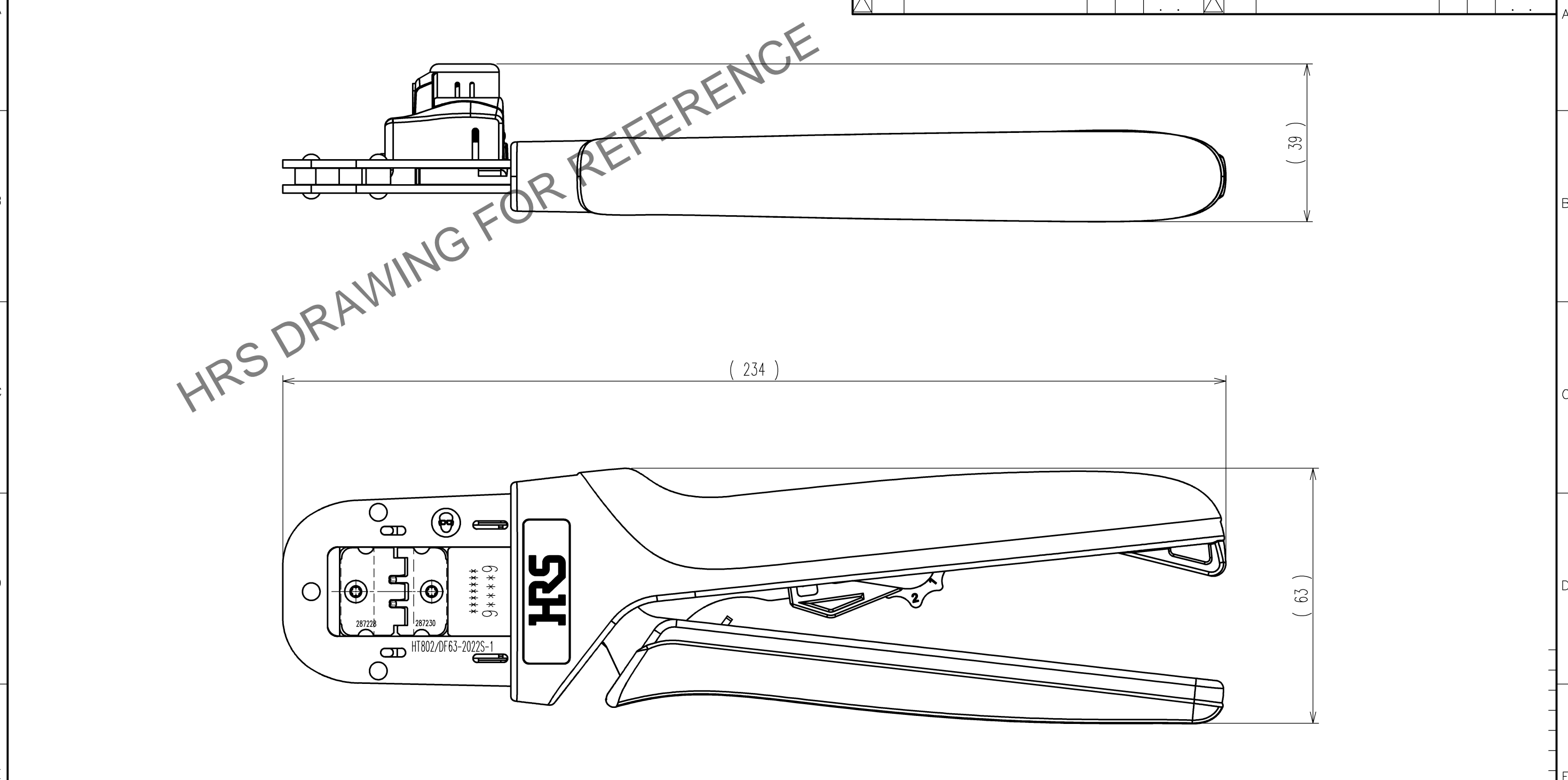


Apr.1.2024 Copyright 2024 HIROSE ELECTRIC CO., LTD. All Rights Reserved.
In case of consideration for using Automotive equipment / device which demand high reliability, kindly contact our sales window



HRS DRAWING FOR REFERENCE

COUNT	DESCRIPTION OF REVISIONS	BY	CHKD	DATE	COUNT	DESCRIPTION OF REVISIONS	BY	CHKD	DATE
△				..	△				..
△				..	△				..
△				..	△				..

Notes : Contact of DF63-2022SC(CL680-0549-0) is assembled for this tool.

2			4		
1			3		
NO.	MATERIAL	FINISH, REMARKS	NO.	MATERIAL	FINISH, REMARKS
CODE NO.(OLD) CL			DRAWN	DESIGNED	CHECKED
			K.SUGIBUCHI	K.SUGIBUCHI	S.OIZUMI
			16.4.1	16.4.1	16.4.4
			APPROVED	RELEASED	
			T.IITO		
			16.4.4	16.4.4	
DRAWING NO.			PART NO.		
EDC-285219-00			HT802/DF63-2022S-1		
SCALE			CODE NO.		
1 : 1			CL550-0432-0		
UNITS			1/1		
mm			HRS HIROSE ELECTRIC CO., LTD		

TO
PE