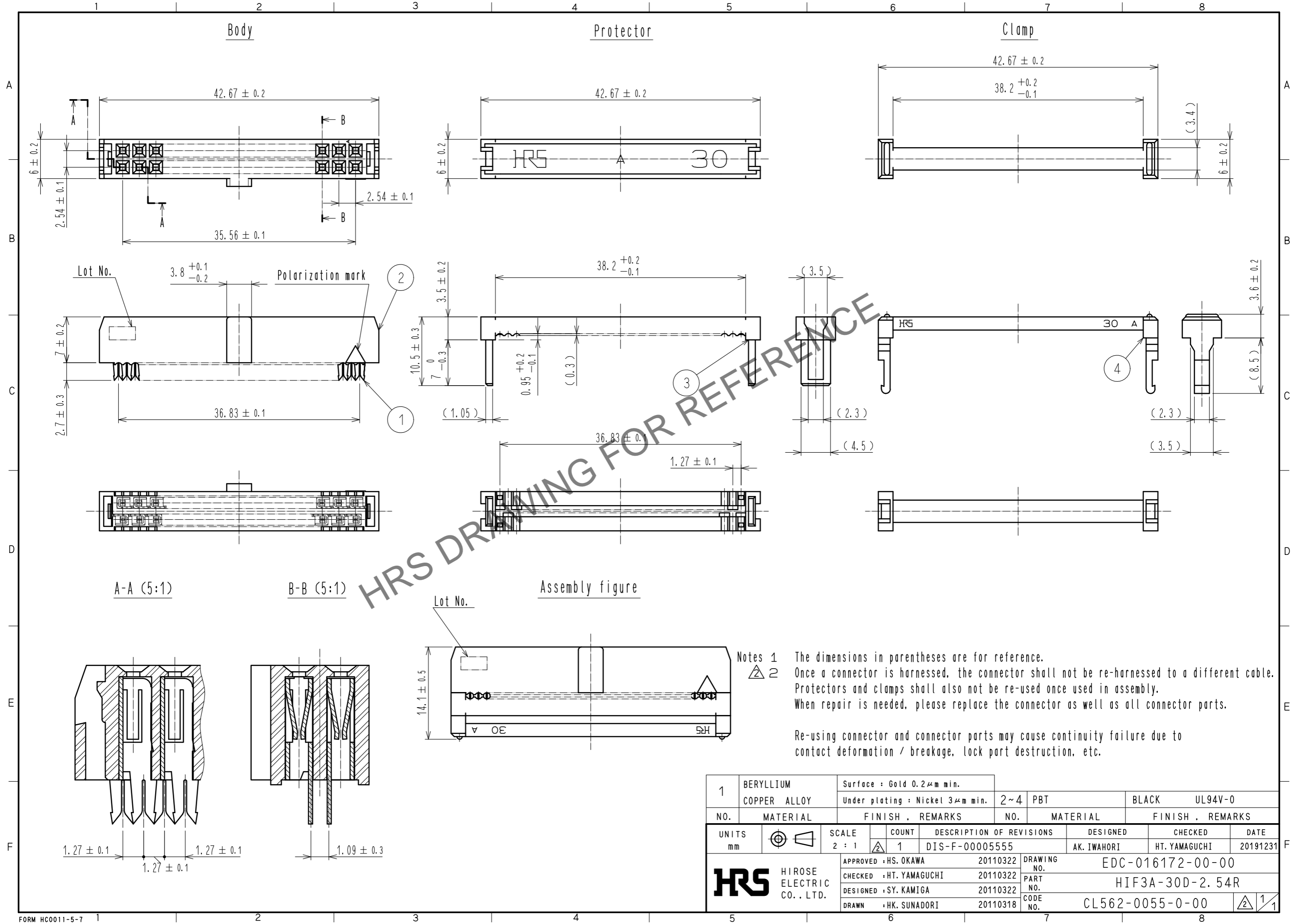


Aug.1.2024 Copyright 2024 HIROSE ELECTRIC CO., LTD. All Rights Reserved.
 In case of consideration for using Automotive equipment / device which demand high reliability, kindly contact our sales window correspondents.



HRS DRAWING FOR REFERENCE

Notes

1 The dimensions in parentheses are for reference.

2 Once a connector is harnessed, the connector shall not be re-harnessed to a different cable. Protectors and clamps shall also not be re-used once used in assembly. When repair is needed, please replace the connector as well as all connector parts.

Re-using connector and connector parts may cause continuity failure due to contact deformation / breakage, lock part destruction, etc.

1	BERYLLIUM COPPER ALLOY	Surface : Gold 0.2μm min. Under plating : Nickel 3μm min.	2~4	PBT	BLACK	UL94V-0
NO.	MATERIAL	FINISH . REMARKS	NO.	MATERIAL	FINISH . REMARKS	
UNITS mm		SCALE 2 : 1	COUNT 1	DESCRIPTION OF REVISIONS DIS-F-00005555		DATE 20191231
HRS HIROSE ELECTRIC CO., LTD.		APPROVED : HS. OKAWA	20110322	DRAWING NO. EDC-016172-00-00		
		CHECKED : HT. YAMAGUCHI	20110322	PART NO. HIF3A-30D-2.54R		
		DESIGNED : SY. KAMIGA	20110322	CODE NO. CL562-0055-0-00		
		DRAWN : HK. SUNADORI	20110318	1/1		