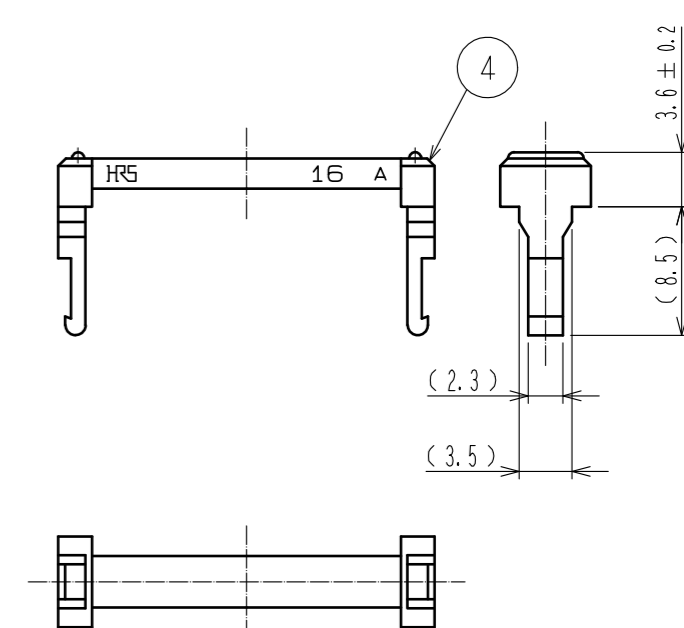
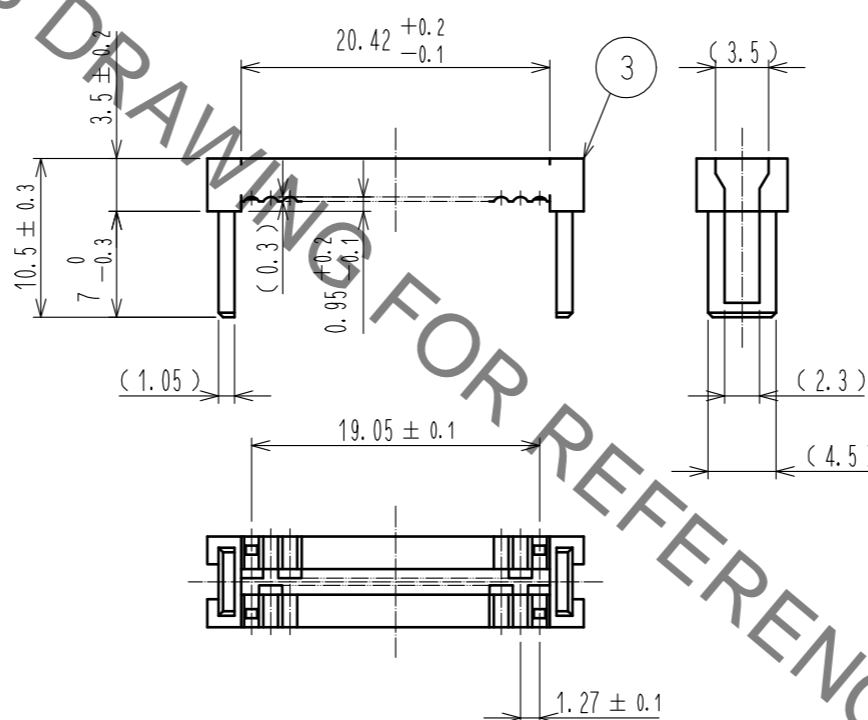
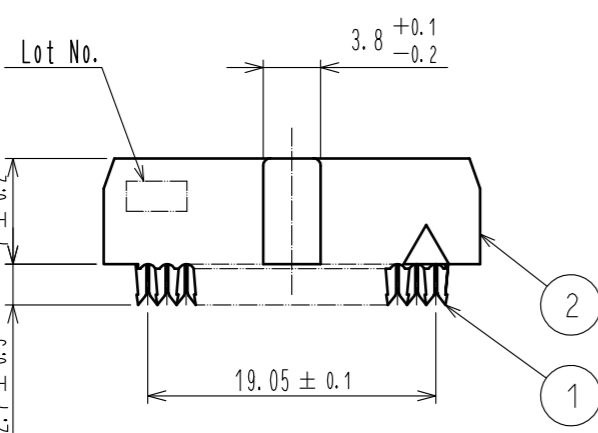
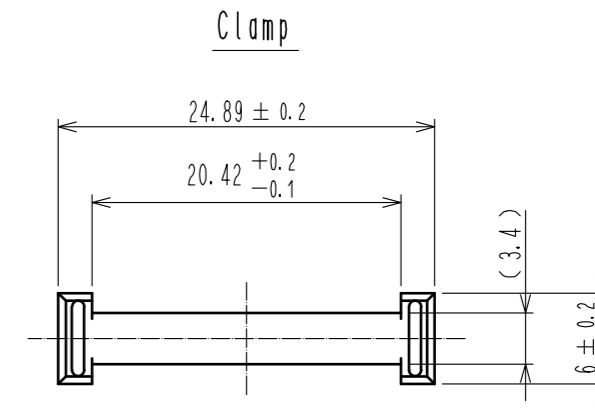
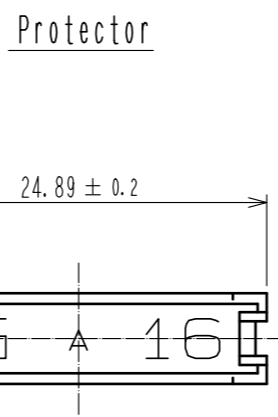
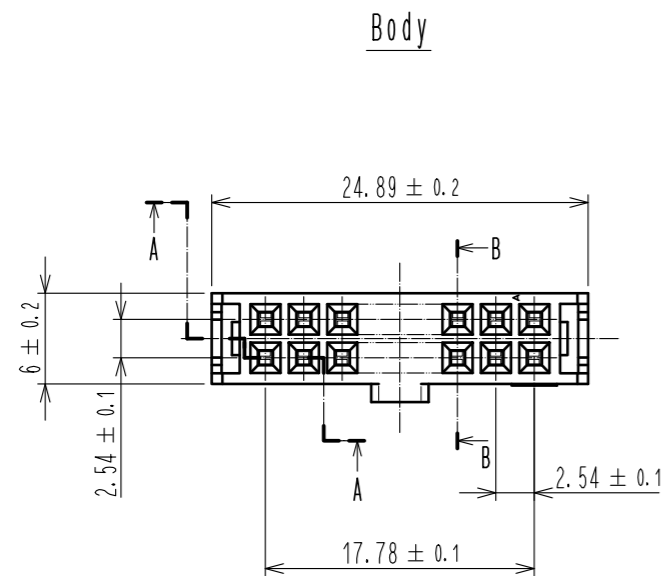


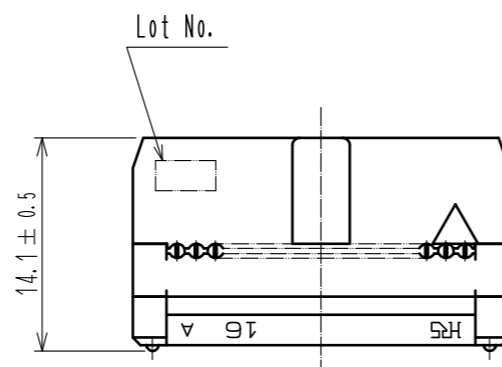
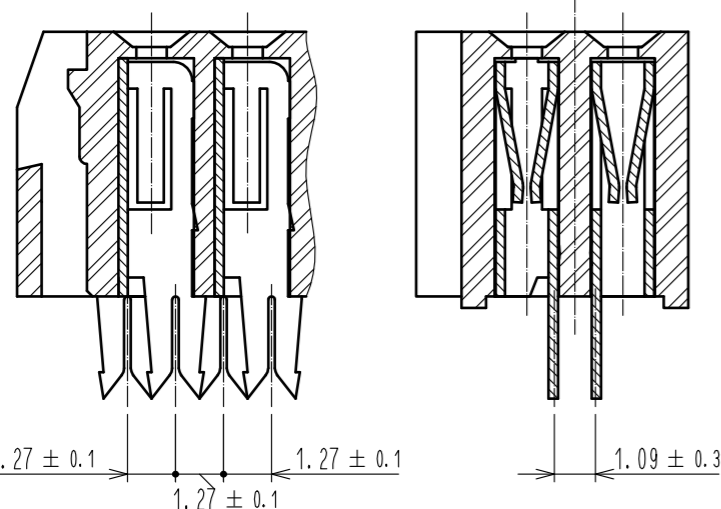
Oct.1.2022 Copyright 2022 HIROSE ELECTRIC CO., LTD. All Rights Reserved.  
In case of consideration for using Automotive equipment / device which demand high reliability, kindly contact our sales window correspondents.



A-A (5:1)

B-B (5:1)

Assembly figure



Notes 1 The dimensions in parentheses are for reference.  
 2 Once a connector is harnessed, the connector shall not be re-harnessed to a different cable. Protectors and clamps shall also not be re-used once used in assembly. When repair is needed, please replace the connector as well as all connector parts.

Re-using connector and connector parts may cause continuity failure due to contact deformation / breakage, lock part destruction, etc.

2	PBT	BLACK	UL94V-0					
1	BERYLLIUM COPPER ALLOY	Over plating : Gold 0.2μm min.		4	PBT	BLACK	UL94V-0	
		Under plating : Nickel 3μm min.		3	PBT	BLACK	UL94V-0	
NO.	MATERIAL	FINISH	REMARKS	NO.	MATERIAL	FINISH	REMARKS	
UNITS mm		SCALE 2 : 1	COUNT 1	DESCRIPTION OF REVISIONS DIS-F-00005555		DESIGNED AK. IWAHORI	CHECKED HT. YAMAGUCHI	DATE 20191231
<b>HRS</b> HIROSE ELECTRIC CO., LTD.		APPROVED : HS. OKAWA	20110322	DRAWING NO. EDC3-016213-00				
		CHECKED : HT. YAMAGUCHI	20110322	PART NO. HIF3A-16D-2.54R				
		DESIGNED : SY. KAMIGA	20110322	CODE NO. CL562-0058-8-00				
		DRAWN : HK. SUNADORI	20110318					