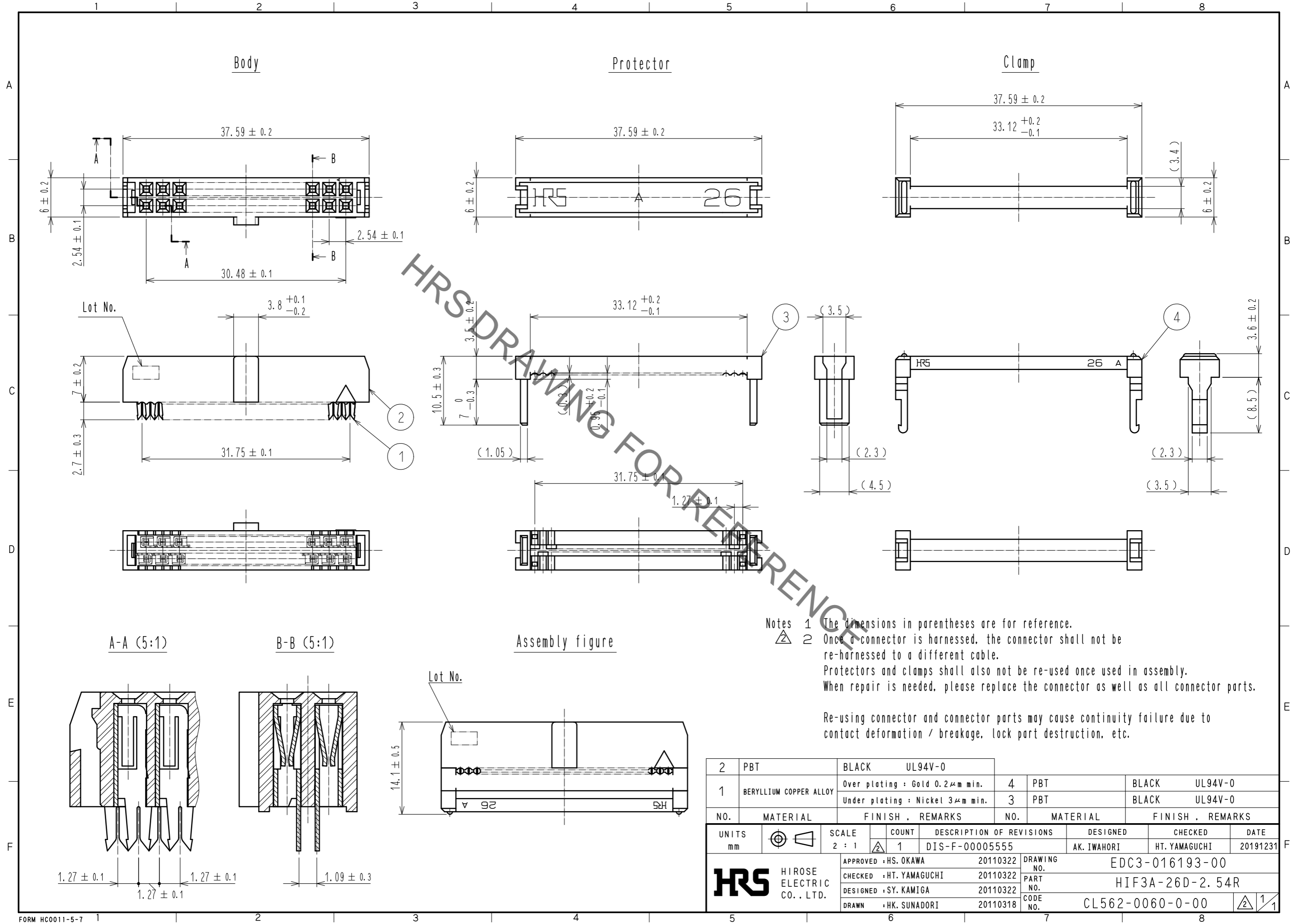


Jan.1.2022 Copyright 2022 HIROSE ELECTRIC CO., LTD. All Rights Reserved.
 In case of consideration for using Automotive equipment / device which demand high reliability, kindly contact our sales window correspondents.



HRS DRAWING FOR REFERENCE

Notes 1 The dimensions in parentheses are for reference.
 2 Once a connector is harnessed, the connector shall not be re-harnessed to a different cable. Protectors and clamps shall also not be re-used once used in assembly. When repair is needed, please replace the connector as well as all connector parts.

Re-using connector and connector parts may cause continuity failure due to contact deformation / breakage, lock part destruction, etc.

2	PBT	BLACK	UL94V-0	4	PBT	BLACK	UL94V-0		
1	BERYLLIUM COPPER ALLOY	Over plating : Gold 0.2μm min.		3	PBT	BLACK	UL94V-0		
		Under plating : Nickel 3μm min.							
NO.	MATERIAL	FINISH	REMARKS	NO.	MATERIAL	FINISH	REMARKS		
UNITS	mm	SCALE	2 : 1	COUNT	1	DESCRIPTION OF REVISIONS	DESIGNED	CHECKED	DATE
						DIS-F-00005555	AK. IWAHORI	HT. YAMAGUCHI	20191231
APPROVED : HS. OKAWA		20110322		DRAWING NO.		EDC3-016193-00			
CHECKED : HT. YAMAGUCHI		20110322		PART NO.		HIF3A-26D-2.54R			
DESIGNED : SY. KAMIGA		20110322		CODE NO.		CL562-0060-0-00			
DRAWN : HK. SUNADORI		20110318							