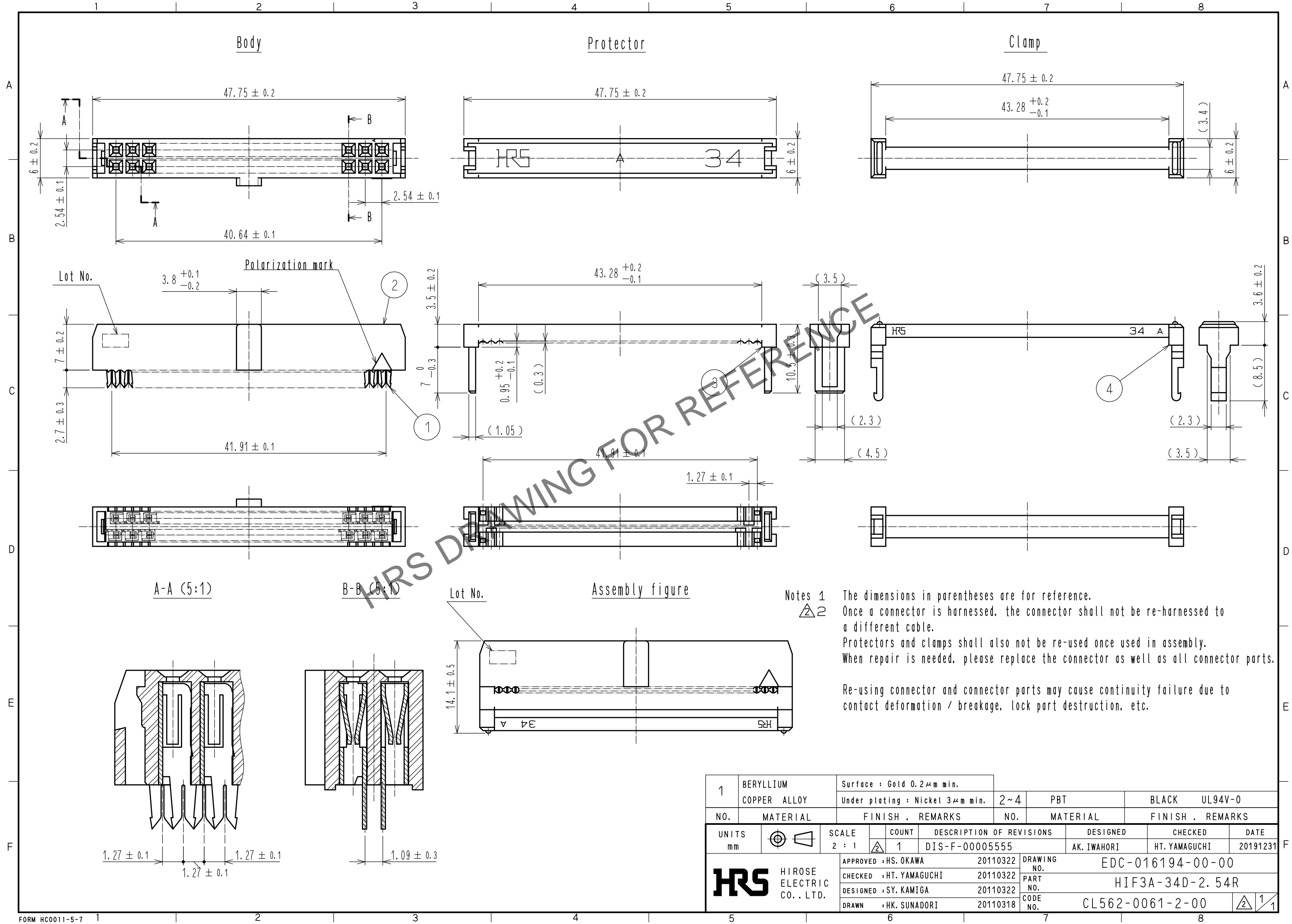


Jul.1.2024 Copyright 2024 HIROSE ELECTRIC CO., LTD. All Rights Reserved.  
 In case of consideration for using Automotive equipment / device which demand high reliability, kindly contact our sales window correspondents.



|                         |                           |  |                                 |  |                  |                  |
|-------------------------|---------------------------|--|---------------------------------|--|------------------|------------------|
| 1                       | BERYLLIUM<br>COPPER ALLOY | Surface : Gold 0.2µm min.<br>Under plating : Nickel 3µm min. | 2~4                             | PBT  | BLACK            | UL94V-0          |
| NO.                     | MATERIAL                  | FINISH . REMARKS   | NO.                             | MATERIAL                                   | FINISH . REMARKS |                  |
| UNITS<br>mm             |                           | SCALE<br>2 : 1   | COUNT<br>1                      | DESCRIPTION OF REVISIONS<br>DIS-F-00005555 |                  | DATE<br>20191231 |
| APPROVED : HS. OKAWA    |                           | 20110322   | DRAWING NO.<br>EDC-016194-00-00 |  |                  |                  |
| CHECKED : HT. YAMAGUCHI |                           | 20110322   | PART NO.<br>HIF3A-34D-2.54R     |  |                  |                  |
| DESIGNED : SY. KAMIGA   |                           | 20110322   | CODE NO.<br>CL562-0061-2-00     |  |                  |                  |
| DRAWN : HK. SUNADORI    |                           | 20110318   | 1/1                             |  |                  |                  |