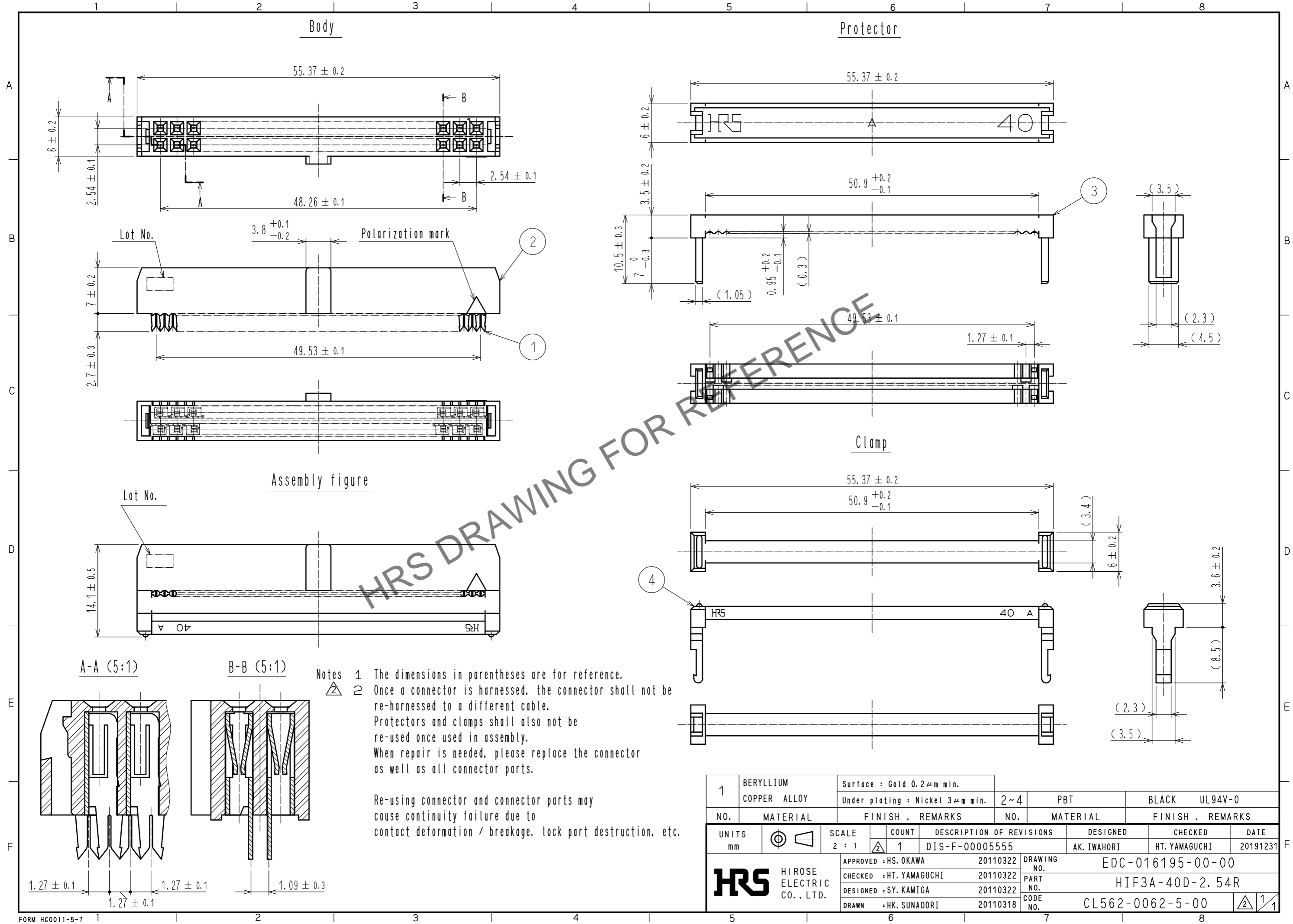


Jul.1.2024 Copyright 2024 HIROSE ELECTRIC CO., LTD. All Rights Reserved.  
 In case of consideration for using Automotive equipment / device which demand high reliability, kindly contact our sales window correspondents.



1	BERYLLIUM COPPER ALLOY	Surface : Gold 0.2µm min. Under plating : Nickel 3µm min.	2~4	PBT	BLACK	UL94V-0
NO.	MATERIAL	FINISH . REMARKS	NO.	MATERIAL	FINISH . REMARKS	
UNITS mm		SCALE 2 : 1	COUNT 1	DESCRIPTION OF REVISIONS DIS-F-00005555	DESIGNED AK. IWAHORI	CHECKED HT. YAMAGUCHI
<b>HRS</b> HIROSE ELECTRIC CO., LTD.		APPROVED : HS. OKAWA	20110322	DRAWING NO.	EDC-016195-00-00	
		CHECKED : HT. YAMAGUCHI	20110322	PART NO.	HIF3A-40D-2.54R	
		DESIGNED : SY. KAMIGA	20110322	CODE NO.	CL562-0062-5-00	
		DRAWN : HK. SUNADORI	20110318		1/1	