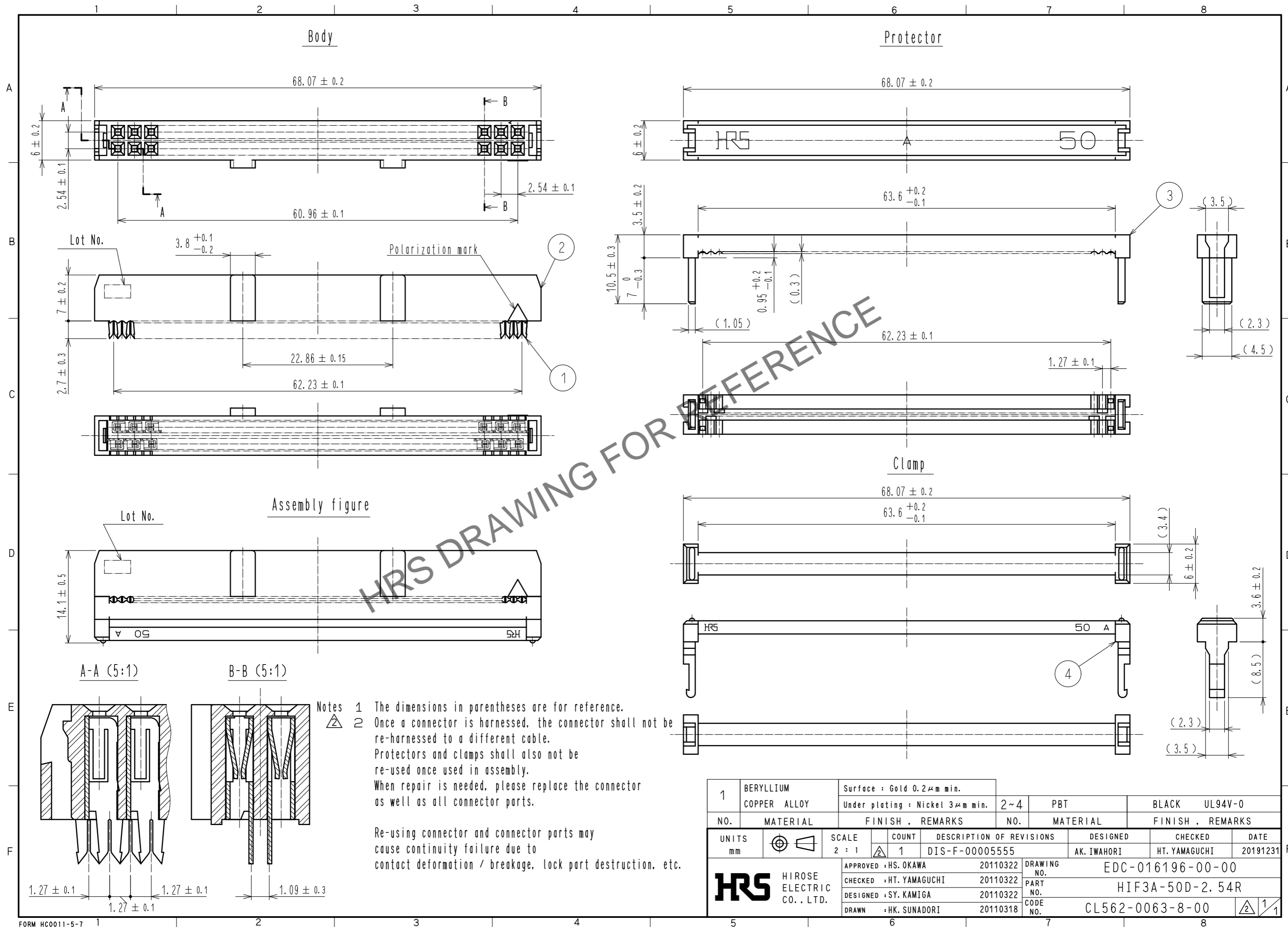


Aug.1.2024 Copyright 2024 HIROSE ELECTRIC CO., LTD. All Rights Reserved.
In case of consideration for using Automotive equipment / device which demand high reliability, kindly contact our sales window correspondents.



| | | | | | | |
|--------------------------------------|---------------------------|--|------------|--|-------------------------|--------------------------|
| 1 | BERYLLIUM COPPER ALLOY | Surface : Gold 0.2µm min. Under plating : Nickel 3µm min. | 2~4 | PBT | BLACK | UL94V-0 |
| NO. | MATERIAL | FINISH . REMARKS | NO. | MATERIAL | FINISH . REMARKS | |
| UNITS mm | | SCALE 2 : 1 | COUNT 1 | DESCRIPTION OF REVISIONS DIS-F-00005555 | DESIGNED AK. IWAHORI | CHECKED HT. YAMAGUCHI |
| HRS HIROSE ELECTRIC CO., LTD. | | APPROVED : HS. OKAWA | 20110322 | DRAWING NO. | EDC-016196-00-00 | |
| | | CHECKED : HT. YAMAGUCHI | 20110322 | PART NO. | HIF3A-50D-2.54R | |
| | | DESIGNED : SY. KAMIGA | 20110322 | CODE NO. | CL562-0063-8-00 | |
| | | DRAWN : HK. SUNADORI | 20110318 | | 1/1 | |