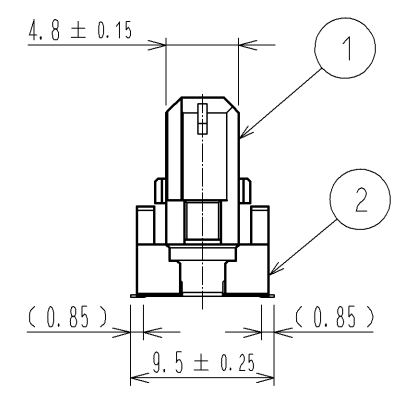
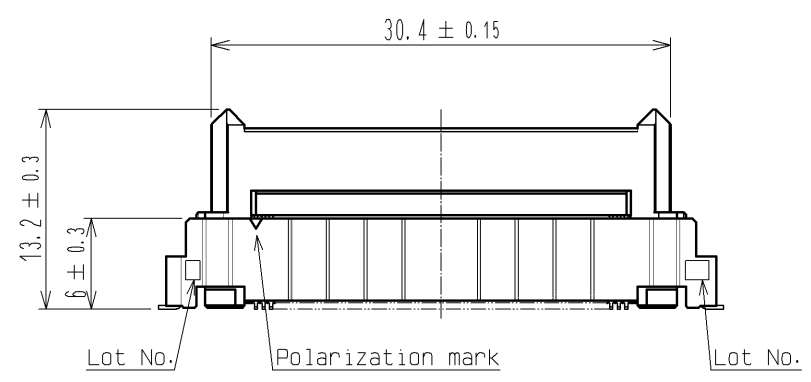
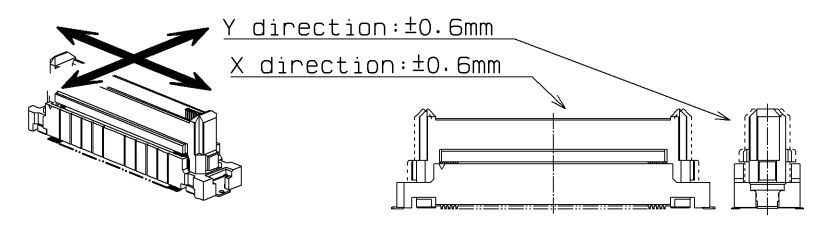
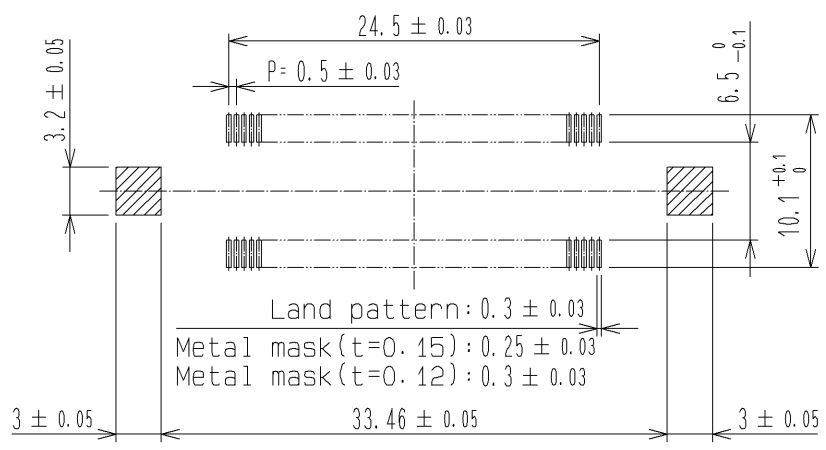
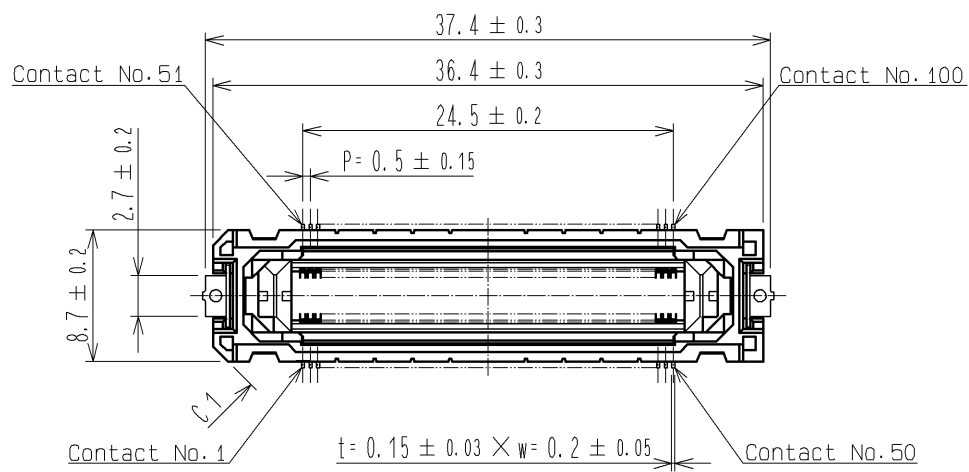


Jul.1.2024 Copyright 2024 HIROSE ELECTRIC CO., LTD. All Rights Reserved.
 In case of consideration for using Automotive equipment / device which demand high reliability, kindly contact our sales window correspondents.

RECOMMENDED LAND PATTERN DIMENSION OF PCB

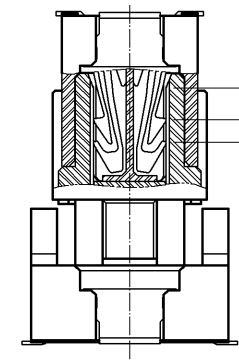
FLOATING RANGE



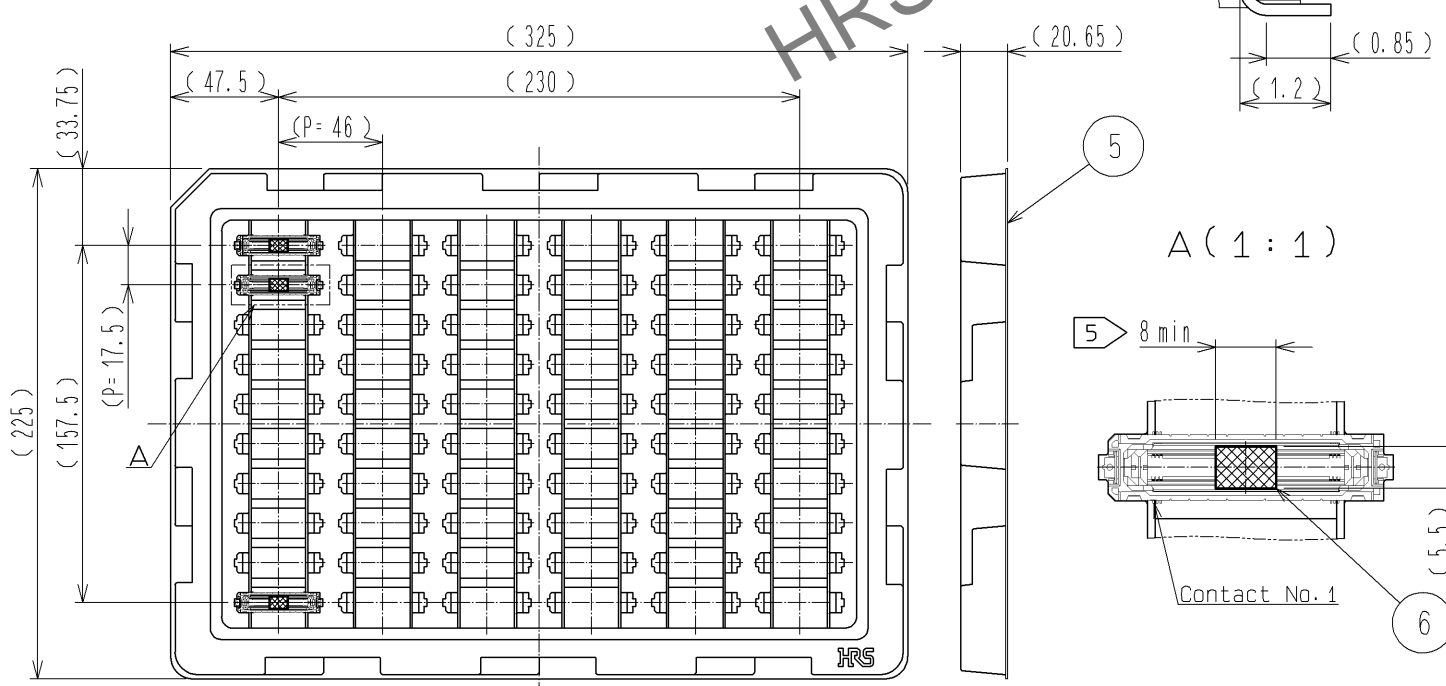
PCB DISTANCE (No scale)



CROSS SECTION OF MATING (No scale)



DRAWING FOR PACKING (No scale)



- 1 Lead CO-Planarity is 0.1mm MAX.
- 2 This is packaged in tray. (60pcs/tray)
- 3 Floating range of this connector is ±0.6mm MAX.
- 4 Blemish and hit mark can be occurred through out the manufacturing process which doesn't affect quality level.
- 5 It shows the vacuum pickup area. Remove the mylar tape before mating connectors.
- 6 Please note that excessive wrenching force could damage this connector. Please refer to the guideline for detailed regulations of the mating method.
- 7 The dimensions in parentheses are for references.
- 8 Please use the connectors within the specified PCB distance.

2	POLYAMIDE	BLACK	UL94V-0	6	POLYIMIDE	(TAPE FOR VACUUM PICKUP)
1	POLYAMIDE	BLACK	UL94V-0	5	POLYSTYRENE	(TRAY)
				4	BRASS	TIN-PLATING 1 μm
				3	COPPER ALLOY	CONTACT AREA: GOLD 0.1 μm LEAD AREA :GOLD 0.03 μm UNDER PLATING: NICKEL 1 μm
NO.	MATERIAL	FINISH	REMARKS	NO.	MATERIAL	FINISH . REMARKS
UNITS mm		SCALE 2 : 1		COUNT		DESCRIPTION OF REVISIONS
DESIGNED		CHECKED		DATE		
APPROVED : HS. OKAWA				14.06.09		DRAWING NO. EDC3-336322-01
CHECKED : KN. SHIBUYA				14.06.09		PART NO. FX20-100P-0.5SV15(10)
DESIGNED : TS. OONO				14.06.09		CODE NO. CL570-1004-9-10
DRAWN : TS. OONO				14.06.09		