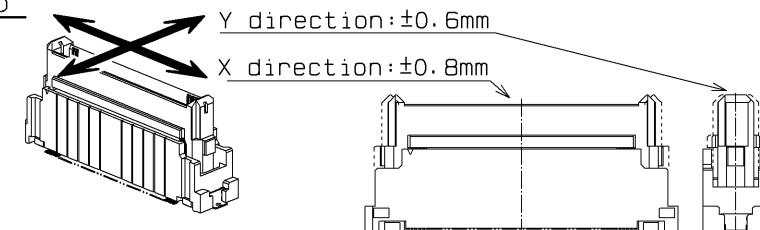
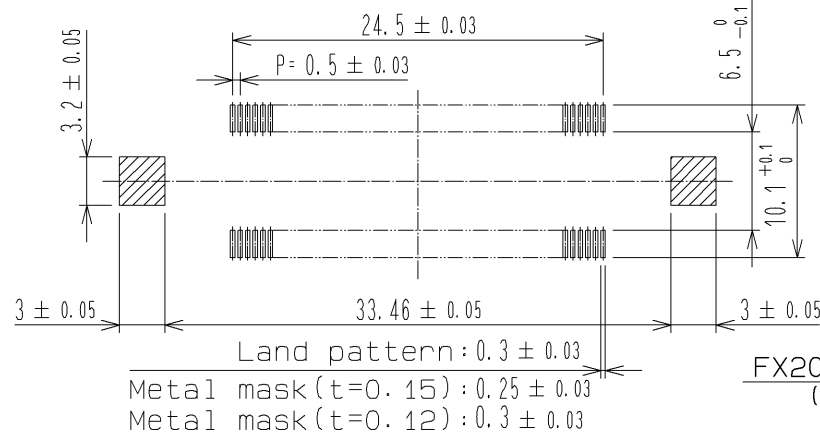
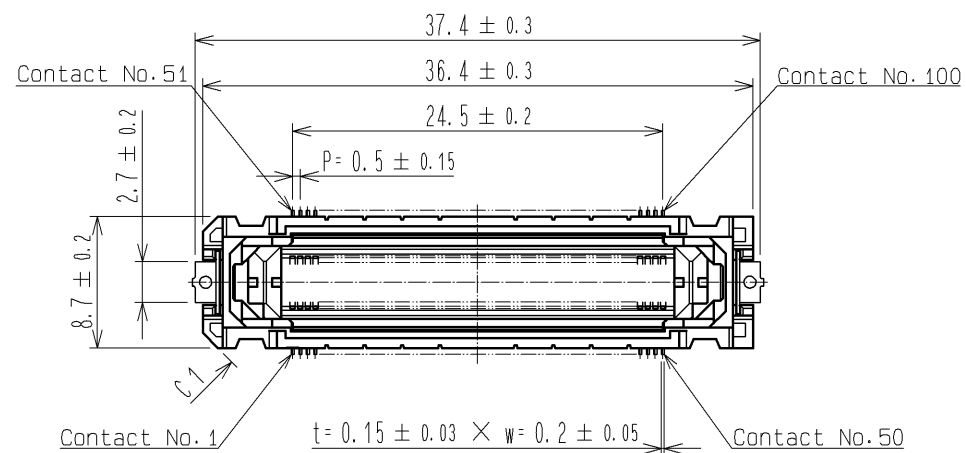


Jul.1.2024 Copyright 2024 HIROSE ELECTRIC CO., LTD. All Rights Reserved.
 In case of consideration for using Automotive equipment / device which demand high reliability, kindly contact our sales window correspondents.

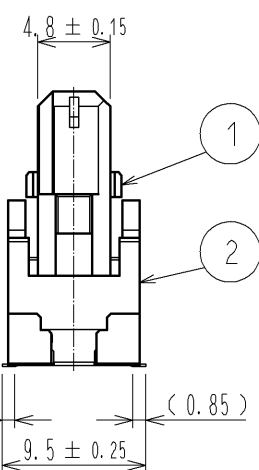
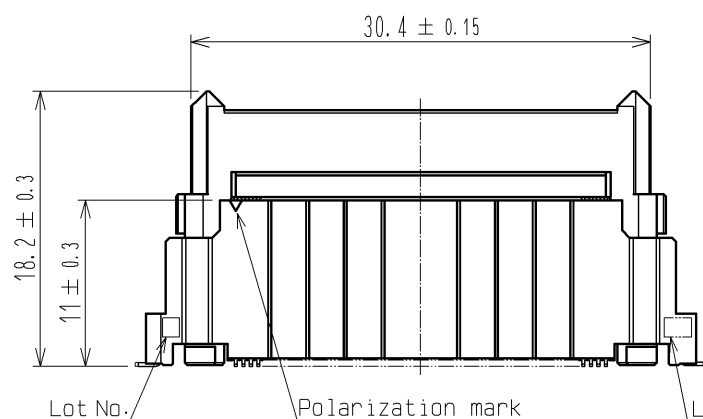
RECOMMENDED LAND PATTERN DIMENSION OF PCB

FLOATING RANGE

Y direction: ±0.6mm
 X direction: ±0.8mm

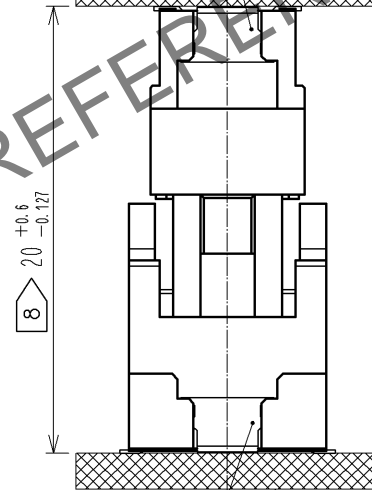


(1.5) 2nd contact: effective mating length
 (2.5) 1st contact: effective mating length

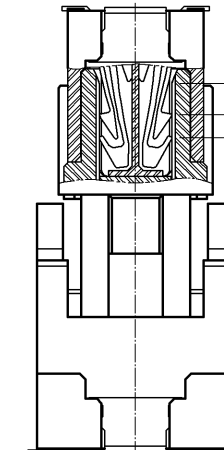
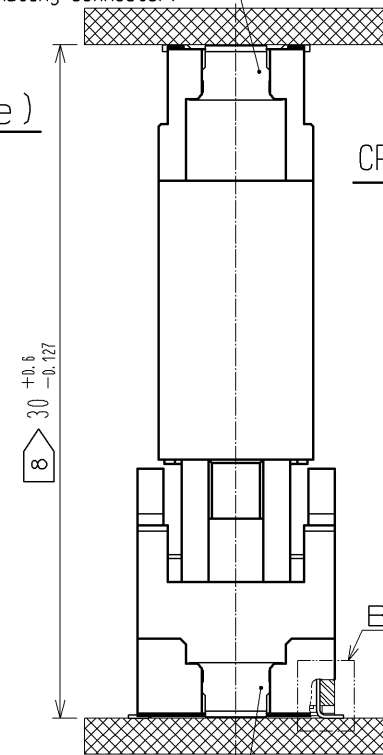


PCB DISTANCE (No scale)

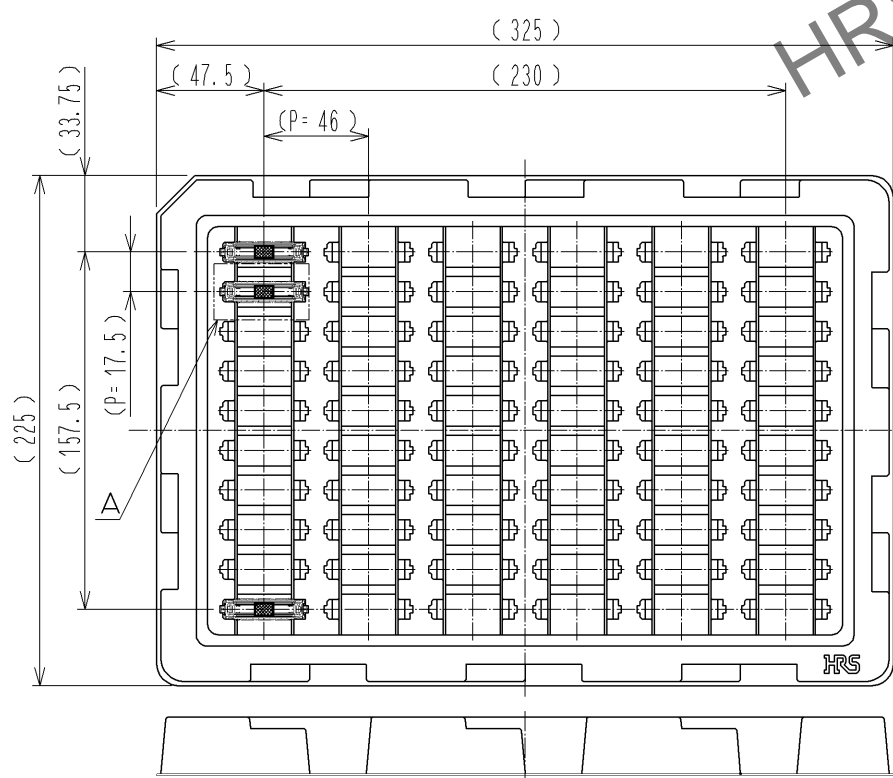
FX20-100S-0.5SV (Mating connector) PCB



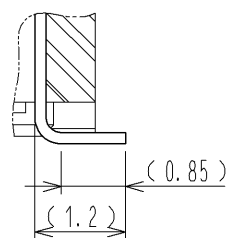
CROSS SECTION OF MATING (No scale)



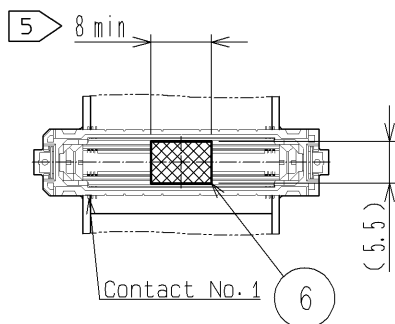
DRAWING FOR PACKING (No scale)



B (10:1)



A (1:1)



- Lead CO-Planarity is 0.1mm MAX.
- This is packaged in tray. (60pcs/tray)
- Floating range of this connector is ±0.8mm MAX in the X direction and ±0.6mm MAX in the Y direction.
- Blemish and hit mark can be occurred through out the manufacturing process which doesn't affect quality level.
- It shows the vacuum pickup area. Remove the mylar tape before mating connectors.
- Please note that excessive wrenching force could damage this connector. Please refer to the guideline for detailed regulations of the mating method.
- The dimensions in parentheses are for references.
- Please use the connectors within the specified PCB distance.

NO.	MATERIAL	FINISH	REMARKS	NO.	MATERIAL	FINISH	REMARKS
2	POLYAMIDE	BLACK	UL94V-0	6	POLYIMIDE		(TAPE FOR VACUUM PICKUP)
1	POLYAMIDE	BLACK	UL94V-0	5	POLYSTYRENE		(TRAY)
				4	BRASS		TIN-PLATING 1 μm
				3	COPPER ALLOY		CONTACT AREA: GOLD 0.1 μm LEAD AREA: GOLD 0.03 μm UNDER PLATING: NICKEL 1 μm

UNITS	SCALE	COUNT	DESCRIPTION OF REVISIONS	DESIGNED	CHECKED	DATE
mm	2:1	△				
APPROVED: HS. OKAWA			14.06.09	DRAWING NO. EDC3-336328-01		
CHECKED: KN. SHIBUYA			14.06.09	PART NO. FX20-100P-0.5SV20(10)		
DESIGNED: TS. OONO			14.06.09	CODE NO. CL570-1010-1-10		
DRAWN: TS. OONO			14.06.09			