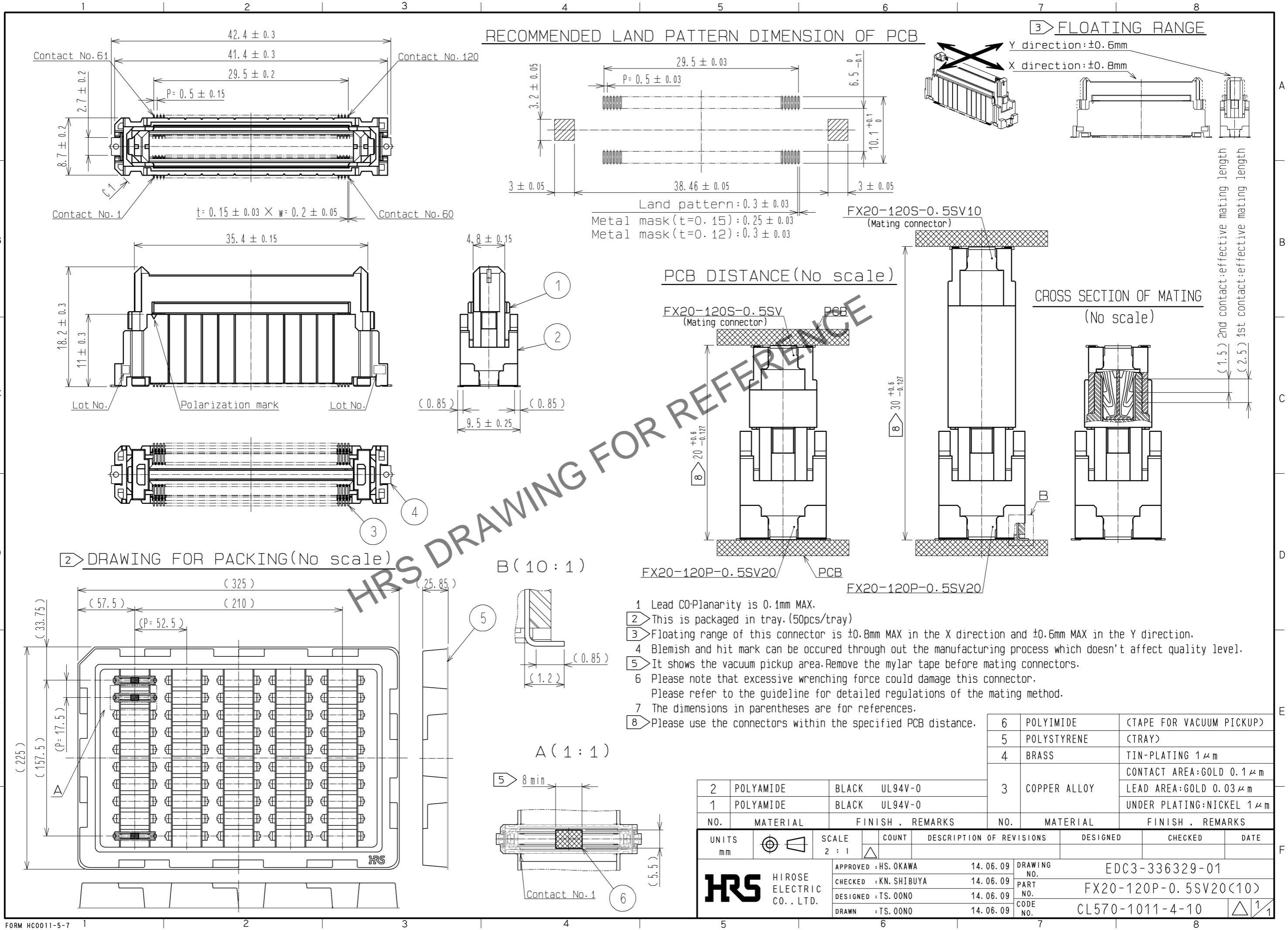


Jul.1.2024 Copyright 2024 HIROSE ELECTRIC CO., LTD. All Rights Reserved.
 In case of consideration for using Automotive equipment / device which demand high reliability, kindly contact our sales window correspondents.



NO.	MATERIAL	FINISH	REMARKS	NO.	MATERIAL	FINISH	REMARKS
2	POLYAMIDE	BLACK	UL94V-0	6	POLYIMIDE		(TAPE FOR VACUUM PICKUP)
1	POLYAMIDE	BLACK	UL94V-0	5	POLYSTYRENE		(TRAY)
				4	BRASS		TIN-PLATING 1 μm
				3	COPPER ALLOY		CONTACT AREA: GOLD 0.1 μm LEAD AREA: GOLD 0.03 μm UNDER PLATING: NICKEL 1 μm

UNITS	SCALE	COUNT	DESCRIPTION OF REVISIONS	DESIGNED	CHECKED	DATE
mm	2 : 1	△				
APPROVED : HS. OKAWA			14.06.09	DRAWING NO. EDC3-336329-01		
CHECKED : KN. SHIBUYA			14.06.09	PART NO. FX20-120P-0.5SV20(10)		
DESIGNED : TS. OONO			14.06.09	CODE NO. CL570-1011-4-10		
DRAWN : TS. OONO			14.06.09	1/1		